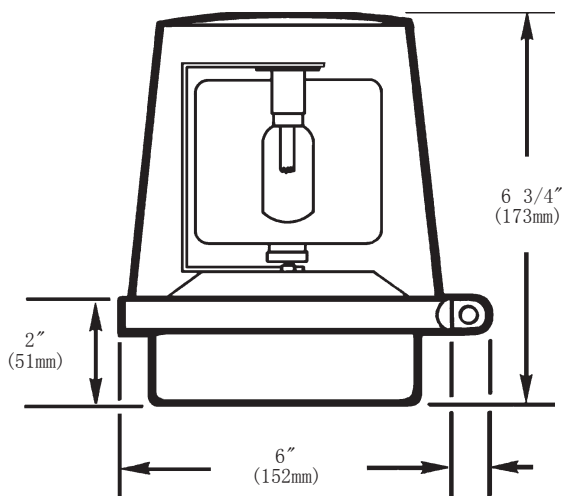


TECHNICAL INFORMATION

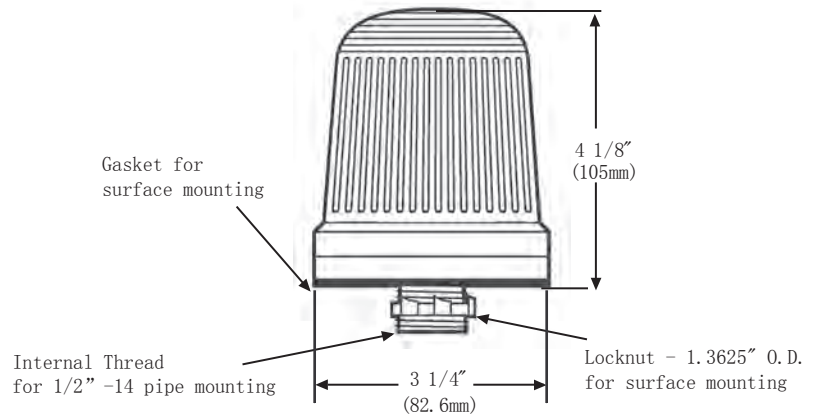


Cat. No.	Lens Color	Lamp Ratings	Revolution Rate	Electrical Ratings	Replacement Lamp Cat. No.
700-RA120	Amber	40 Watts (Max)	75 rpm	120V 50/60 Hz	Industry Std.
700-RB120	Blue	265 lumens*		0.35Amps	25T8DC
700-RC120	Clear	3328 candlepower			
700-RG120	Green	25,000 hours**			
700-RR120	Red				
700-RA240	Amber	40 Watts (Max)	75 rpm	220-240V	Industry Std.
700-RB240	Blue	265 lumens*		50/60 Hz	25T8DC
700-RC240	Clear	3328 candlepower		0.2 Amps	
700-RG240	Green	25,000 hours**			
700-RR240	Red				
700-RA24	Amber	25 Watts (Max)	75 rpm	24V DC	Industry Std.
700-RB24	Blue	226 lumens*		1.2Amps	1638
700-RC24	Clear	2839 candlepower			
700-RG24	Green	25,000 hours**			
700-RR24	Red				

* Manufacturer's lumen rating.

** Projected lamp life based on manufacturer's calculated lamp life @ 65 FPM and 50% duty cycle.

TECHNICAL INFORMATION



Cat. No.	Lens Color	Descriptions	Strobe Tube /Bulb	Peak Candlepower	Electrical Ratings
800-STA24	Amber	Strobe Lights	800-ST 1,500 hr*	175,000	24V DC 0.35 A
800-STB24	Blue				
800-STC24	Clear				
800-STG24	Green				
800-STR24	Red				
800-STA120	Amber	Strobe Lights	800-ST 1,500 hr*	175,000	120V AC 50/60Hz 0.10A
800-STB120	Blue				
800-STC120	Clear				
800-STG120	Green				
800-STR120	Red				
801-ISA24	Amber	Incandescent Steady Lights	Industry Std. 1692 (15W)	-	24VDC 0.67A
801-ISB24	Blue				
801-ISC24	Clear				
801-ISG24	Green				
801-ISR24	Red				
801-ISA120	Amber	Incandescent Steady Lights	Industry Std. 15T7DC (15W)	-	120V AC 50/60Hz 0.15 A
801-ISB120	Blue				
801-ISC120	Clear				
801-ISG120	Green				
801-ISR120	Red				
802-IFA24	Amber	Incandescent Flashing Lights	Industry Std. 1692 (15W)	-	24 VDC 0.61 A
802-IFB24	Blue				
802-IFC24	Clear				
802-IFG24	Green				
802-IFR24	Red				
802-IFA120	Amber	Incandescent Flashing Lights	Industry Std. 15T7DC (15W)	-	120V AC 50/60Hz 0.15 A
802-IFB120	Blue				
802-IFC120	Clear				
802-IFG120	Green				
802-IFR120	Red				

*Calculated strobe tube life operating power to 75% efficiency