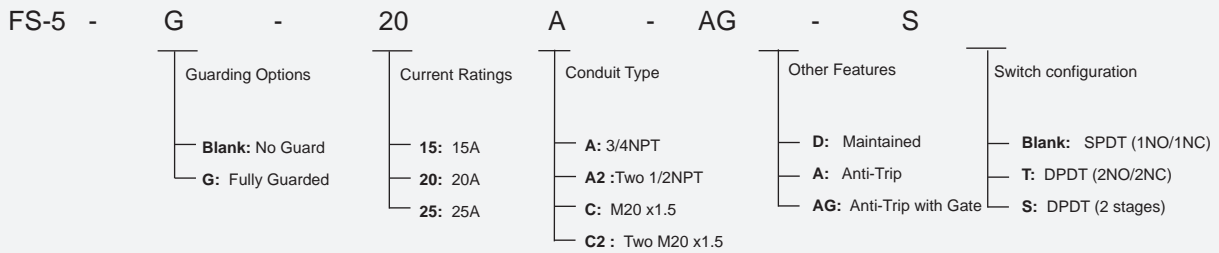


## FS-5 Series Heavy Duty Footswitches

### Features

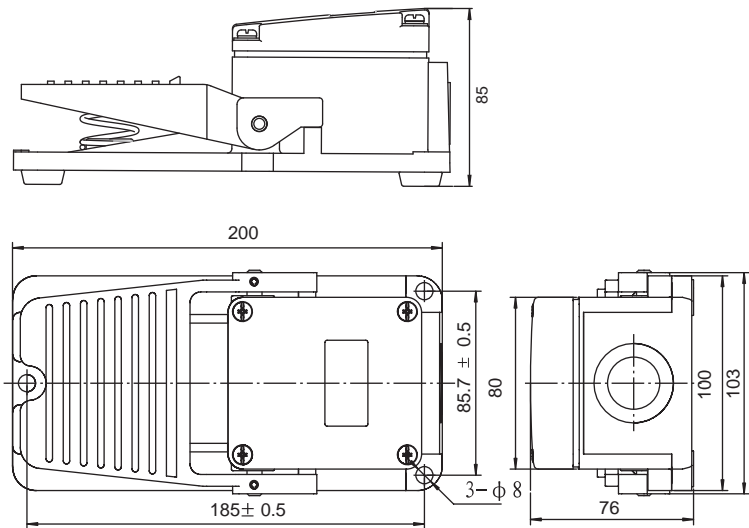
- Treadle and housing constructed from cast iron for strength and durability
- Strong cast aluminum guard construction
- Operating temperature range: -30°C to +80°C (-22°F to + 176°F)
- UL/cUL approved (E321073)
- EN60529 IP65 Rated (NEMA Type 2, 4, 13)
- Conduit available in: 3/4NPT, 1/2NPT, M20 (single or double)
- Features an anti-trip treadle mechanism that helps prevent accidental actuation through unintentional stepping on foot treadle
- Anti-skid rubber feet and 3 holes for rigid mounting to floor or equipment

### Selection Guide:



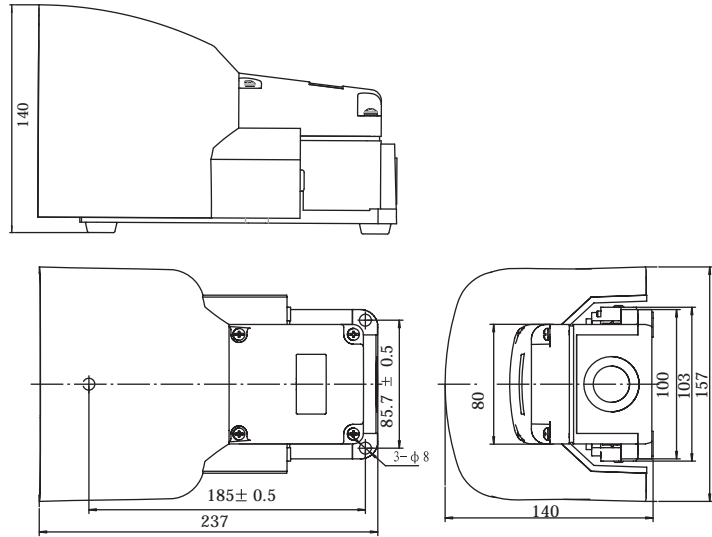
### Dimensions:

FS-5-20

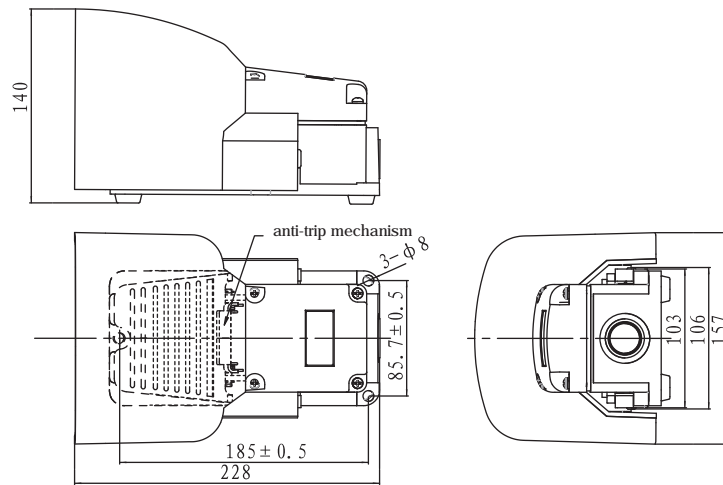


## FS-5 Series Heavy Duty Footswitches

FS-5G-20



FS-5G-20D(Maintained)



FS-5G-20A-AG(Anti-trip with gate)

