

FS-61 Series Footswitches

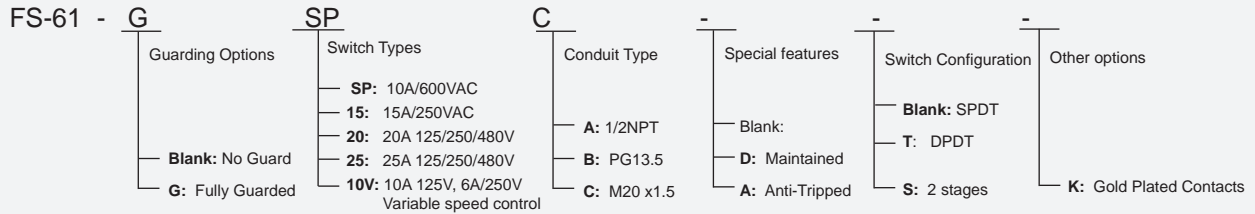
Features

- Robust aluminum alloy die cast body
- Choice of different type of contact blocks
- Water-proof to IP65 (IP68 available on special request)
- Galvanically separated contacts
- Screw terminals with self-lifting clamps for easy wiring
- Positive Opening of NC contacts
- Safety reset option available
- UL/cUL approval(E216958)
- Threaded Hole available in:

Specifications

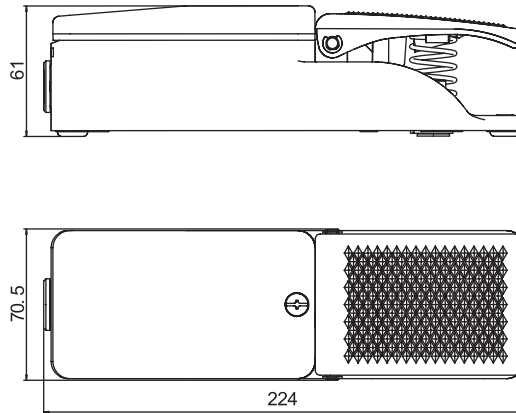
| | |
|-----------------------|--|
| Operating Frequency | 60 ops/min |
| Insulation Resistance | >100MΩ@500V DC |
| Contact Resistance | <25mΩ |
| Rated Current/Voltage | 10A/600V AC A600/AC15 Q300/DC13 |
| Inrush Current | Complies with IEC947-5-1: AC15/DC13 |
| Dielectric Strength | 1000VAC for 1 min between current carrying parts 2500VAC for 1 min between non-current carrying parts |
| Service Life | Mechanically 1 x 10 ⁷ (operations) Electrically 5 x 10 ⁵ (operations) |
| Operating Temperature | -30~+80°C (-22~176°F) |
| Degree of Protection | IP65 (IP68 available on request) |

Selection Guide:



Dimensions:

FS-61



FS-61G

