

## FS-62 Series Footswitches

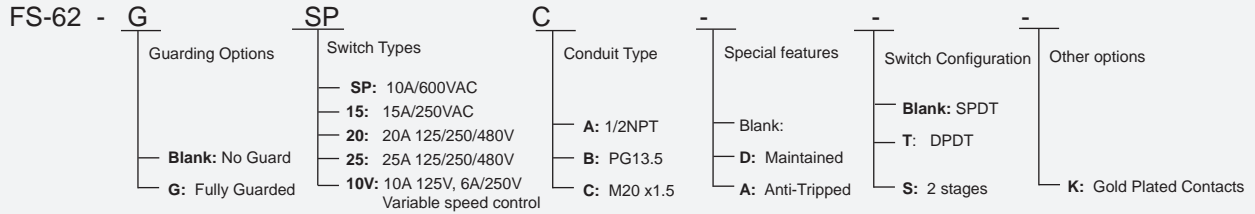
### Features

- Robust aluminum alloy die cast body
- Choice of different type of contact blocks
- Water-proof to IP65  
(IP68 available on special request)
- Galvanically separated contacts
- Screw terminals with self-lifting clamps for easy wiring
- Positive Opening of NC contacts
- Safety reset option available
- Threaded Hole available in:  
PG13.5, M20x1.5 and 1/2NPT

### Specifications

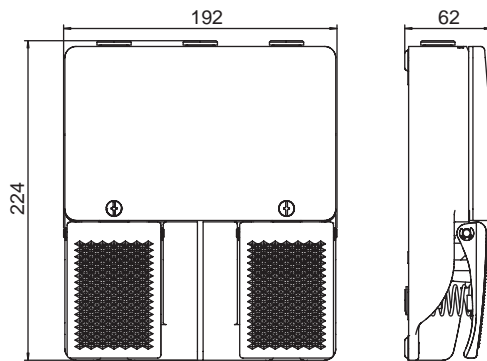
Operating Frequency	60 ops/min
Insulation Resistance	>100MΩ@500V DC
Contact Resistance	<25mΩ
Rated Current/Voltage	10A/600V AC A600/AC15 Q300/DC13
Inrush Current	Complies with IEC947-5-1: AC15/DC13
Dielectric Strength	1000VAC for 1 min between current carrying parts 2500VAC for 1 min between non-current carrying parts
Service Life	Mechanically 1 x 10 <sup>7</sup> (operations) Electrically 5 x 10 <sup>5</sup> (operations)
Operating Temperature	-30~+80°C (-22~176°F)
Degree of Protection	IP65 (IP68 available on request)

### Selection Guide:



### Dimensions:

FS-62



FS-62G

