

## FS-9 Series Compact Footswitches

### Features

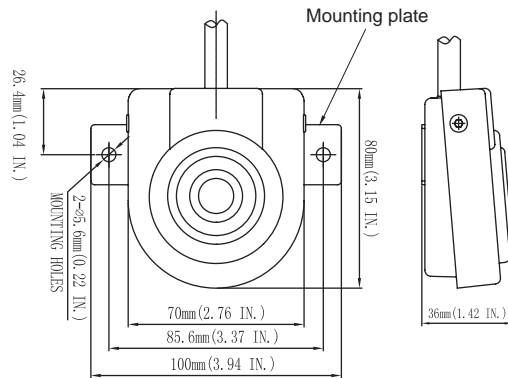
- Robust zinc die cast body or fiber reinforced plastic
- Four Switch ratings available:
  - 10A (1/2HP) 125/250V AC
  - 15A 125/250/480V AC
  - 20A, 1HP/125VAC, 2HP/250VAC
  - 25A, 1HP/125VAC, 2HP/250VAC
- Operating temperature range: -20°C to +80°C (-4°F to + 176°F)
- UL/cUL approved (E321073)

### Selection Guide:

|      |   |                |   |                                 |   |                                      |   |   |
|------|---|----------------|---|---------------------------------|---|--------------------------------------|---|---|
| FS91 | - | <u>10</u>      | - | <u>M</u>                        | - | <u>P</u>                             | - | <u>8-18/3</u>                           |
|      |   | Micro switches |   | Enclosure Type                  |   | Option #1                            |   | Wiring Information<br>e.g. 8 ft 18AWGx3 |
|      |   | 10: 10A        |   | Blank: Fiber reinforced Plastic |   | P: Supplied with 3 prong series plug |   |   |
|      |   | 15: 15A        |   | M: Zinc die cast                |   | G: with Protective Guard             |   |   |
|      |   | 20: 20A        |   |                                 |   | K: Gold plated contact               |   |   |

### Dimensions:

FS91-20



FS91G-20

