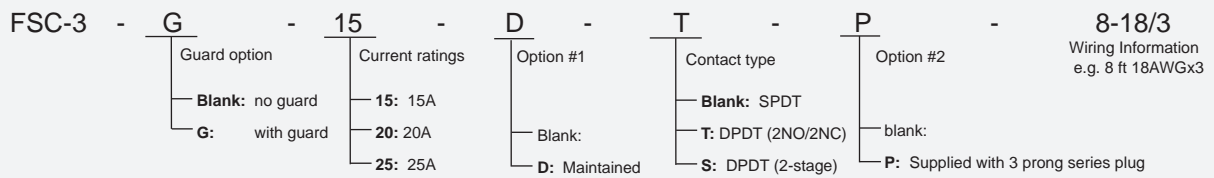


## FSC-3 Series Medium Duty Footswitches

### Features

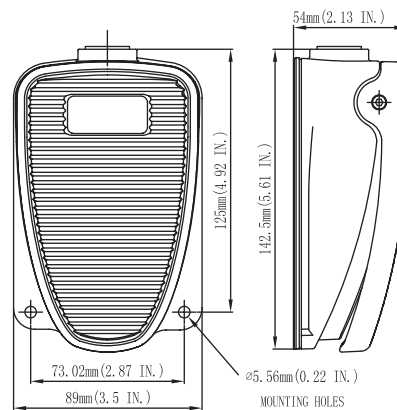
- Robust zinc metal die cast body
- Four Switch ratings available:
  - 10A (1/2HP) 125/250V AC
  - 15A 125/250/480V AC, 3/4HP 125VAC, 1.5HP 250VAC
  - 20A, 1.5HP/125VAC, 2HP/250VAC
  - 25A, 1.5HP/125VAC, 2HP/250VAC
- Operating temperature range: -30°C to +80°C (-22°F to + 176°F)
- UL/cUL approved (E321073)
- EN60529 IP65 rated (NEMA type 2, 4, 13)

### Selection Guide:



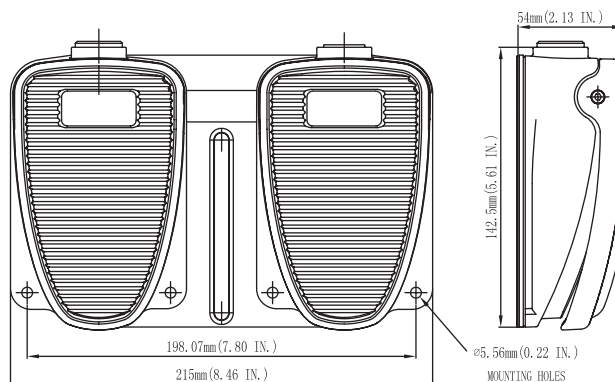
### Dimensions:

FSC-3-20

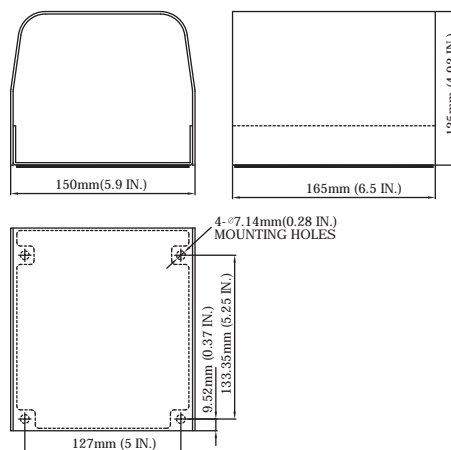


## FSC-3 Series Medium Duty Footswitches

FSC-3-20 (Twin)



FSC-3G-20



FSC-3G-20 (Twin)

