

COMPACT LIMIT SWITCHES SN5 SERIES

Features

- Designed for applications with small mounting space
- Highly rigid construction (head and cover snugly fit in box)
- Wide range of actuators available
- Pre-molded flexible cable gland for fast and simple wiring termination

Definitions of Operating Characteristics

OF	Operating Force	PT	Pretravel
RF	Releasing Force	MD	Movement Differential
OT	Overtravel	OP	Operating Position
TT	Total Travel		

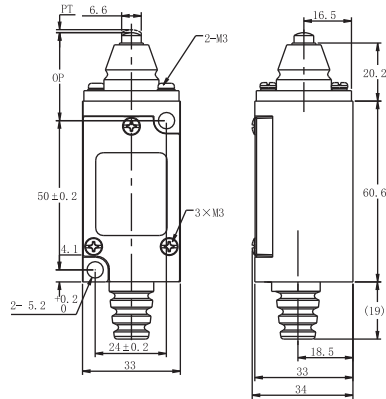
Specifications

Operating Speed	0.05mm-2m/sec
Operating Frequency	Mechanical: 120ops/min Electrical: 30 ops/min
Insulation Resistance	>100MΩ@500V DC
Contact Resistance	<25mΩ (initial value)
Rated Voltage	250V AC (EN60947-5-1)
Rated Current	10A
Dielectric Strength	1000VAC for 1 min between current carrying parts 2500VAC for 1 min between non-current carrying parts
Service Life	Mechanically 1.0 x10 ⁷ (operations) Electrically 5 x10 ⁵ (operations)
Operating Temperature	-10~+80°C (14~176°F)
Humidity	< 95%RH
Weight	240-290g
Degree of Protection	IP65

Dimensions Unit: mm

<p>SN5104</p> <p>Snap Action</p> <p>13 14 21 22</p> <p>Operating Characteristics</p> <table border="0"> <tr><td>OF_{max}</td><td>7.35N</td></tr> <tr><td>RF_{min}</td><td>0.98N</td></tr> <tr><td>PT_{max}</td><td>20°</td></tr> <tr><td>OT_{min}</td><td>50°</td></tr> <tr><td>MD_{max}</td><td>12°</td></tr> </table>	OF _{max}	7.35N	RF _{min}	0.98N	PT _{max}	20°	OT _{min}	50°	MD _{max}	12°	<p>SN5108</p> <p>Snap Action</p> <p>13 14 21 22</p> <p>Operating Characteristics</p> <table border="0"> <tr><td>OF_{max}</td><td>7.35N</td></tr> <tr><td>RF_{min}</td><td>0.98N</td></tr> <tr><td>PT_{max}</td><td>20°</td></tr> <tr><td>OT_{min}</td><td>50°</td></tr> <tr><td>MD_{max}</td><td>12°</td></tr> </table>	OF _{max}	7.35N	RF _{min}	0.98N	PT _{max}	20°	OT _{min}	50°	MD _{max}	12°
OF _{max}	7.35N																				
RF _{min}	0.98N																				
PT _{max}	20°																				
OT _{min}	50°																				
MD _{max}	12°																				
OF _{max}	7.35N																				
RF _{min}	0.98N																				
PT _{max}	20°																				
OT _{min}	50°																				
MD _{max}	12°																				

COMPACT LIMIT SWITCHES SN5 SERIES



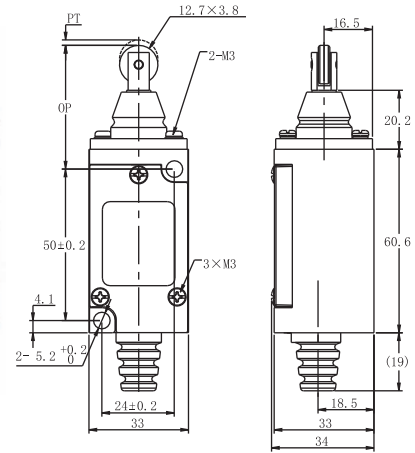
SN5111

Snap Action

 13 14
 21 22

Operating Characteristics

OF_{max} 8.83N
 RF_{min} 1.47N
 PT_{max} 1.5mm
 OT_{min} 4mm
 MD_{max} 1mm



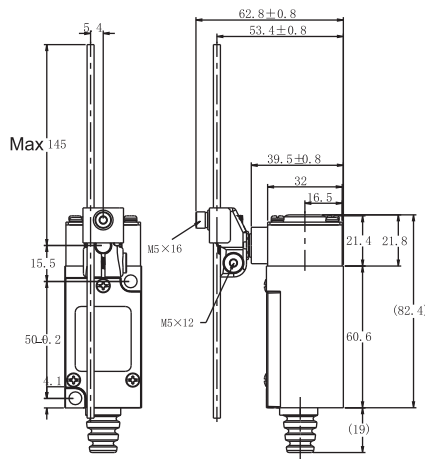
SN5112

Snap Action

 13 14
 21 22

Operating Characteristics

OF_{max} 8.83N
 RF_{min} 1.47N
 PT_{max} 1.5mm
 OT_{min} 4mm
 MD_{max} 1mm



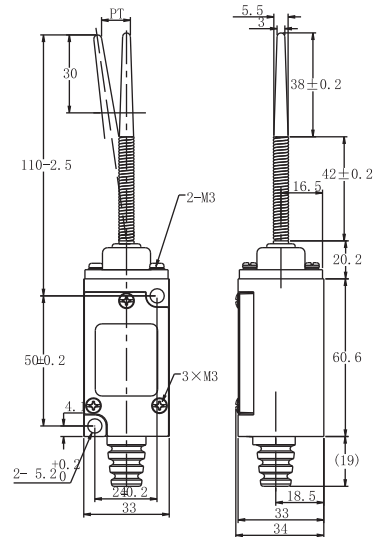
SN5107

Snap Action

 13 14
 21 22

Operating Characteristics

OF_{max} 7.35N
 RF_{min} 0.98N
 PT_{max} 20°
 OT_{min} 50°
 MD_{max} 12°



SN5166

Snap Action

 13 14
 21 22

Operating Characteristics

OF_{max} 1.47N
 PT_{max} 30mm