

## METAL BODIED SAFETY LIMIT SWITCHES SN62 SERIES

*SUNS products help to make factories run more efficiently, product manufacturing smarter, and automation environments more productive.*



### Features

- Aluminum die cast body
- Earth grounding surface on same level as switching
- Easily interchangeable contact block
- Galvanically separated contacts
- Screw terminals with self-lifting clamps for easy wiring
- Positive Opening of NC contacts
- 4 x 90° actuator positions
- Cable entry available: M20, PG13.5 and 1/2"NPT

### Definitions of Operating Characteristics

- OF Operating Force
- RF Releasing Force
- OT Overtravel
- TT Total Travel
- PT Pretravel
- MD Movement Differential
- OP Operating Position
- PO Travel to Positive Opening



### Specifications

Operating Speed	0.05mm-2m/sec
Operating Frequency	Mechanical: 120ops/min Electrical: 30 ops/min
Insulation Resistance	>100MΩ@500V DC
Contact Resistance	<25mΩ (initial value)
Rated Current/Voltage	10A/600V AC (EN60947-5-1) UL/cUL Listed (E216958) AC15 A600 / DC13 Q300
Dielectric Strength	1000VAC for 1 min between current carrying parts 2500VAC for 1 min between non-current carrying parts
Service Life	Mechanically 1.0 x10 <sup>7</sup> (operations) Electrically 5 x10 <sup>5</sup> (operations)
Operating Temperature	-25~+80°C (-13~176°F) with no icing
Humidity	< 95%RH
Weight	220-300g
Degree of Protection	IP67

### Selection Guide:

**SN62**

Body Styles

**04**

Head Styles

**SP**

Contact Block

- SP\* 1N0/1NC Snap action
- SL\* BBM 1N0/1NC Slow Action changeover
- SL1\*MBB 1N0/1NC Slow Action Overlapping
- SL2\*2NC Slow Action
- SL3\*2N0 Slow Action
- SL4\*3NC Slow Action
- SL5\*3N0 Slow Action
- SL6\*BBM 2NC/1N0 Slow Action changeover
- SL7\*MBB 2NC/1N0 Slow Action Overlapping
- SL8\*BBM 2N0/1NC Slow Action changeover
- SL9\*MBB 2N0/1NC Slow Action Overlapping

**C**

Conduits

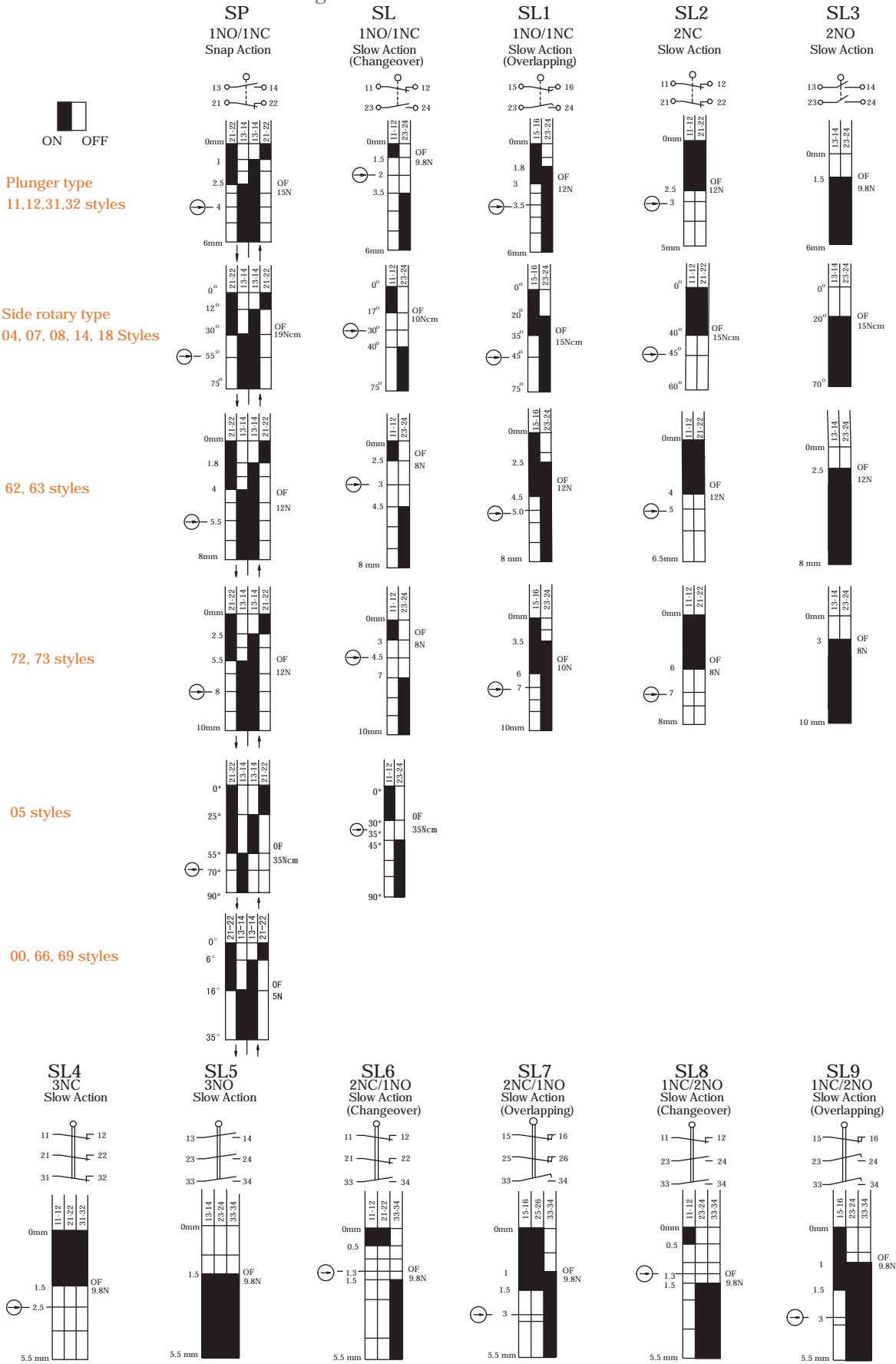
- A: 1/2"NPT
- B: PG13.5
- C: M20

**R**

- Blank
- R: with Reset

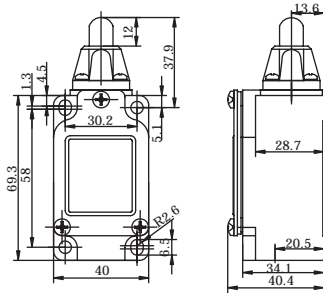
## METAL BODIED SAFETY LIMIT SWITCHES SN62 SERIES

Available contact blocks and travel diagrams



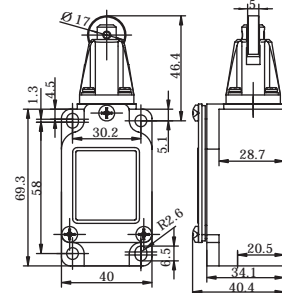
## METAL BODIED SAFETY LIMIT SWITCHES SN62 SERIES

### SN6211



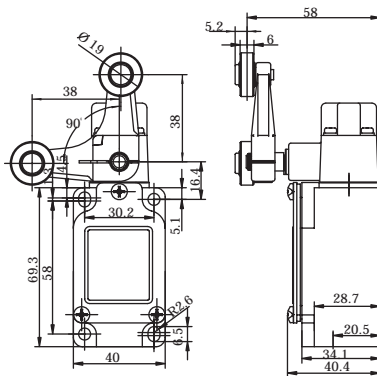
Order Code	Contact block			
SN6211-SP- _	SP		snap action	1NO+1NC
SN6211-SL- _	SL		slow action	1NO+1NC BBM
SN6211-SL1- _	SL1		slow action	1NO+1NC MBB
SN6211-SL2- _	SL2		slow action	2NC

### SN6212



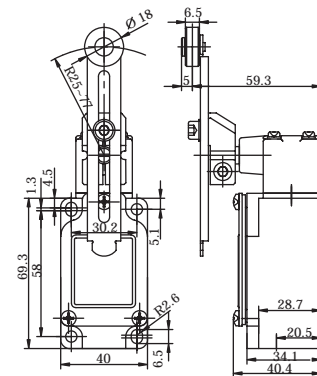
Order Code	Contact block			
SN6212-SP- _	SP		snap action	1NO+1NC
SN6212-SL- _	SL		slow action	1NO+1NC BBM
SN6212-SL1- _	SL1		slow action	1NO+1NC MBB
SN6212-SL2- _	SL2		slow action	2NC

### SN6205



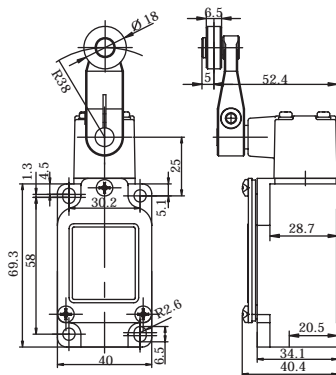
Order Code	Contact block			
SN6205-SP- _	SP		snap action	1NO+1NC
SN6205-SL- _	SL		slow action	1NO+1NC BBM

### SN6208



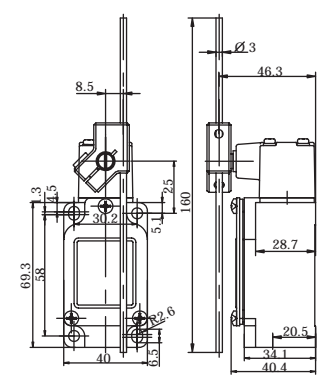
Order Code	Contact block			
SN6208-SP- _	SP		snap action	1NO+1NC
SN6208-SL- _	SL		slow action	1NO+1NC BBM
SN6208-SL1- _	SL1		slow action	1NO+1NC MBB
SN6208-SL2- _	SL2		slow action	2NC

### SN6204



Order Code	Contact block			
SN6204-SP- _	SP		snap action	1NO+1NC
SN6204-SL- _	SL		slow action	1NO+1NC BBM
SN6204-SL1- _	SL1		slow action	1NO+1NC MBB
SN6204-SL2- _	SL2		slow action	2NC

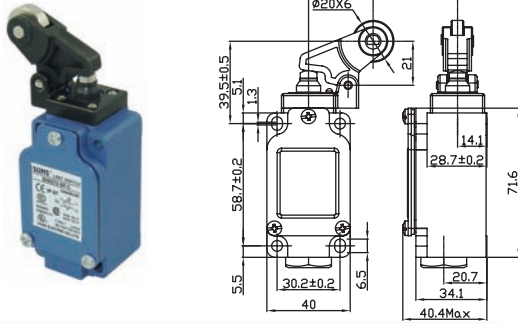
### SN6207



Order Code	Contact block			
SN6207-SP- _	SP		snap action	1NO+1NC
SN6207-SL- _	SL		slow action	1NO+1NC BBM
SN6207-SL1- _	SL1		slow action	1NO+1NC MBB
SN6207-SL2- _	SL2		slow action	2NC

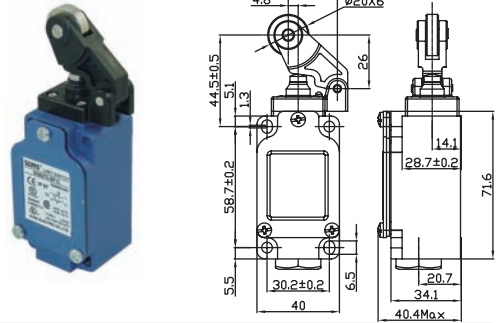
## METAL BODIED SAFETY LIMIT SWITCHES SN62 SERIES

SN6272



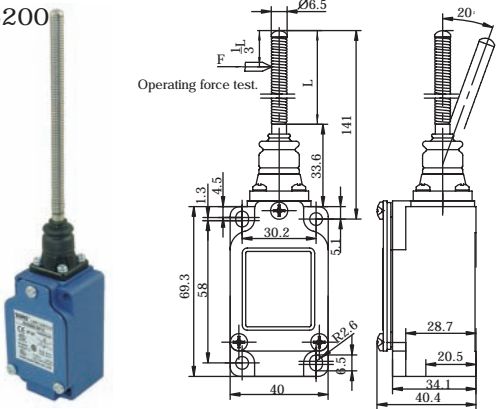
Order Code	Contact block			
SN6272-SP- _	SP	⊕	snap action	1NO+1NC
SN6272-SL- _	SL	⊕	slow action	1NO+1NC BBM
SN6272-SL1- _	SL1	⊕	slow action	1NO+1NC MBB
SN6272-SL2- _	SL2	⊕	slow action	2NC

SN6273



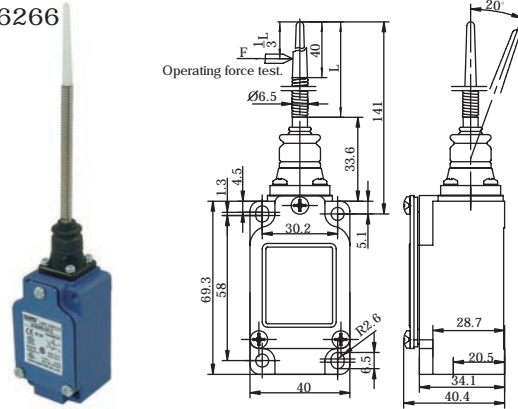
Order Code	Contact block			
SN6273-SP- _	SP	⊕	snap action	1NO+1NC
SN6273-SL- _	SL	⊕	slow action	1NO+1NC BBM
SN6273-SL1- _	SL1	⊕	slow action	1NO+1NC MBB
SN6273-SL2- _	SL2	⊕	slow action	2NC

SN6200



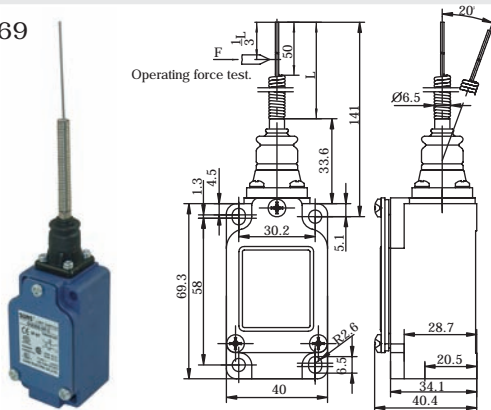
Order Code	Contact block			
SN6200-SP- _	SP	⊕	snap action	1NO+1NC

SN6266



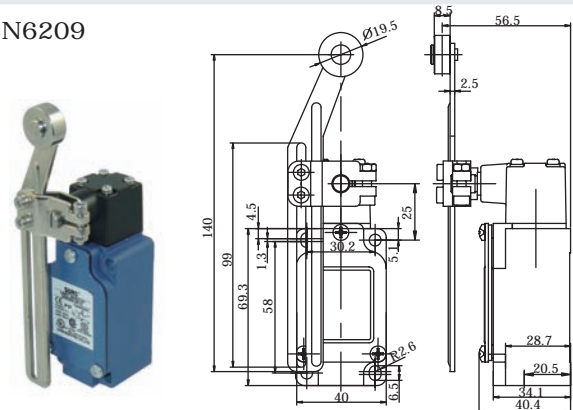
Order Code	Contact block			
SN6266-SP- _	SP	⊕	snap action	1NO+1NC

SN6269



Order Code	Contact block			
SN6269-SP- _	SP	⊕	snap action	1NO+1NC

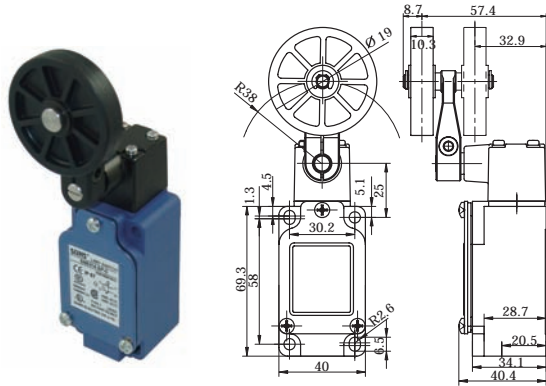
SN6209



Order Code	Contact block			
SN6209-SP- _	SP	⊕	snap action	1NO+1NC
SN6209-SL- _	SL	⊕	slow action	1NO+1NC BBM
SN6209-SL1- _	SL1	⊕	slow action	1NO+1NC MBB
SN6209-SL2- _	SL2	⊕	slow action	2NC

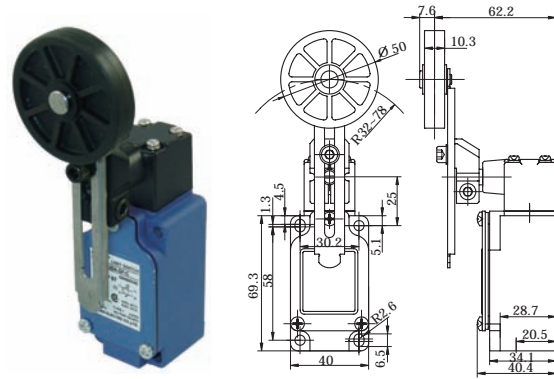
## METAL BODIED SAFETY LIMIT SWITCHES SN62 SERIES

### SN6214



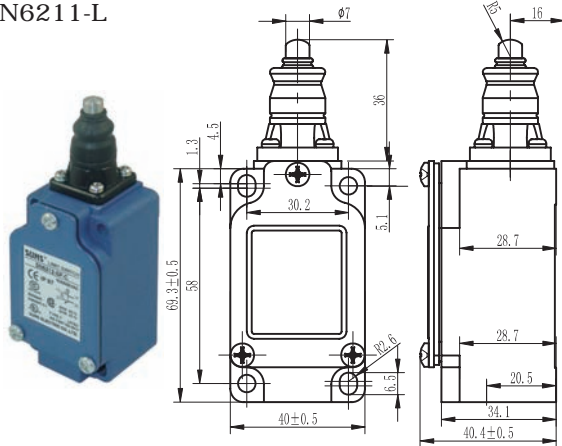
Order Code	Contact block			
SN6214-SP- _	SP	⊕	snap action	1NO+1NC
SN6214-SL- _	SL	⊕	slow action	1NO+1NC BBM
SN6214-SL1- _	SL1	⊕	slow action	1NO+1NC MBB
SN6214-SL2- _	SL2	⊕	slow action	2NC

### SN6218



Order Code	Contact block			
SN6218-SP- _	SP	⊕	snap action	1NO+1NC
SN6218-SL- _	SL	⊕	slow action	1NO+1NC BBM
SN6218-SL1- _	SL1	⊕	slow action	1NO+1NC MBB
SN6218-SL2- _	SL2	⊕	slow action	2NC

### SN6211-L



Order Code	Contact block			
SN6211-SP- _L	SP	⊕	snap action	1NO+1NC
SN6211-SL- _L	SL	⊕	slow action	1NO+1NC BBM
SN6211-SL1- _L	SL1	⊕	slow action	1NO+1NC MBB
SN6211-SL2- _L	SL2	⊕	slow action	2NC