

GLOBAL STYLE SAFETY LIMIT SWITCHES (Metal Bodied EN50041 COMPATIBLE) SN63 SERIES (3 - CONDUIT ENTRY)

SUNS products help to make factories run more efficiently, product manufacturing smarter, and automation environments more productive.



Features

- Zinc die cast body
- Earth grounding surface on same level as switching
- Easily interchangeable contact block
- Galvanically separated contacts
- Screw terminals with self-lifting clamps for easy wiring
- Positive Opening of NC contacts
- 4 x 90° actuator positions
- Cable entry available: M20, PG13.5 and 1/2"NPT
- Conform to EN 50041 standard

Definitions of Operating Characteristics

- OF Operating Force
- RF Releasing Force
- OT Overtravel
- TT Total Travel
- PT Pretravel
- MD Movement Differential
- OP Operating Position
- PO Travel to Positive Opening



Specifications

Operating Speed	0.05mm-2m/sec
Operating Frequency	Mechanical: 120ops/min Electrical: 30 ops/min
Insulation Resistance	>100MΩ@500V DC
Contact Resistance	<25mΩ (initial value)
Rated Current/Voltage	10A/600V AC (EN60947-5-1) UL/cUL Listed (E216958) AC15 A600 / DC13 Q300
Dielectric Strength	1000VAC for 1 min between current carrying parts 2500VAC for 1 min between non-current carrying parts
Service Life	Mechanically 1.0 x10 ⁷ (operations) Electrically 5 x10 ⁵ (operations)
Operating Temperature	-25~+80°C (-13~176°F) with no icing
Humidity	< 95%RH
Weight	450-530g
Degree of Protection	IP67

Selection Guide:

SN63

Body Styles

04

Head Styles

SP

Contact Block

- SP* 1N0/1NC Snap action
- SL* BBM 1N0/1NC Slow Action changeover
- SL1*MBB 1N0/1NC Slow Action Overlapping
- SL2*2NC Slow Action
- SL3*2N0 Slow Action
- SL4*3NC Slow Action
- SL5*3N0 Slow Action
- SL6*BBM 2NC/1N0 Slow Action changeover
- SL7*MBB 2NC/1N0 Slow Action Overlapping
- SL8*BBM 2N0/1NC Slow Action changeover
- SL9*MBB 2N0/1NC Slow Action Overlapping

C

Conduits

- A: 1/2"NPT
- B: PG13.5
- C: M20

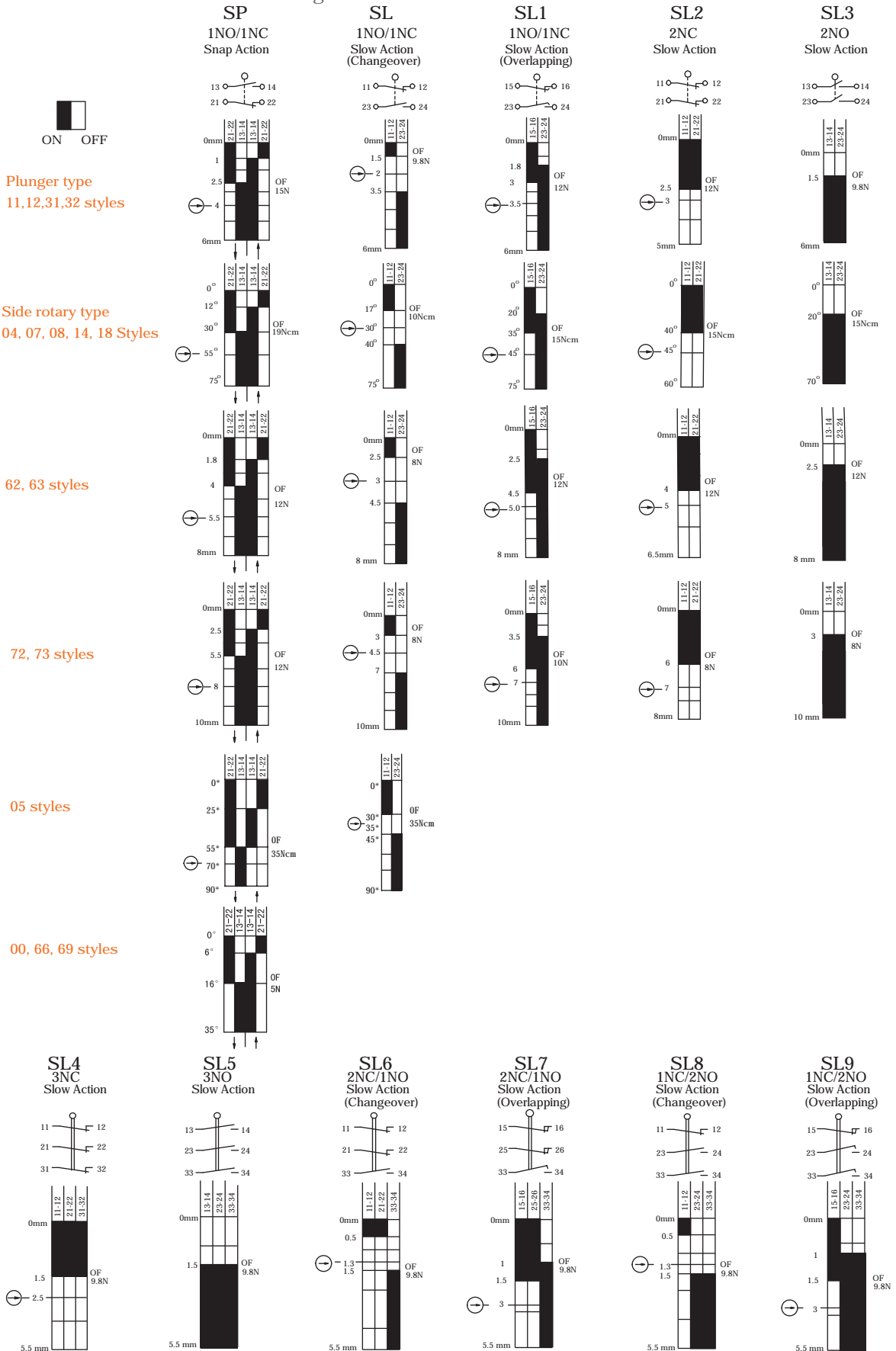
-

R

- Blank
- R: with Reset

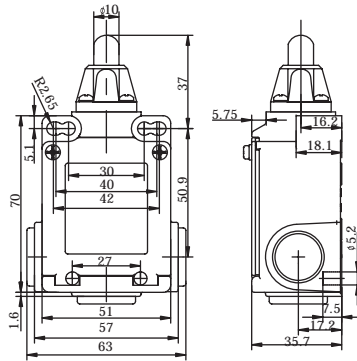
GLOBAL STYLE SAFETY LIMIT SWITCHES (Metal Bodied EN50041 COMPATIBLE) SN63 SERIES (3 - CONDUIT ENTRY)

Available contact blocks and travel diagrams



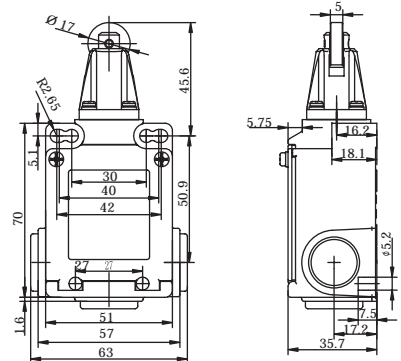
GLOBAL STYLE SAFETY LIMIT SWITCHES (Metal Bodied EN50041 COMPATIBLE) SN63 SERIES (3 - CONDUIT ENTRY)

SN6311



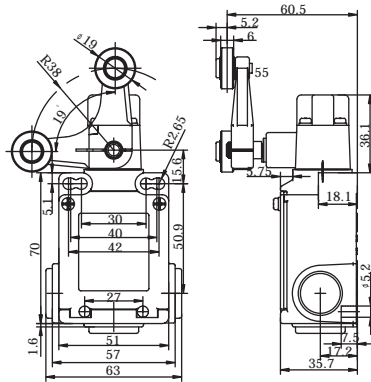
Order Code	Contact block			
SN6311-SP- _	SP		snap action	1NO+1NC
SN6311-SL- _	SL		slow action	1NO+1NC BBM
SN6311-SL1- _	SL1		slow action	1NO+1NC MBB
SN6311-SL2- _	SL2		slow action	2NC

SN6312



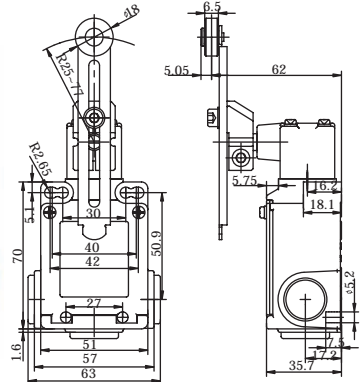
Order Code	Contact block			
SN6312-SP- _	SP		snap action	1NO+1NC
SN6312-SL- _	SL		slow action	1NO+1NC BBM
SN6312-SL1- _	SL1		slow action	1NO+1NC MBB
SN6312-SL2- _	SL2		slow action	2NC

SN6305



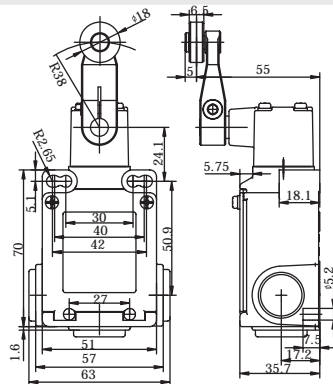
Order Code	Contact block			
SN6305-SP- _	SP		snap action	1NO+1NC
SN6305-SL- _	SL		slow action	1NO+1NC BBM

SN6308



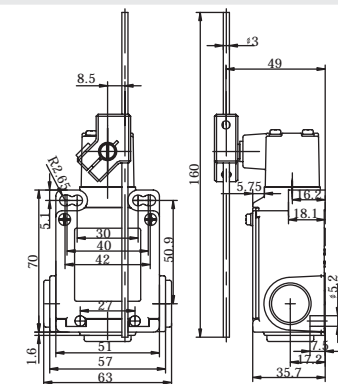
Order Code	Contact block			
SN6308-SP- _	SP		snap action	1NO+1NC
SN6308-SL- _	SL		slow action	1NO+1NC BBM
SN6308-SL1- _	SL1		slow action	1NO+1NC MBB
SN6308-SL2- _	SL2		slow action	2NC

SN6304



Order Code	Contact block			
SN6304-SP- _	SP		snap action	1NO+1NC
SN6304-SL- _	SL		slow action	1NO+1NC BBM
SN6304-SL1- _	SL1		slow action	1NO+1NC MBB
SN6304-SL2- _	SL2		slow action	2NC

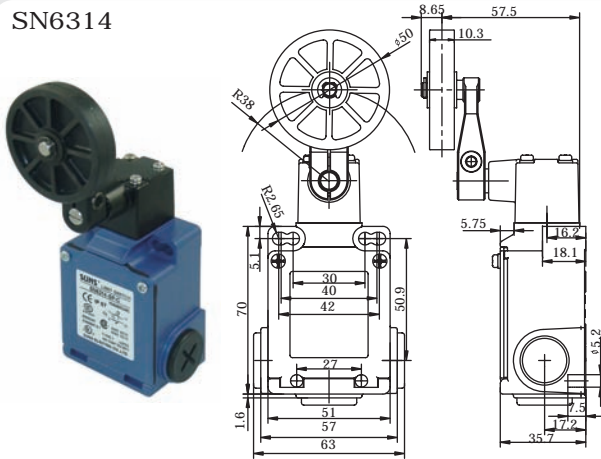
SN6307



Order Code	Contact block			
SN6307-SP- _	SP		snap action	1NO+1NC
SN6307-SL- _	SL		slow action	1NO+1NC BBM
SN6307-SL1- _	SL1		slow action	1NO+1NC MBB
SN6307-SL2- _	SL2		slow action	2NC

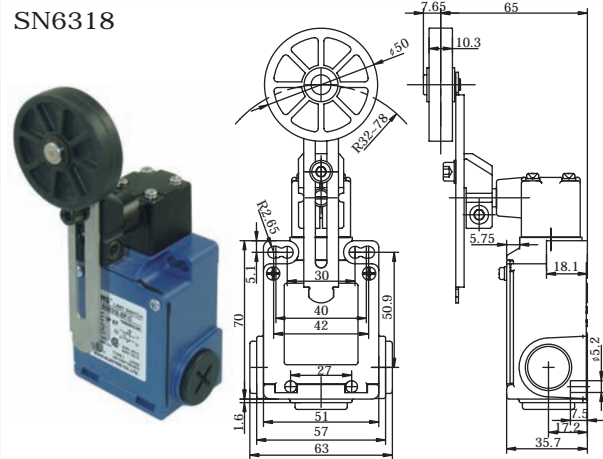
GLOBAL STYLE SAFETY LIMIT SWITCHES (Metal Bodied EN50041 COMPATIBLE) SN63 SERIES (3 - CONDUIT ENTRY)

SN6314



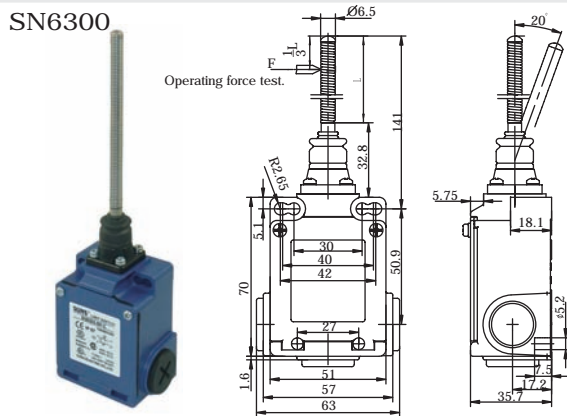
Order Code	Contact block			
SN6314-SP- _	SP	⊕	snap action	1NO+1NC
SN6314-SL- _	SL	⊕	slow action	1NO+1NC BBM
SN6314-SL1- _	SL1	⊕	slow action	1NO+1NC MBB
SN6314-SL2- _	SL2	⊕	slow action	2NC

SN6318



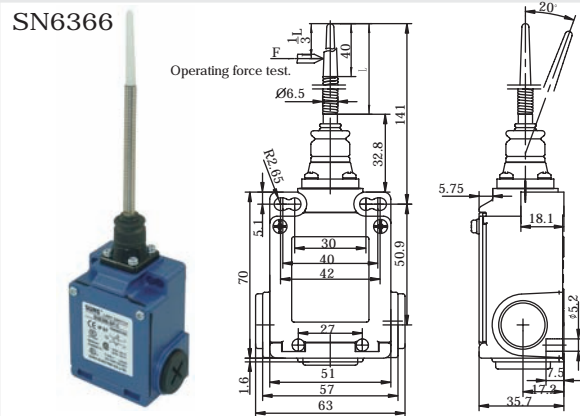
Order Code	Contact block			
SN6318-SP- _	SP	⊕	snap action	1NO+1NC
SN6318-SL- _	SL	⊕	slow action	1NO+1NC BBM
SN6318-SL1- _	SL1	⊕	slow action	1NO+1NC MBB
SN6318-SL2- _	SL2	⊕	slow action	2NC

SN6300



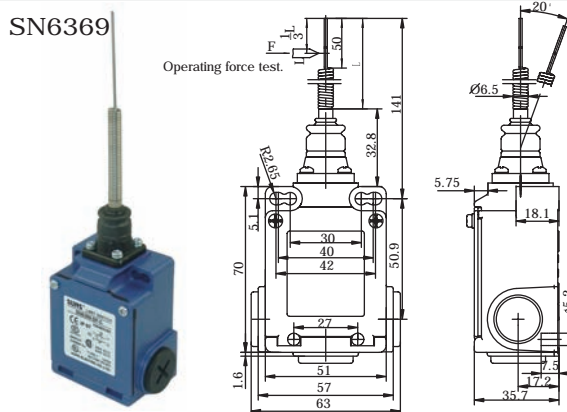
Order Code	Contact block			
SN6300-SP- _	SP	⊕	snap action	1NO+1NC

SN6366



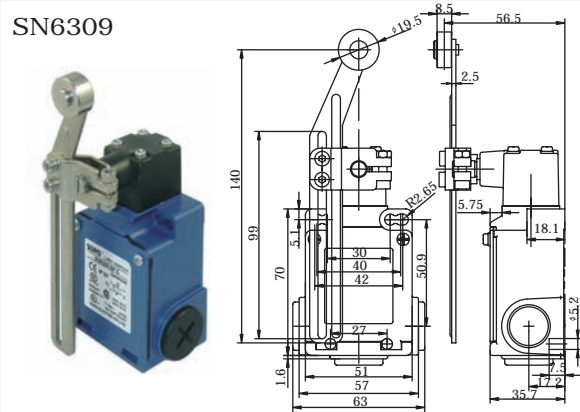
Order Code	Contact block			
SN6366-SP- _	SP	⊕	snap action	1NO+1NC

SN6369



Order Code	Contact block			
SN6369-SP- _	SP	⊕	snap action	1NO+1NC

SN6309



Order Code	Contact block			
SN6309-SP- _	SP	⊕	snap action	1NO+1NC
SN6309-SL- _	SL	⊕	slow action	1NO+1NC BBM
SN6309-SL1- _	SL1	⊕	slow action	1NO+1NC MBB
SN6309-SL2- _	SL2	⊕	slow action	2NC

GLOBAL STYLE SAFETY LIMIT SWITCHES (Metal Bodied EN50041 COMPATIBLE) SN63 SERIES (3 - CONDUIT ENTRY)

SN6314

Order Code	Contact block	Symbol	Action	Configuration
SN6314-SP- _	SP	⊕	snap action	1NO+1NC
SN6314-SL- _	SL	⊕	slow action	1NO+1NC BBM
SN6314-SL1- _	SL1	⊕	slow action	1NO+1NC MBB
SN6314-SL2- _	SL2	⊕	slow action	2NC

SN6318

Order Code	Contact block	Symbol	Action	Configuration
SN6318-SP- _	SP	⊕	snap action	1NO+1NC
SN6318-SL- _	SL	⊕	slow action	1NO+1NC BBM
SN6318-SL1- _	SL1	⊕	slow action	1NO+1NC MBB
SN6318-SL2- _	SL2	⊕	slow action	2NC

SN6311-L

Order Code	Contact block	Symbol	Action	Configuration
SN6311-SP- _L	SP	⊕	snap action	1NO+1NC
SN6311-SL- _L	SL	⊕	slow action	1NO+1NC BBM
SN6311-SL1- _L	SL1	⊕	slow action	1NO+1NC MBB
SN6311-SL2- _L	SL2	⊕	slow action	2NC

Order Code	Contact block	Symbol	Action	Configuration