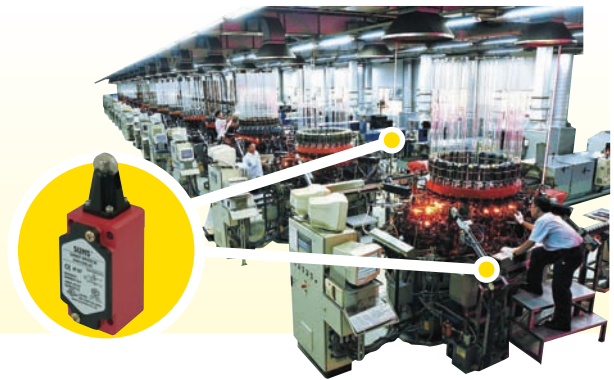


## GLOBAL STYLE SAFETY LIMIT SWITCHES (Metal Bodied EN50041 TYPE) SN6 SERIES (SINGLE CONDUIT ENTRY)

*For almost two decades SUNS has been delivering stand alone solutions that offer value and field tested reliability to customers.*



### Features

- Zinc die cast body
- Increased wiring space
- Earth grounding surface on same level as switching
- Easily interchangeable contact block
- Fine adjustment of switching point via adjusting screw
- Galvanically separated contacts
- Screw terminals with self-lifting clamps for easy wiring
- Positive Opening of NC contacts
- 4 x 90° actuator positions
- Cable entry available: M20, PG13.5 and 1/2"NPT
- Conform to EN 50041 standard

### Definitions of Operating Characteristics

OF	Operating Force	
RF	Releasing Force	
OT	Overtravel	
TT	Total Travel	
PT	Pretravel	
MD	Movement Differential	ON OFF
OP	Operating Position	
PO	Travel to Positive Opening	

### Specifications

Operating Speed	0.05mm-2m/sec
Operating Frequency	Mechanical: 120ops/min Electrical: 30 ops/min
Insulation Resistance	>100MΩ@500V DC
Contact Resistance	<25mΩ (initial value)
Rated Current/Voltage	10A/600V AC (EN60947-5-1) UL/cUL Listed (E216958) AC15 A600 / DC13 Q300
Dielectric Strength	1000VAC for 1 min between current carrying parts 2500VAC for 1 min between non-current carrying parts
Service Life	Mechanically 1 x10 <sup>7</sup> (operations) Electrically 5 x10 <sup>5</sup> (operations)
Operating Temperature	-25~+80°C (-13~176°F) with no icing
Humidity	< 95%RH
Weight	400-480g for metal body
Degree of Protection	IP67

### Selection Guide:

SN61  
Body  
Styles

04  
Head Styles

SP  
Contact Block

- SP\* 1NO/1NC Snap action
- SL\* BBM 1NO/1NC Slow Action changeover
- SL1\*MBB 1NO/1NC Slow Action Overlapping
- SL2\*2NC Slow Action
- SL3\*2NO Slow Action

C  
Conduits

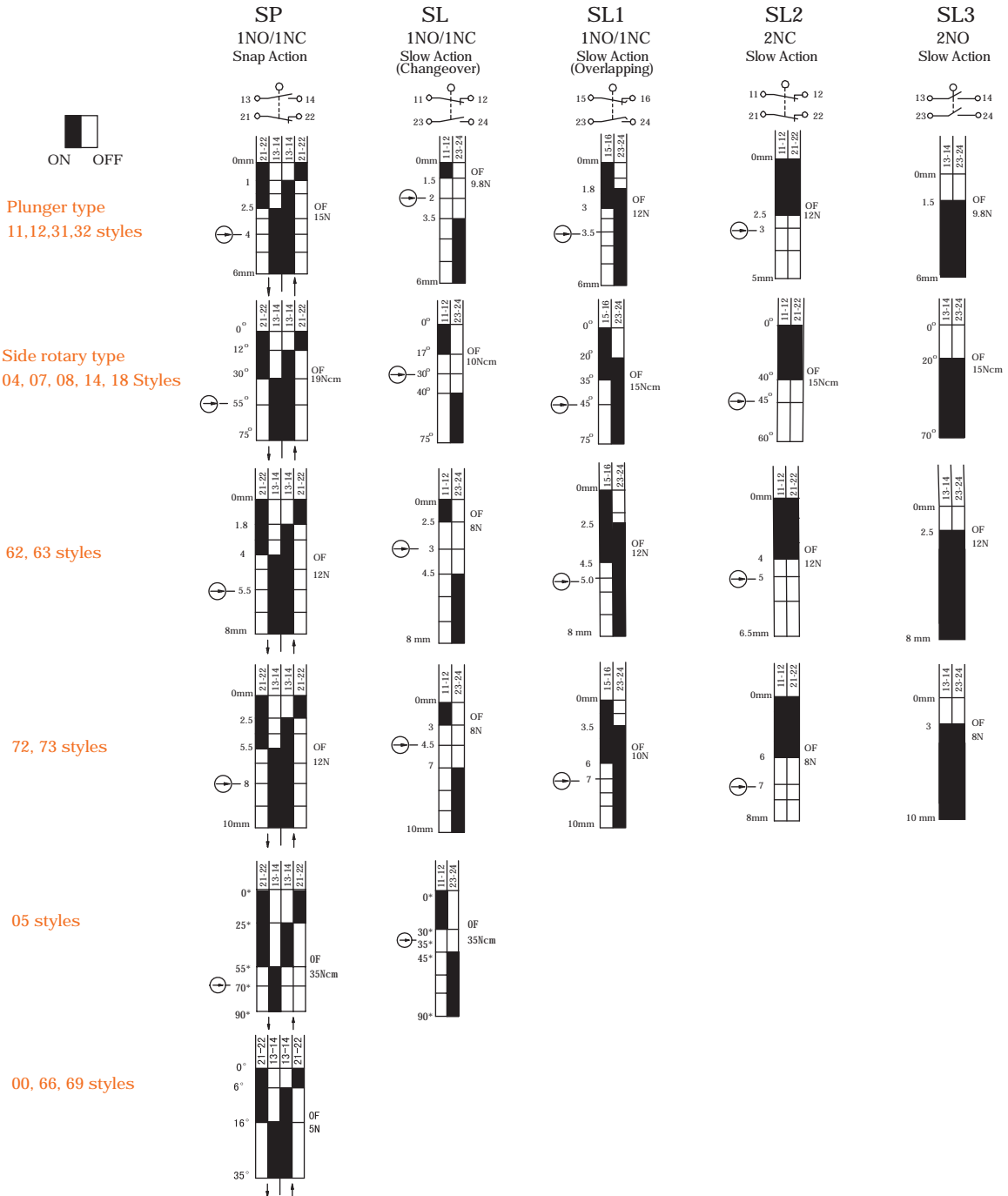
- A: 1/2"NPT
- B: PG13.5
- C: M20

R

- Blank
- R: with Reset

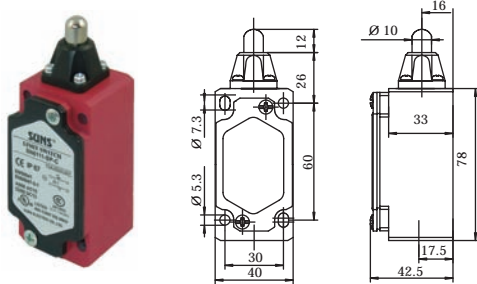
## GLOBAL STYLE SAFETY LIMIT SWITCHES (Metal Bodied EN50041 TYPE) SN6 SERIES (SINGLE CONDUIT ENTRY)

Available contact blocks and travel diagrams



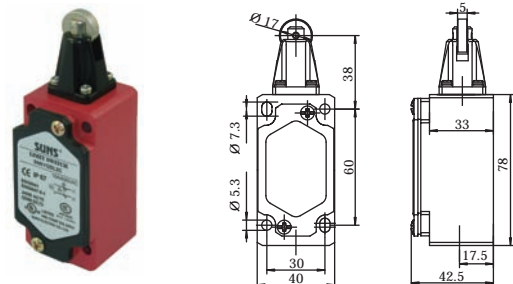
## GLOBAL STYLE SAFETY LIMIT SWITCHES (Metal Bodied EN50041 TYPE) SN6 SERIES (SINGLE CONDUIT ENTRY)

SN6111



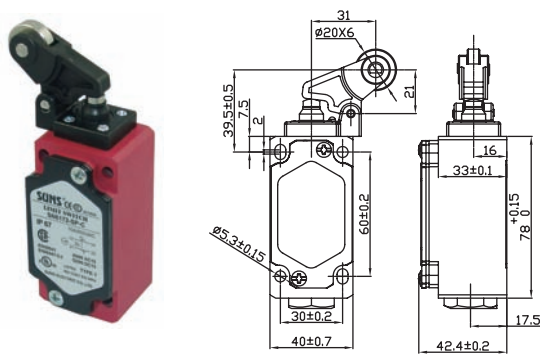
Order Code	Contact block		
SN6111-SP- _	SP	snap action	1NO+1NC
SN6111-SL- _	SL	slow action	1NO+1NC BBM
SN6111-SL1- _	SL1	slow action	1NO+1NC MBB
SN6111-SL2- _	SL2	slow action	2NC

SN6112



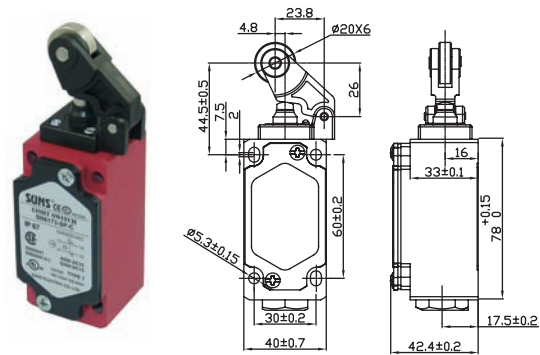
Order Code	Contact block		
SN6112-SP- _	SP	snap action	1NO+1NC
SN6112-SL- _	SL	slow action	1NO+1NC BBM
SN6112-SL1- _	SL1	slow action	1NO+1NC MBB
SN6112-SL2- _	SL2	slow action	2NC

SN6172



Order Code	Contact block		
SN6172-SP- _	SP	snap action	1NO+1NC
SN6172-SL- _	SL	slow action	1NO+1NC BBM
SN6172-SL1- _	SL1	slow action	1NO+1NC MBB
SN6172-SL2- _	SL2	slow action	2NC

SN6173



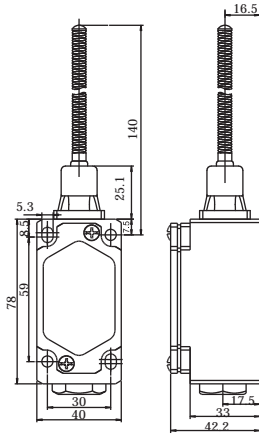
Order Code	Contact block		
SN6173-SP- _	SP	snap action	1NO+1NC
SN6173-SL- _	SL	slow action	1NO+1NC BBM
SN6173-SL1- _	SL1	slow action	1NO+1NC MBB
SN6173-SL2- _	SL2	slow action	2NC

## GLOBAL STYLE SAFETY LIMIT SWITCHES (Metal Bodied EN50041 TYPE) SN6 SERIES (SINGLE CONDUIT ENTRY)

<b>SN6104</b>		<b>SN6107</b>	
<b>Order Code</b>	<b>Contact block</b>	<b>Order Code</b>	<b>Contact block</b>
SN6104-SP- _	SP ⤴ snap action 1NO+1NC	SN6107-SP- _	SP ⤴ snap action 1NO+1NC
SN6104-SL- _	SL ⤴ slow action 1NO+1NC BBM	SN6107-SL- _	SL ⤴ slow action 1NO+1NC BBM
SN6104-SL1- _	SL1 ⤴ slow action 1NO+1NC MBB	SN6107-SL1- _	SL1 ⤴ slow action 1NO+1NC MBB
SN6104-SL2- _	SL2 ⤴ slow action 2NC	SN6107-SL2- _	SL2 ⤴ slow action 2NC
<b>SN6105</b>		<b>SN6108</b>	
<b>Order Code</b>	<b>Contact block</b>	<b>Order Code</b>	<b>Contact block</b>
SN6105-SP- _	SP ⤴ snap action 1NO+1NC	SN6108-SP- _	SP ⤴ snap action 1NO+1NC
SN6105-SL- _	SL ⤴ slow action 1NO+1NC BBM	SN6108-SL- _	SL ⤴ slow action 1NO+1NC BBM
		SN6108-SL1- _	SL1 ⤴ slow action 1NO+1NC MBB
		SN6108-SL2- _	SL2 ⤴ slow action 2NC
<b>SN6114</b>		<b>SN6118</b>	
<b>Order Code</b>	<b>Contact block</b>	<b>Order Code</b>	<b>Contact block</b>
SN6114-SP- _	SP ⤴ snap action 1NO+1NC	SN6118-SP- _	SP ⤴ snap action 1NO+1NC
SN6114-SL- _	SL ⤴ slow action 1NO+1NC BBM	SN6118-SL- _	SL ⤴ slow action 1NO+1NC BBM
SN6114-SL1- _	SL1 ⤴ slow action 1NO+1NC MBB	SN6118-SL1- _	SL1 ⤴ slow action 1NO+1NC MBB
SN6114-SL2- _	SL2 ⤴ slow action 2NC	SN6118-SL2- _	SL2 ⤴ slow action 2NC

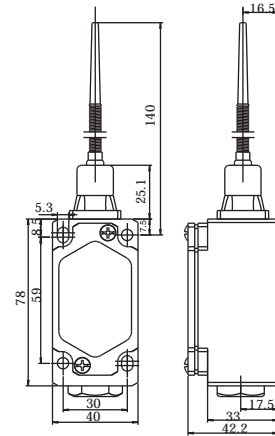
## GLOBAL STYLE SAFETY LIMIT SWITCHES (Metal Bodied EN50041 TYPE) SN6 SERIES (SINGLE CONDUIT ENTRY)

SN6100



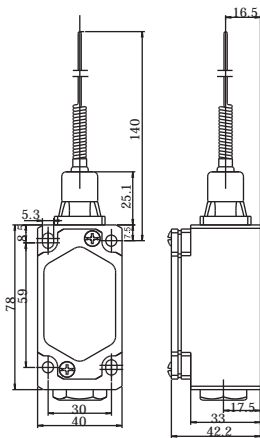
Order Code      Contact block  
**SN6100-SP- \_**      SP      ↻      snap action      1NO+1NC

SN6166



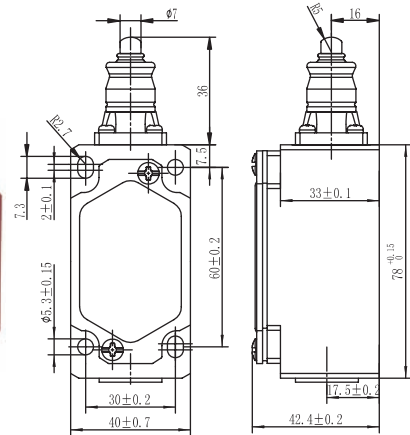
Order Code      Contact block  
**SN6166-SP- \_**      SP      ↻      snap action      1NO+1NC

SN6169



Order Code      Contact block  
**SN6169-SP- \_**      SP      ↻      snap action      1NO+1NC

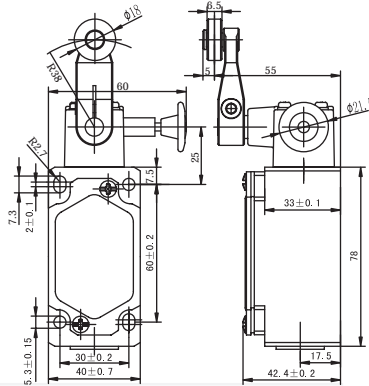
SN6111-L



Order Code      Contact block  
**SN6111-SP- \_L**      SP      ↻      snap action      1NO+1NC  
**SN6111-SL- \_L**      SL      ↻      slow action      1NO+1NC      BBM  
**SN6111-SL1- \_L**      SL1      ↻      slow action      1NO+1NC      MBB  
**SN6111-SL2- \_L**      SL2      ↻      slow action      2NC

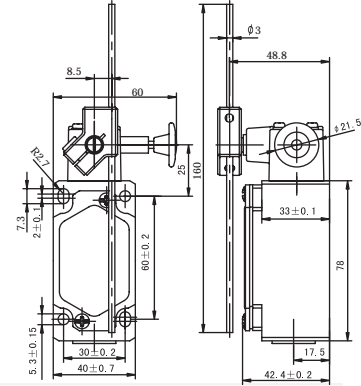
## GLOBAL STYLE SAFETY LIMIT SWITCHES (Metal Bodied EN50041 TYPE) SN6 SERIES (SINGLE CONDUIT ENTRY WITH RESET)

SN6104-R



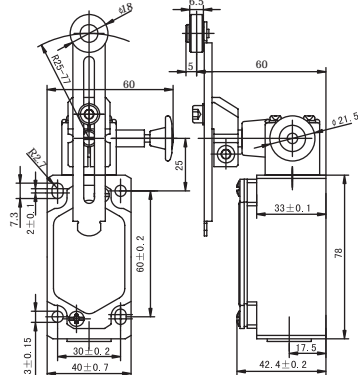
Order Code	Contact block			
SN6104-SP- _R	SP	⊕	snap action	1NO+1NC
SN6104-SL- _R	SL	⊕	slow action	1NO+1NC BBM
SN6104-SL1- _R	SL1	⊕	slow action	1NO+1NC MBB
SN6104-SL2- _R	SL2	⊕	slow action	2NC

SN6107-R



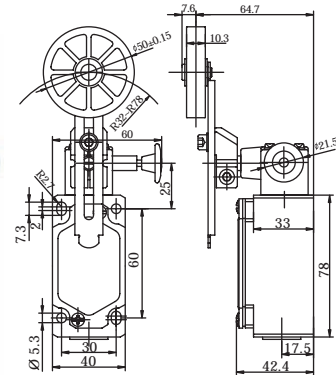
Order Code	Contact block			
SN6107-SP- _R	SP	⊕	snap action	1NO+1NC
SN6107-SL- _R	SL	⊕	slow action	1NO+1NC BBM
SN6107-SL1- _R	SL1	⊕	slow action	1NO+1NC MBB
SN6107-SL2- _R	SL2	⊕	slow action	2NC

SN6108-R



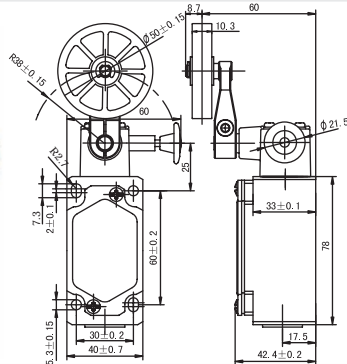
Order Code	Contact block			
SN6108-SP- _R	SP	⊕	snap action	1NO+1NC
SN6108-SL- _R	SL	⊕	slow action	1NO+1NC BBM
SN6108-SL1- _R	SL1	⊕	slow action	1NO+1NC MBB
SN6108-SL2- _R	SL2	⊕	slow action	2NC

SN6118-R



Order Code	Contact block			
SN6118-SP- _R	SP	⊕	snap action	1NO+1NC
SN6118-SL- _R	SL	⊕	slow action	1NO+1NC BBM
SN6118-SL1- _R	SL1	⊕	slow action	1NO+1NC MBB
SN6118-SL2- _R	SL2	⊕	slow action	2NC

SN6114-R



Order Code	Contact block			
SN6114-SP- _R	SP	⊕	snap action	1NO+1NC
SN6114-SL- _R	SL	⊕	slow action	1NO+1NC BBM
SN6114-SL1- _R	SL1	⊕	slow action	1NO+1NC MBB
SN6114-SL2- _R	SL2	⊕	slow action	2NC