

GLOBAL STYLE SAFETY LIMIT SWITCHES (Plastic Bodied EN50041 TYPE) SND6 SERIES (SINGLE CONDUIT ENTRY)



Long standing relationships with the biggest names in Industrial Automation enable our team to deliver competitive products that are innovative and designed for years of reliable performance.

Features

- Glass fiber reinforced plastic body
- Increased wiring space
- Easily interchangeable contact block
- Galvanically separated contacts
- Screw terminals with self-lifting clamps for easy wiring
- Positive Opening of NC contacts
- 4 x 90° actuator positions
- Cable entry available: M20, PG13.5 and 1/2"NPT
- Conform to EN 50041 standard

Definitions of Operating Characteristics

- OF Operating Force
- RF Releasing Force
- OT Overtravel
- TT Total Travel
- PT Pretravel
- MD Movement Differential
- OP Operating Position
- PO Travel to Positive Opening



Specifications

Operating Speed	0.05mm-2m/sec
Operating Frequency	Mechanical: 120ops/min Electrical: 30 ops/min
Insulation Resistance	>100MΩ@500V DC
Contact Resistance	<25mΩ (initial value)
Rated Current/Voltage	10A/600V AC (EN60947-5-1) UL/cUL Listed (E216958) AC15 A600 / DC13 Q300
Dielectric Strength	1000VAC for 1 min between current carrying parts 2500VAC for 1 min between non-current carrying parts
Service Life	Mechanically 1.0 x10 ⁷ (operations) Electrically 5 x10 ⁵ (operations)
Operating Temperature	-25~+80°C (-13~176°F) with no icing
Humidity	< 95%RH
Weight	150-230g for plastic body
Degree of Protection	IP67

Selection Guide:

SND6

Body Styles

04

Head Styles

SP

Contact Block

- SP* 1NO/1NC Snap action
- SL* BBM 1NO/1NC Slow Action changeover
- SL1***MBB** 1NO/1NC Slow Action Overlapping
- SL2*2NC Slow Action
- SL3*2NO Slow Action
- SL4*3NC Slow Action
- SL5*3NO Slow Action
- SL6***BBM** 2NC/1NO Slow Action changeover
- SL7***MBB** 2NC/1NO Slow Action Overlapping
- SL8***BBM** 2NO/1NC Slow Action changeover
- SL9***MBB** 2NO/1NC Slow Action Overlapping

C

Conduits

- A: 1/2"NPT
- B: PG13.5
- C: M20

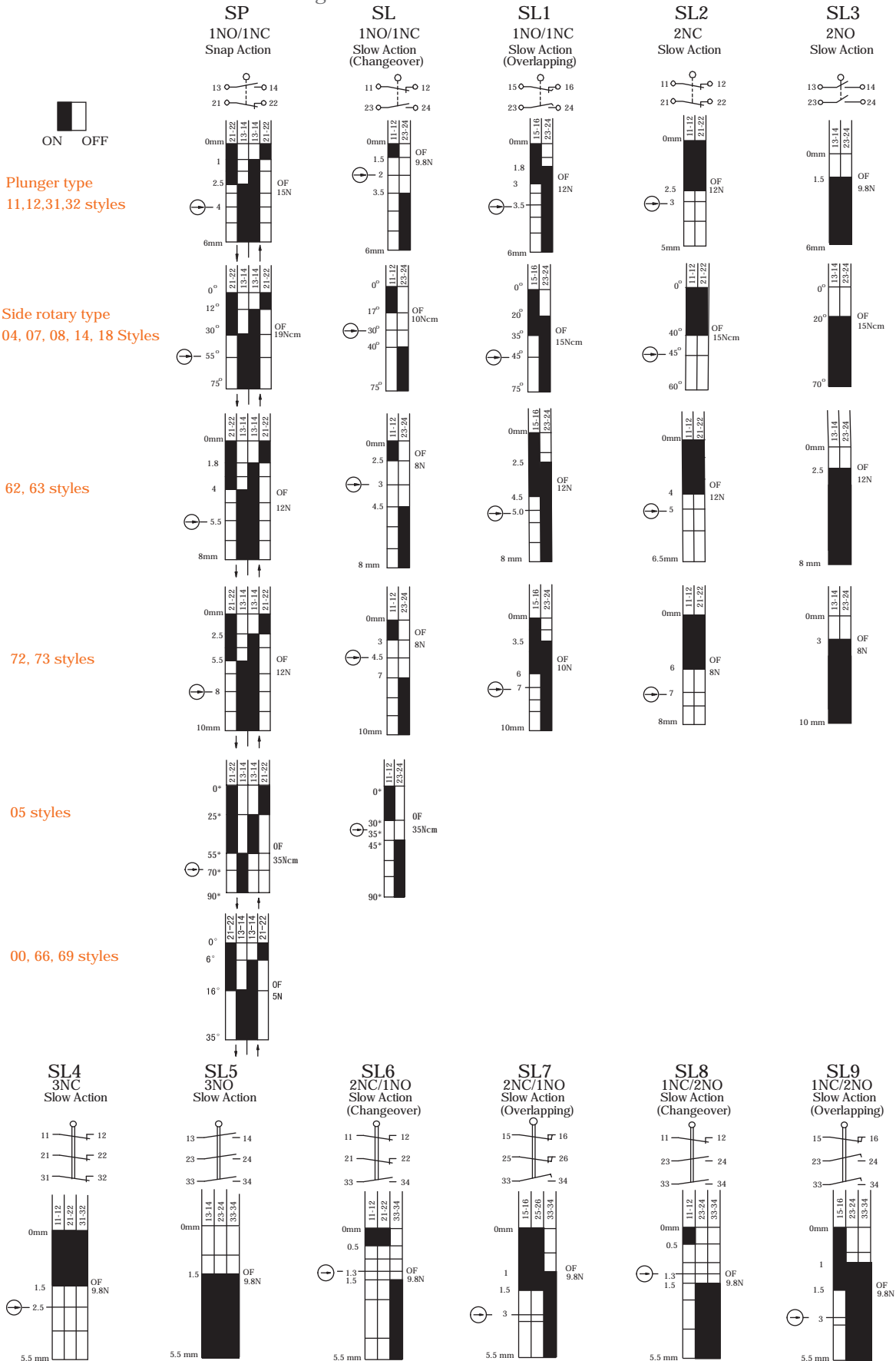
R

Blank

R: with Reset

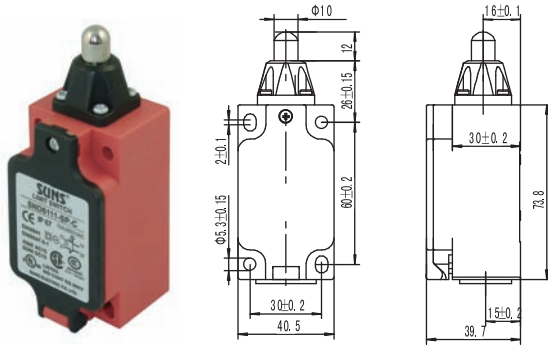
GLOBAL STYLE SAFETY LIMIT SWITCHES (Plastic Bodied EN50041 TYPE) SND6 SERIES (SINGLE CONDUIT ENTRY)

Available contact blocks and travel diagrams



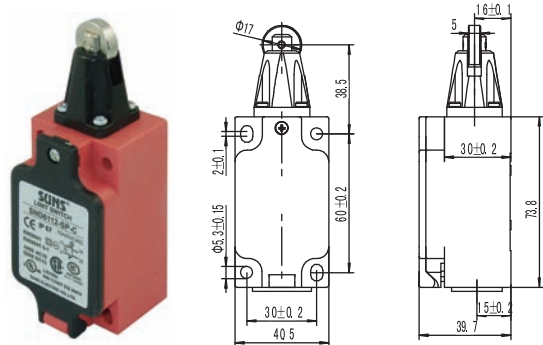
GLOBAL STYLE SAFETY LIMIT SWITCHES (Plastic Bodied EN50041 TYPE) SND6 SERIES (SINGLE CONDUIT ENTRY)

SND6111



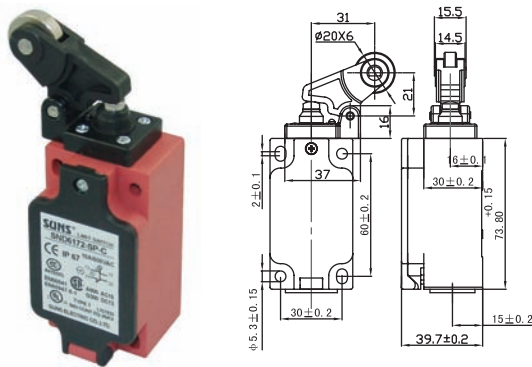
Order Code	Contact block			
SND6111-SP- _	SP	↻	snap action	1NO+1NC
SND6111-SL- _	SL	↻	slow action	1NO+1NC BBM
SND6111-SL1- _	SL1	↻	slow action	1NO+1NC MBB
SND6111-SL2- _	SL2	↻	slow action	2NC

SND6112



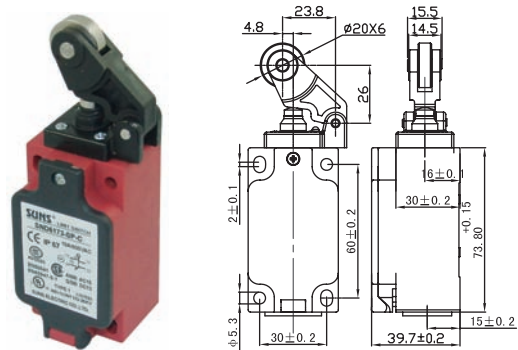
Order Code	Contact block			
SND6112-SP- _	SP	↻	snap action	1NO+1NC
SND6112-SL- _	SL	↻	slow action	1NO+1NC BBM
SND6112-SL1- _	SL1	↻	slow action	1NO+1NC MBB
SND6112-SL2- _	SL2	↻	slow action	2NC

SND6172



Order Code	Contact block			
SND6172-SP- _	SP	↻	snap action	1NO+1NC
SND6172-SL- _	SL	↻	slow action	1NO+1NC BBM
SND6172-SL1- _	SL1	↻	slow action	1NO+1NC MBB
SND6172-SL2- _	SL2	↻	slow action	2NC

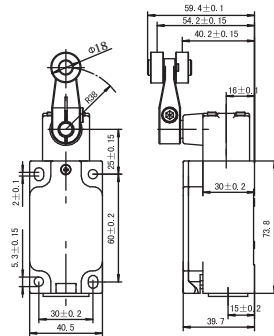
SND6173



Order Code	Contact block			
SND6173-SP- _	SP	↻	snap action	1NO+1NC
SND6173-SL- _	SL	↻	slow action	1NO+1NC BBM
SND6173-SL1- _	SL1	↻	slow action	1NO+1NC MBB
SND6173-SL2- _	SL2	↻	slow action	2NC

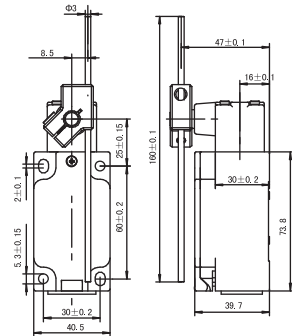
GLOBAL STYLE SAFETY LIMIT SWITCHES (Plastic Bodied EN50041 TYPE) SND6 SERIES (SINGLE CONDUIT ENTRY)

SND6104



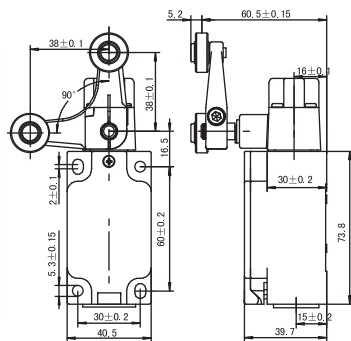
Order Code	Contact block		
SND6104-SP- _	SP	snap action	1NO+1NC
SND6104-SL- _	SL	slow action	1NO+1NC BBM
SND6104-SL1- _	SL1	slow action	1NO+1NC MBB
SND6104-SL2- _	SL2	slow action	2NC

SND6107



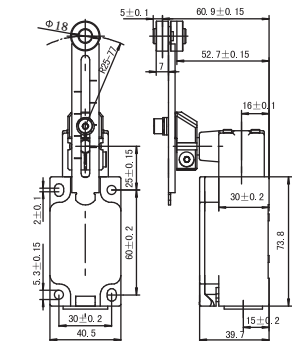
Order Code	Contact block		
SND6107-SP- _	SP	snap action	1NO+1NC
SND6107-SL- _	SL	slow action	1NO+1NC BBM
SND6107-SL1- _	SL1	slow action	1NO+1NC MBB
SND6107-SL2- _	SL2	slow action	2NC

SND6105



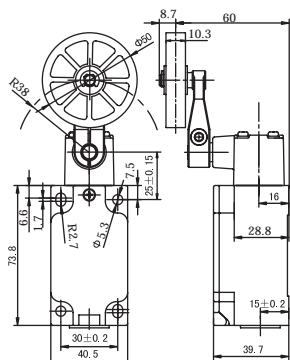
Order Code	Contact block		
SND6105-SP- _	SP	snap action	1NO+1NC
SND6105-SL- _	SL	slow action	1NO+1NC BBM

SND6108



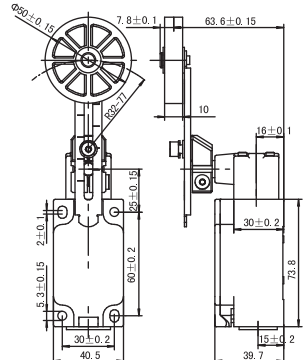
Order Code	Contact block		
SND6108-SP- _	SP	snap action	1NO+1NC
SND6108-SL- _	SL	slow action	1NO+1NC BBM
SND6108-SL1- _	SL1	slow action	1NO+1NC MBB
SND6108-SL2- _	SL2	slow action	2NC

SND6114



Order Code	Contact block		
SND6114-SP- _	SP	snap action	1NO+1NC
SND6114-SL- _	SL	slow action	1NO+1NC BBM
SND6114-SL1- _	SL1	slow action	1NO+1NC MBB
SND6114-SL2- _	SL2	slow action	2NC

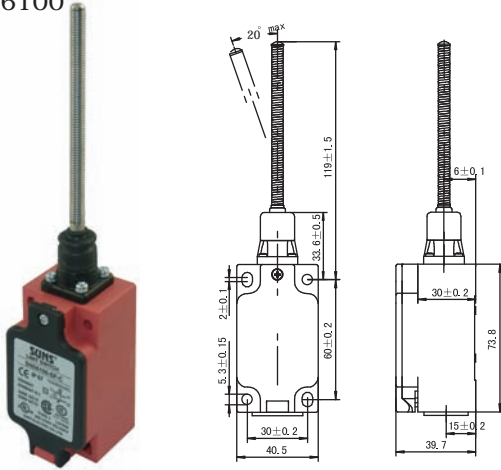
SND6118



Order Code	Contact block		
SND6118-SP- _	SP	snap action	1NO+1NC
SND6118-SL- _	SL	slow action	1NO+1NC BBM
SND6118-SL1- _	SL1	slow action	1NO+1NC MBB
SND6118-SL2- _	SL2	slow action	2NC

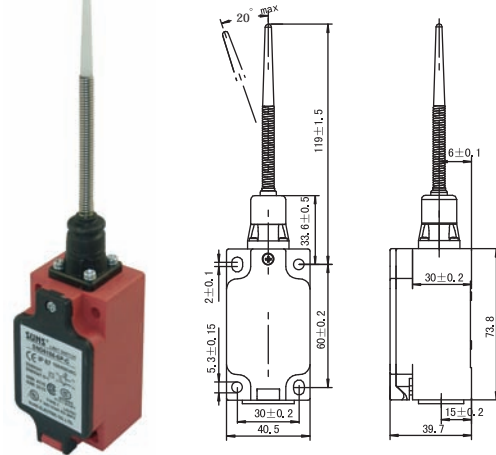
GLOBAL STYLE SAFETY LIMIT SWITCHES (Plastic Bodied EN50041 TYPE) SND6 SERIES (SINGLE CONDUIT ENTRY)

SND6100



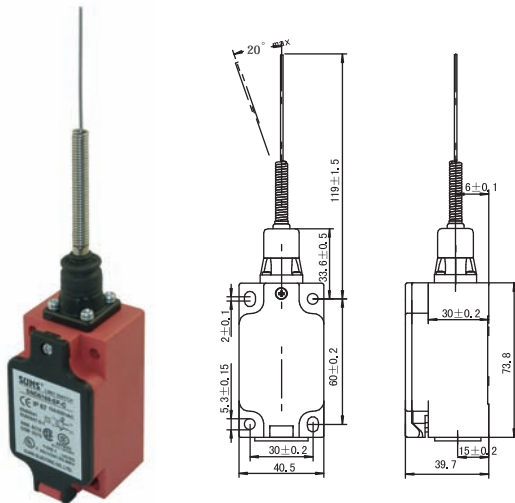
Order Code Contact block
 SND6100-SP- _ SP snap action 1NO+1NC

SND6166



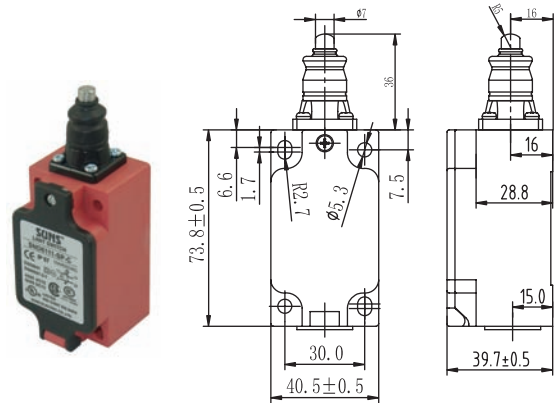
Order Code Contact block
 SND6166-SP- _ SP snap action 1NO+1NC

SND6169



Order Code Contact block
 SND6169-SP- _ SP snap action 1NO+1NC

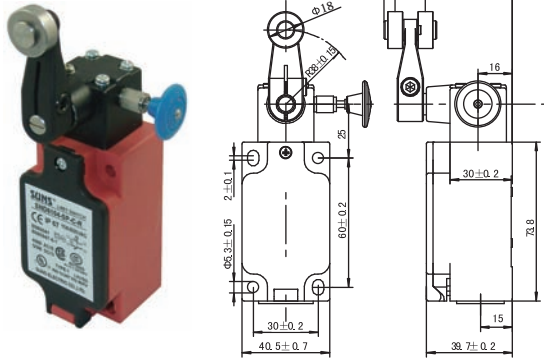
SND6111-L



Order Code Contact block
 SND6111-SP- _L SP snap action 1NO+1NC
 SND6111-SL- _L SL slow action 1NO+1NC BBM
 SND6111-SL1- _L SL1 slow action 1NO+1NC MBB
 SND6111-SL2- _L SL2 slow action 2NC

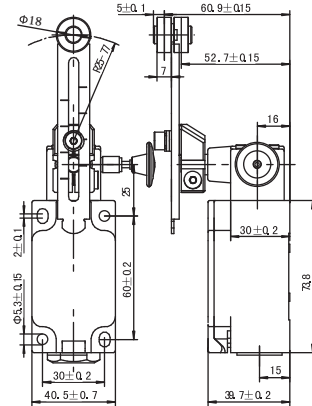
GLOBAL STYLE SAFETY LIMIT SWITCHES (Plastic Bodied EN50041 TYPE) SND6 SERIES (SINGLE CONDUIT ENTRY WITH RESET)

SND6104-R



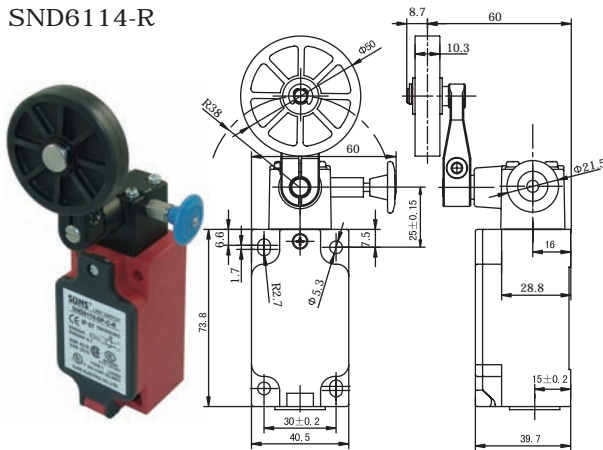
Order Code	Contact block			
SND6104-SP- _R	SP	↔	snap action	1NO+1NC
SND6104-SL- _R	SL	↔	slow action	1NO+1NC BBM
SND6104-SL1- _R	SL1	↔	slow action	1NO+1NC MBB
SND6104-SL2- _R	SL2	↔	slow action	2NC

SND6108-R



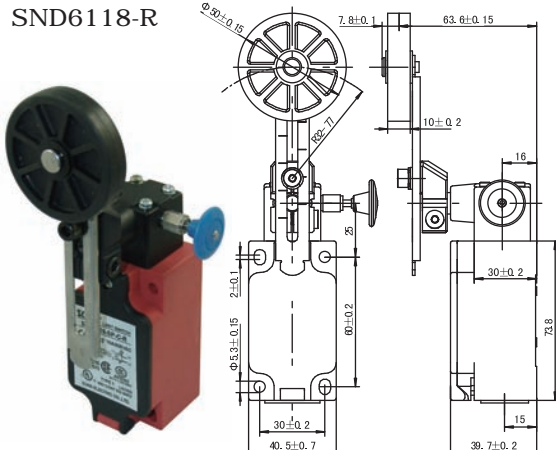
Order Code	Contact block			
SND6107-SP- _R	SP	↔	snap action	1NO+1NC
SND6107-SL- _R	SL	↔	slow action	1NO+1NC BBM
SND6107-SL1- _R	SL1	↔	slow action	1NO+1NC MBB
SND6107-SL2- _R	SL2	↔	slow action	2NC

SND6114-R



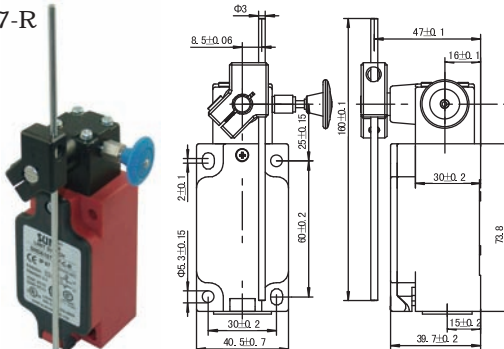
Order Code	Contact block			
SND6114-SP- _R	SP	↔	snap action	1NO+1NC
SND6114-SL- _R	SL	↔	slow action	1NO+1NC BBM
SND6114-SL1- _R	SL1	↔	slow action	1NO+1NC MBB
SND6114-SL2- _R	SL2	↔	slow action	2NC

SND6118-R



Order Code	Contact block			
SND6118-SP- _R	SP	↔	snap action	1NO+1NC
SND6118-SL- _R	SL	↔	slow action	1NO+1NC BBM
SND6118-SL1- _R	SL1	↔	slow action	1NO+1NC MBB
SND6118-SL2- _R	SL2	↔	slow action	2NC

SND6107-R



Order Code	Contact block			
SND6107-SP- _	SP	↔	snap action	1NO+1NC
SND6107-SL- _	SL	↔	slow action	1NO+1NC BBM
SND6107-SL1- _	SL1	↔	slow action	1NO+1NC MBB
SND6107-SL2- _	SL2	↔	slow action	2NC