



Operating characteristics:

OF(Max): 425g;  
 PT(Max): 1.27mm(0.050inch);  
 OT(Min): 2.54mm(0.100inch);  
 MD(Max): 0.38mm(0.015inch);  
 OP: 7.24± 0.51mm(0.285±0.020inch):

Specifications

Electrical

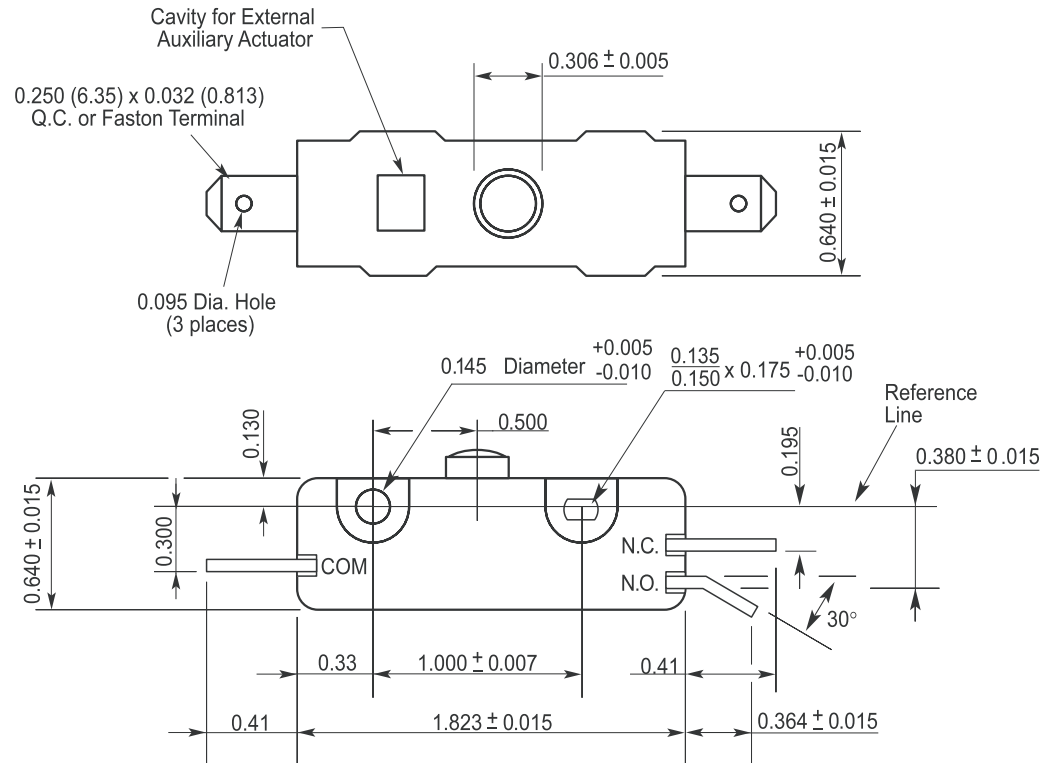
Electrical Rating: 15A,125/250VAC;3/4HP,125VAC 1-1/2HP,250VAC  
 Temperature Rating: 105°C Std. (150°C and 200°C optional)  
 Flammability Rating: UL94HB

Materials

Case: General Purpose Phenolic  
 Actuating Button: Thermoplastic Nylon  
 Common Terminals: Brass  
 NO and NC Terminals: Brass  
 Moving Blade: Brass  
 Spring: Stainless Steel  
 Auxiliary Actuators: Cold-Rolled Steel (Nickel-Plated)  
 Roller: Sintered Stainless Steel  
 Contacts: Silver-Cadmium Oxide

Features

- 5 current ratings
- Choice of actuator styles
- 3 terminal types (optional screw terminals available — consult factory)
- 3 contact arrangements
- Long-life coil spring mechanism
- High-temperature 150°C and 200°C available on select models (consult factory)



DESIGN UNITS:inches

DRAWN :	SUNS International,LLC		
APPROVED:	NAME:	MICRO SWITCH	
DOC CONTROL:	DWG NO.	S13-E	
DATE:	FSCM NO.1	SCALE: 1:1	SHEET: 1 of 1



**Operating characteristics:**

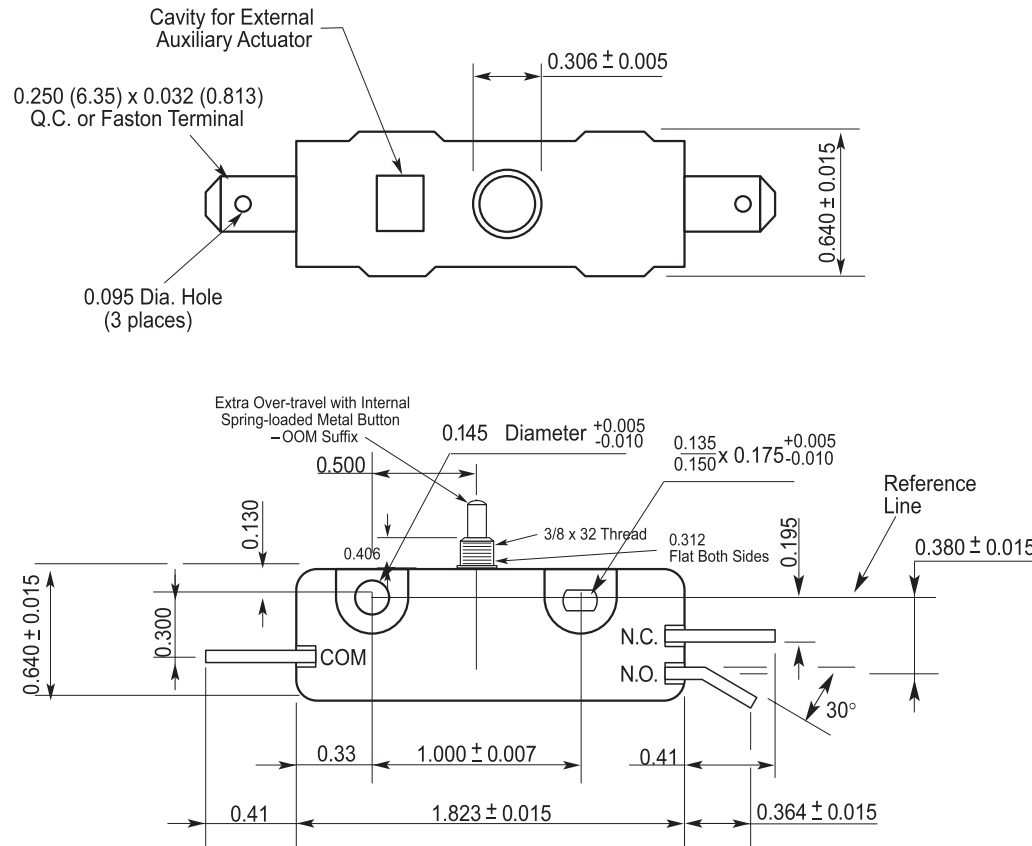
OF(Max): 425g  
 PT(Max): 1.27mm(0.050inch):  
 OT(Min): 5.54mm(0.218inch):  
 MD(Max): 0.38mm(0.015inch):  
 OP: 20.63±0.76mm(0.812± 0.030inch):

**Specifications**

**Electrical**  
 Electrical Rating: 15A,125/250VAC;3/4HP,125VAC 1-1/2HP,250VAC  
 Temperature Rating: 105°C Std. (150°C and 200°C optional)  
 Flammability Rating: UL94HB

**Materials**

Case: General Purpose Phenolic  
 Actuating Button: Thermoplastic Nylon  
 Common Terminals: Brass  
 NO and NC Terminals: Brass  
 Moving Blade: Brass  
 Spring: Stainless Steel  
 Auxiliary Actuators: Cold-Rolled Steel (Nickel-Plated)  
 Roller: Sintered Stainless Steel  
 Contacts: Silver-Cadmium Oxide



**Features**

- 5 current ratings
- Choice of actuator styles
- 3 terminal types (optional screw terminals available — consult factory)
- 3 contact arrangements
- Long-life coil spring mechanism
- High-temperature 150°C and 200°C available on select models (consult factory)

DESIGN UNITS:inches

DRAWN :	SUNS International,LLC		
APPROVED:	NAME:	MICRO SWITCH	
DOC CONTROL:	DWG NO.	S13-M	
DATE:	FSCM NO.1	SCALE: 1:1	SHEET: 1 of 1



Operating characteristics:

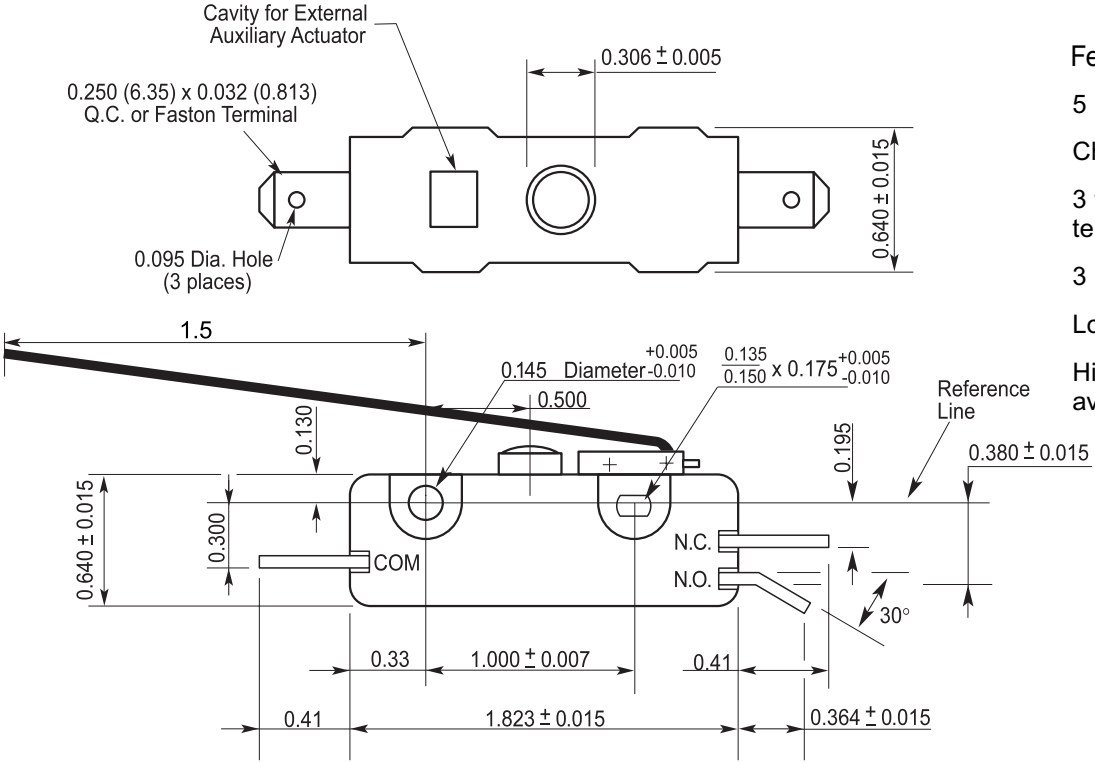
OF(Max): 100g  
 PT(Max): 6.35mm(0.250inch):  
 OT(Min): 4.75mm(0.187inch):  
 MD(Max): 2.36mm(0.093inch):  
 OP: 7.93±1.57mm(0.312± 0.062inch):

Specifications

Electrical  
 Electrical Rating: 15A, 125/250VAC; 3/4HP, 125VAC 1-1/2HP, 250VAC  
 Temperature Rating: 105°C Std. (150°C and 200°C optional)  
 Flammability Rating: UL94HB

Materials

Case: General Purpose Phenolic  
 Actuating Button: Thermoplastic Nylon  
 Common Terminals: Brass  
 NO and NC Terminals: Brass  
 Moving Blade: Brass  
 Spring: Stainless Steel  
 Auxiliary Actuators: Cold-Rolled Steel (Nickel-Plated)  
 Roller: Sintered Stainless Steel  
 Contacts: Silver-Cadmium Oxide



- Features
- 5 current ratings
  - Choice of actuator styles
  - 3 terminal types (optional screw terminals available — consult factory)
  - 3 contact arrangements
  - Long-life coil spring mechanism
  - High-temperature 150°C and 200°C available on select models (consult factory)

DESIGN UNITS: inches

DRAWN :	SUNS International, LLC		
APPROVED:	NAME:	MICRO SWITCH	
DOC CONTROL:	DWG NO.	S13-H	
DATE:	FSCM NO.1	SCALE: 1:1	SHEET: 1 of 1



**Operating characteristics:**

OF(Max): 425g  
 PT(Max): 1.27mm(0.050inch):  
 OT(Min): 2.74mm(0.108inch):  
 MD(Max): 0.38mm(0.015inch):  
 OP: 17.02±0.76mm(0.670± 0.030inch):

**Specifications**

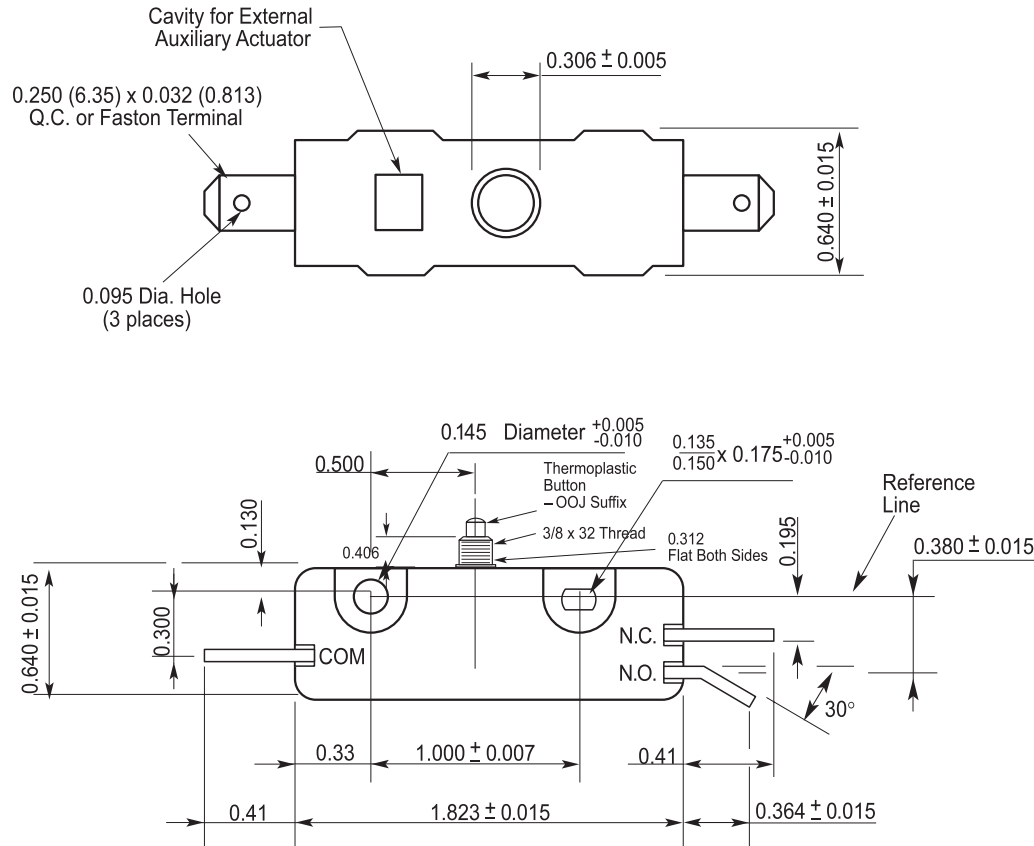
**Electrical**  
 Electrical Rating: 15A, 125/250VAC; 3/4HP, 125VAC 1-1/2HP, 250VAC  
 Temperature Rating: 105°C Std. (150°C and 200°C optional)  
 Flammability Rating: UL94HB

**Materials**

Case: General Purpose Phenolic  
 Actuating Button: Thermoplastic Nylon  
 Common Terminals: Brass  
 NO and NC Terminals: Brass  
 Moving Blade: Brass  
 Spring: Stainless Steel  
 Auxiliary Actuators: Cold-Rolled Steel (Nickel-Plated)  
 Roller: Sintered Stainless Steel  
 Contacts: Silver-Cadmium Oxide

**Features**

- 5 current ratings
- Choice of actuator styles
- 3 terminal types (optional screw terminals available — consult factory)
- 3 contact arrangements
- Long-life coil spring mechanism
- High-temperature 150°C and 200°C available on select models (consult factory)



DESIGN UNITS: inches

DRAWN :	SUNS International, LLC		
APPROVED:	NAME:	MICRO SWITCH	
DOC CONTROL:	DWG NO.	S13-J	
DATE:	FSCM NO.1	SCALE: 1:1	SHEET: 1 of 1

**SUNS****Operating characteristics:**

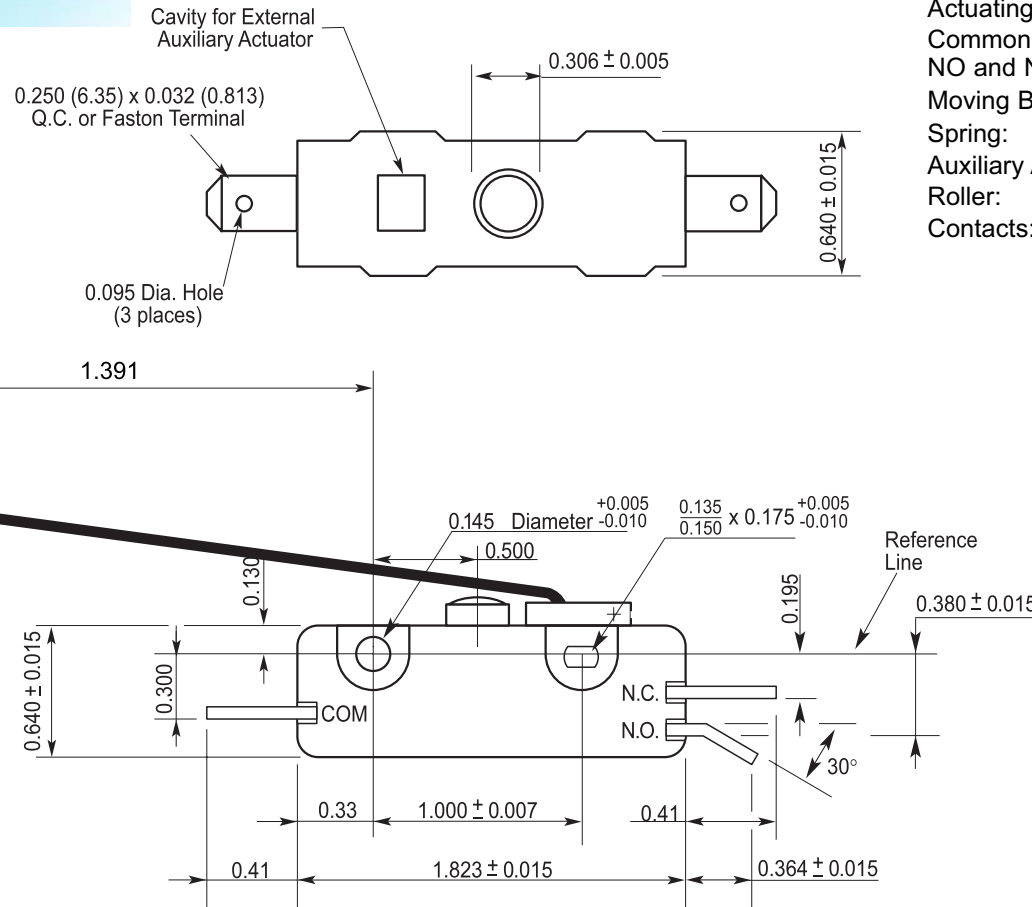
OF(Max): 100g  
 PT(Max): 6.35mm(0.250inch):  
 OT(Min): 4.75mm(0.187inch):  
 MD(Max): 2.36mm(0.093inch):  
 OP: 18.24±1.57mm(0.718± 0.062inch):

**Specifications**

**Electrical**  
 Electrical Rating: 15A,125/250VAC;3/4HP,125VAC 1-1/2HP,250VAC  
 Temperature Rating: 105°C Std. (150°C and 200°C optional)  
 Flammability Rating: UL94HB

**Materials**

Case: General Purpose Phenolic  
 Actuating Button: Thermoplastic Nylon  
 Common Terminals: Brass  
 NO and NC Terminals: Brass  
 Moving Blade: Brass  
 Spring: Stainless Steel  
 Auxiliary Actuators: Cold-Rolled Steel (Nickel-Plated)  
 Roller: Sintered Stainless Steel  
 Contacts: Silver-Cadmium Oxide

**Features**

- 5 current ratings
- Choice of actuator styles
- 3 terminal types (optional screw terminals available — consult factory)
- 3 contact arrangements
- Long-life coil spring mechanism
- High-temperature 150°C and 200°C available on select models (consult factory)

DESIGN UNITS: inches

DRAWN :		SUNS International, LLC	
APPROVED:	NAME:	MICRO SWITCH	
DOC CONTROL:	DWG NO.	S13-K	
DATE:	FSCM NO.1	SCALE: 1:1	SHEET: 1 of 1