



Operating characteristics:

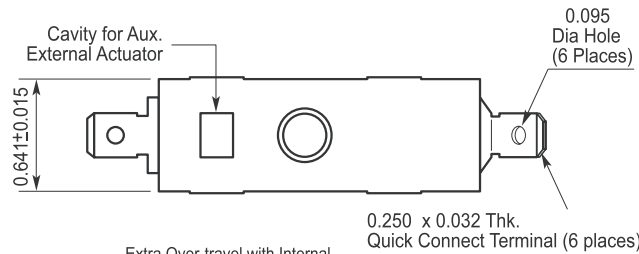
OF(Max): 850g:
 PT(Max): 1.27mm(0.050inch):
 OT(Min): 5.54mm(0.218inch):
 MD(Max): 0.38mm(0.015inch):
 OP: 20.62±0.76mm(0.812± 0.030inch):

Specifications

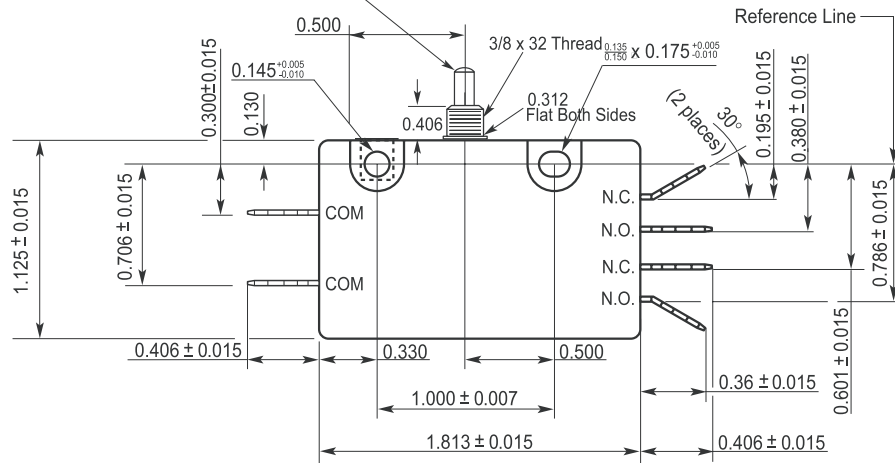
Electrical
 Electrical Rating: 15A,125/250VAC;3/4HP,125VAC 1-1/2HP,250VAC
 Temperature Rating: 105°C Std. (150°C and 200°C optional)
 Flammability Rating: UL94HB

Materials

Case: General Purpose Phenolic
 Actuating Button: Thermoplastic Nylon
 Common Terminals: Brass
 NO and NC Terminals: Brass
 Moving Blade: Brass
 Spring: Stainless Steel
 Auxiliary Actuators: Cold-Rolled Steel (Nickel-Plated)
 Roller: Sintered Stainless Steel
 Contacts: Silver-Cadmium Oxide



Note: With respect to operating sequence, pole 1 or 2 may operate first (virtually same time). If pole 1 or 2 must always operate in a particular sequence (1 before 2 or 2 before 1), consult factory.



Features

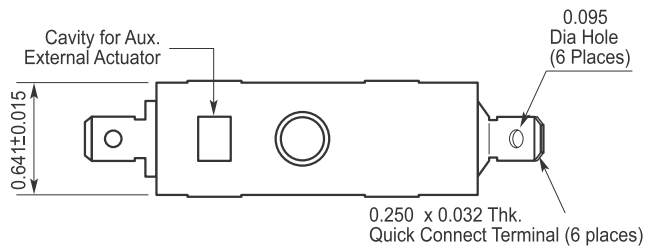
- 5 current ratings
- Choice of actuator styles
- 3 terminal types (optional screw terminals available — consult factory)
- 3 contact arrangements
- Long-life coil spring mechanism
- High-temperature 150°C and 200°C available on select models (consult factory)

DESIGN UNITS:inches

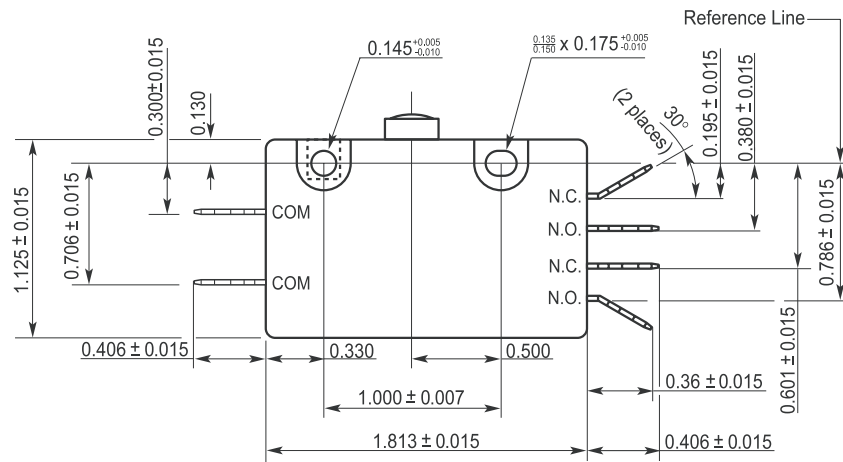
DRAWN :	SUNS International,LLC		
APPROVED:	NAME:	MICRO SWITCH	
DOC CONTROL:	DWG NO.	S19-M	
DATE:	FSCM NO.1	SCALE: 1:1	SHEET: 1 of 1

SUNSc **RU** US **CE****Operating characteristics:**

OF(Max):	850g:
PT(Max):	1.27mm(0.050inch):
OT(Min):	2.03mm(0.080inch):
MD(Max):	0.38mm(0.015inch):
OP:	7.24±0.76mm(0.285± 0.030inch):



Note: With respect to operating sequence, pole 1 or 2 may operate first (virtually same time). If pole 1 or 2 must always operate in a particular sequence (1 before 2 or 2 before 1), consult factory.

**Specifications****Electrical**

Electrical Rating:	15A, 125/250VAC; 0.1A, 125VAC
Temperature Rating:	105°C Std. (150°C and 200°C optional)
Flammability Rating:	UL94HB

Materials

Case:	General Purpose Phenolic
Actuating Button:	Thermoplastic Nylon
Common Terminals:	Brass
NO and NC Terminals:	Brass
Moving Blade:	Brass
Spring:	Stainless Steel
Auxiliary Actuators:	Cold-Rolled Steel (Nickel-Plated)
Roller:	Sintered Stainless Steel
Contacts:	Gold Crosspoint Silver Alloy

Features

5 current ratings

Choice of actuator styles

3 terminal types (optional screw terminals available — consult factory)

3 contact arrangements

Long-life coil spring mechanism

High-temperature 150°C and 200°C available on select models (consult factory)

DESIGN UNITS: inches

DRAWN :	SUNS International, LLC		
APPROVED:	NAME:	MICRO SWITCH	
DOC CONTROL:	DWG NO.	S19-E	
DATE:	FSCM NO.1	SCALE: 1:1	SHEET: 1 of 1



Operating characteristics:

OF(Max): 205g;
 PT(Max): 6.99mm(0.275inch);
 OT(Min): 4.75mm(0.187inch);
 MD(Max): 2.36mm(0.093inch);
 OP: 7.92±1.57mm(0.312± 0.062inch):

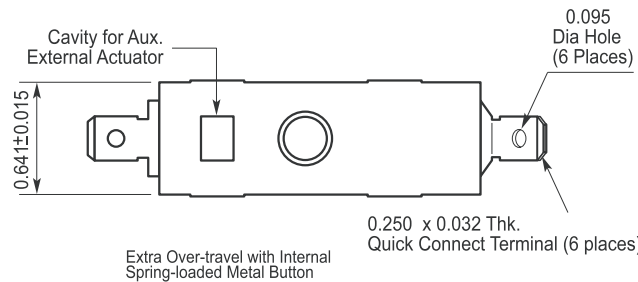
Specifications

Electrical

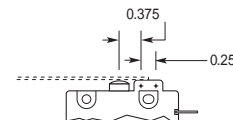
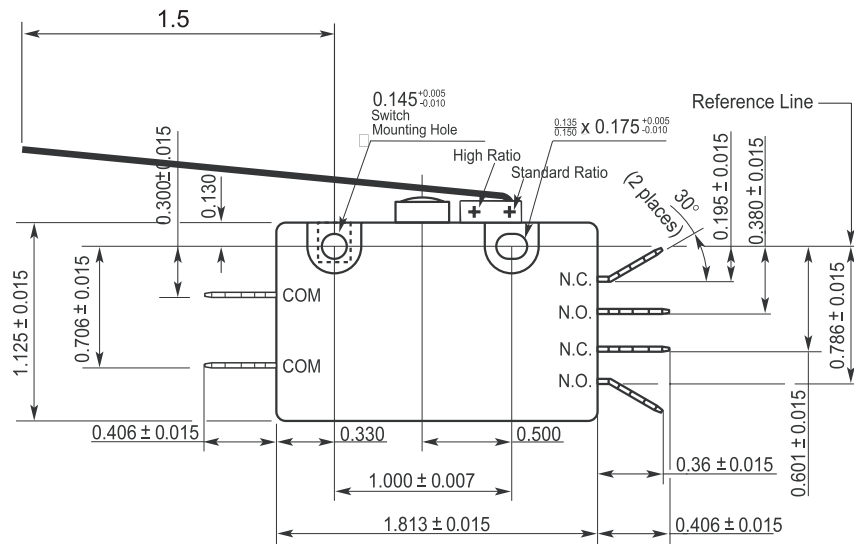
Electrical Rating: 15A,125/250VAC;3/4HP,125VAC 1-1/2HP,250VAC
 Temperature Rating: 105°C Std. (150°C and 200°C optional)
 Flammability Rating: UL94HB

Materials

Case: General Purpose Phenolic
 Actuating Button: Thermoplastic Nylon
 Common Terminals: Brass
 NO and NC Terminals: Brass
 Moving Blade: Brass
 Spring: Stainless Steel
 Auxiliary Actuators: Cold-Rolled Steel (Nickel-Plated)
 Roller: Sintered Stainless Steel
 Contacts: Silver-Cadmium Oxide



Note: With respect to operating sequence, pole 1 or 2 may operate first (virtually same time). If pole 1 or 2 must always operate in a particular sequence (1 before 2 or 2 before 1), consult factory.



Features

- 5 current ratings
- Choice of actuator styles
- 3 terminal types (optional screw terminals available — consult factory)
- 3 contact arrangements
- Long-life coil spring mechanism
- High-temperature 150°C and 200°C available on select models (consult factory)

DESIGN UNITS:inches

DRAWN :	SUNS International,LLC		
APPROVED:	NAME:	MICRO SWITCH	
DOC CONTROL:	DWG NO.	S19-H	
DATE:	FSCM NO.1	SCALE: 1:1	SHEET: 1 of 1



Operating characteristics::

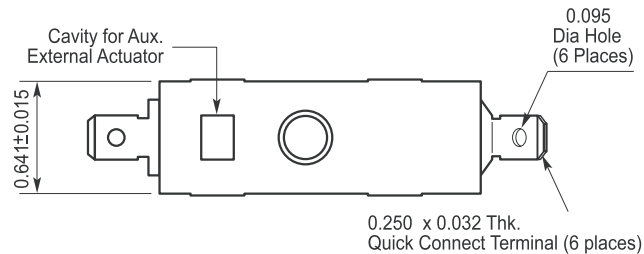
OF(Max): 850g:
 PT(Max): 1.27mm(0.050inch):
 OT(Min): 2.03mm(0.080inch):
 MD(Max): 0.38mm(0.015inch):
 OP: 17.02±0.76mm(0.670± 0.030inch):

Specifications

Electrical
 Electrical Rating: 15A,125/250VAC;3/4HP,125VAC 1-1/2HP,250VAC
 Temperature Rating: 105°C Std. (150°C and 200°C optional)
 Flammability Rating: UL94HB

Materials

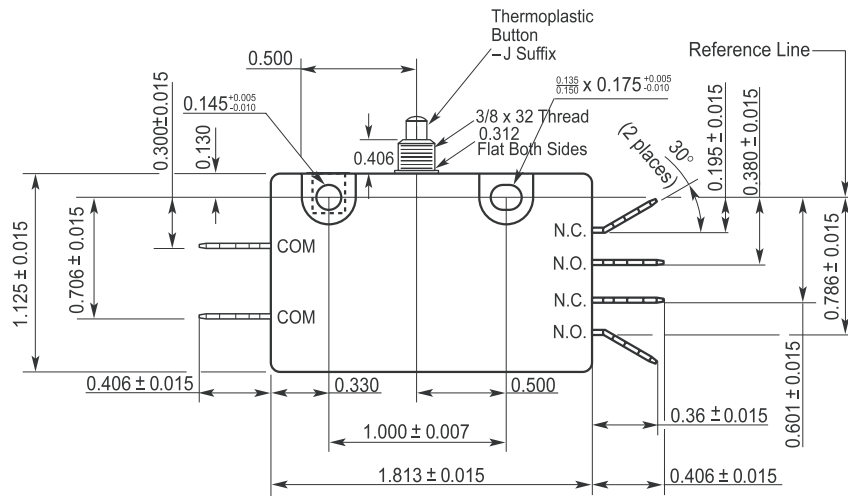
Case: General Purpose Phenolic
 Actuating Button: Thermoplastic Nylon
 Common Terminals: Brass
 NO and NC Terminals: Brass
 Moving Blade: Brass
 Spring: Stainless Steel
 Auxiliary Actuators: Cold-Rolled Steel (Nickel-Plated)
 Roller: Sintered Stainless Steel
 Contacts: Silver-Cadmium Oxide



Note: With respect to operating sequence, pole 1 or 2 may operate first (virtually same time). If pole 1 or 2 must always operate in a particular sequence (1 before 2 or 2 before 1), consult factory.

Features

- 5 current ratings
- Choice of actuator styles
- 3 terminal types (optional screw terminals available — consult factory)
- 3 contact arrangements
- Long-life coil spring mechanism
- High-temperature 150°C and 200°C available on select models (consult factory)



DESIGN UNITS:inches

DRAWN :	SUNS International,LLC		
APPROVED:	NAME:	MICRO SWITCH	
DOC CONTROL:	DWG NO.	S19-J	
DATE:	FSCM NO.1	SCALE: 1:1	SHEET: 1 of 1



Operating characteristics:

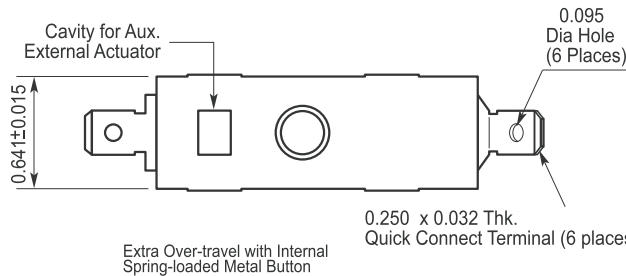
- OF(Max): 212g;
- PT(Max): 6.35mm(0.250inch);
- OT(Min): 4.75mm(0.187inch);
- MD(Max): 2.36mm(0.093inch);
- OP: 18.24±1.57mm(0.718± 0.062inch):

Specifications

- Electrical**
 Electrical Rating: 15A,125/250VAC;3/4HP,125VAC 1-1/2HP,250VAC
 Temperature Rating: 105°C Std. (150°C and 200°C optional)
 Flammability Rating: UL94HB

Materials

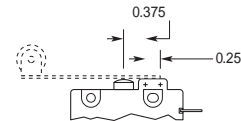
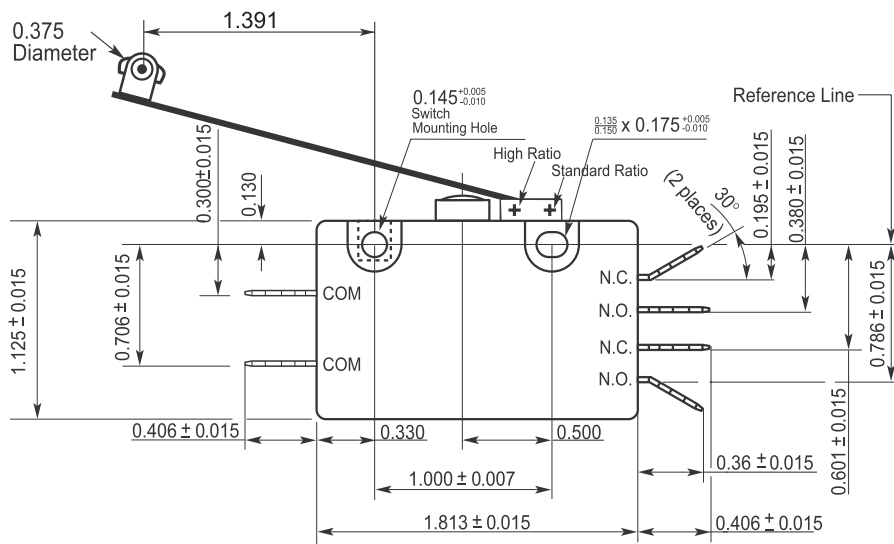
- Case: General Purpose Phenolic
- Actuating Button: Thermoplastic Nylon
- Common Terminals: Brass
- NO and NC Terminals: Brass
- Moving Blade: Brass
- Spring: Stainless Steel
- Auxiliary Actuators: Cold-Rolled Steel (Nickel-Plated)
- Roller: Sintered Stainless Steel
- Contacts: Silver-Cadmium Oxide



Note: With respect to operating sequence, pole 1 or 2 may operate first (virtually same time). If pole 1 or 2 must always operate in a particular sequence (1 before 2 or 2 before 1), consult factory.

Features

- 5 current ratings
- Choice of actuator styles
- 3 terminal types (optional screw terminals available — consult factory)
- 3 contact arrangements
- Long-life coil spring mechanism
- High-temperature 150°C and 200°C available on select models (consult factory)



DESIGN UNITS: inches

DRAWN :		SUNS International, LLC	
APPROVED:	NAME:	MICRO SWITCH	
DOC CONTROL:	DWG NO.	S19-K	
DATE:	FSCM NO.1	SCALE: 1:1	SHEET: 1 of 1