

SAFETY SWITCHES FOR HINGES LIDS/GUARDS

Features

- Galvanically separated contacts
- Screw terminals with self-lifting clamps for easy wiring
- Positive Opening of NC contacts
- 4 x 90° actuator positions

Definitions of Operating Characteristics

- OF Operating Force
- RF Releasing Force
- OT Overtravel
- TT Total Travel
- PT Pretravel
- MD Movement Differential
- OP Operating Position
- PO Travel to Positive Opening

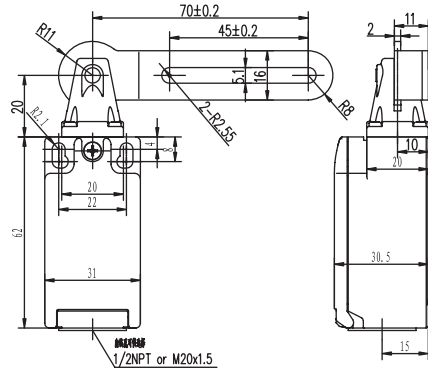
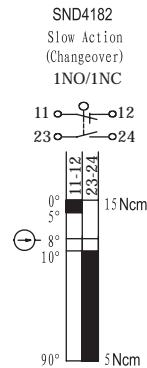


Specifications

Operating Speed	0.05mm-2m/sec
Operating Frequency	Mechanical: 120ops/min Electrical: 30 ops/min
Insulation Resistance	>100MΩ@500V DC
Contact Resistance	<25mΩ (initial value)
Rated Current/Voltage	10A/600V AC (EN60947-5-1) AC15 A600 / DC13 Q300
Dielectric Strength	1000VAC for 1 min between current carrying parts 2500VAC for 1 min between non-current carrying parts
Service Life	Mechanically 1.0 x 10 ⁷ (operations) Electrically 5 x 10 ⁵ (operations)
Operating Temperature	-25~+80°C (-13~176°F)
Humidity	< 95%RH
Degree of Protection	IP65/ IP67

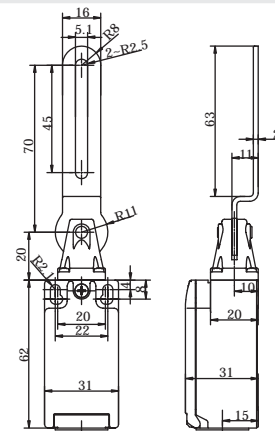
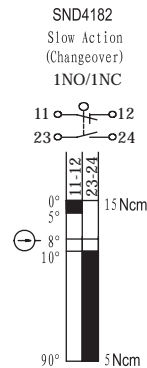
PLASTIC-BODIED Safety Switch

SND4182



Order Code Contact block
SND4182-SL SL slow action 1NO+1NC BBM

SND4182-S



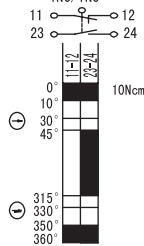
Order Code Contact block
SND4182-SL- S SL slow action 1NO+1NC BBM

SAFETY SWITCHES FOR HINGES LIDS/GUARDS

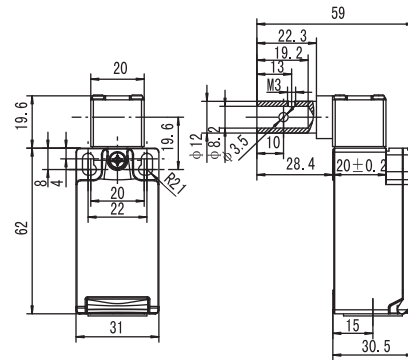
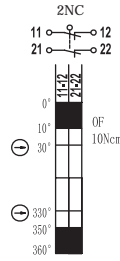
SND4181



SND4181-SL
Slow Action
(Changeover)



SND4181-SL2
Slow Action

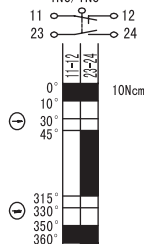


Order Code	Contact block		
SND4181-SL-	SL	⊕	slow action 1NO+1NC BBM
SND4181-SL2-	SL2	⊕	slow action 2NC

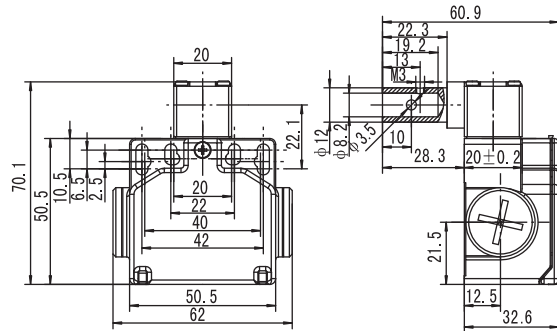
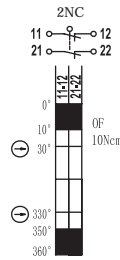
SND2181



SND2181-SL
Slow Action
(Changeover)



SND2181-SL2
Slow Action

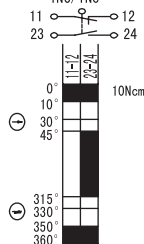


Order Code	Contact block		
SND2181-SL-	SL	⊕	slow action 1NO+1NC BBM
SND2181-SL2-	SL2	⊕	slow action 2NC

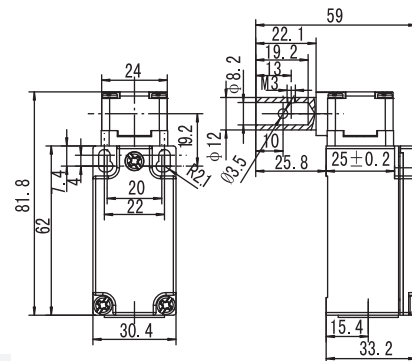
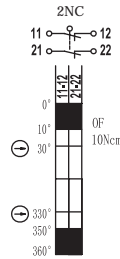
SN4181



SN4181-SL
Slow Action
(Changeover)



SN4181-SL2
Slow Action

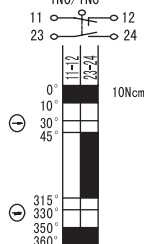


Order Code	Contact block		
SN4181-SL-	SL	⊕	slow action 1NO+1NC BBM
SN4181-SL2-	SL2	⊕	slow action 2NC

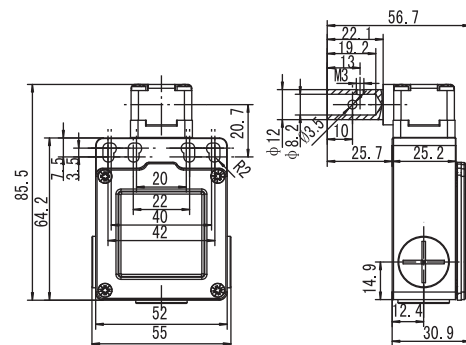
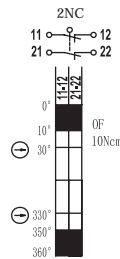
SN2181



SN2181-SL
Slow Action
(Changeover)



SN2181-SL2
Slow Action



Order Code	Contact block		
SN2181-SL-	SL	⊕	slow action 1NO+1NC BBM
SN2181-SL2-	SL2	⊕	slow action 2NC