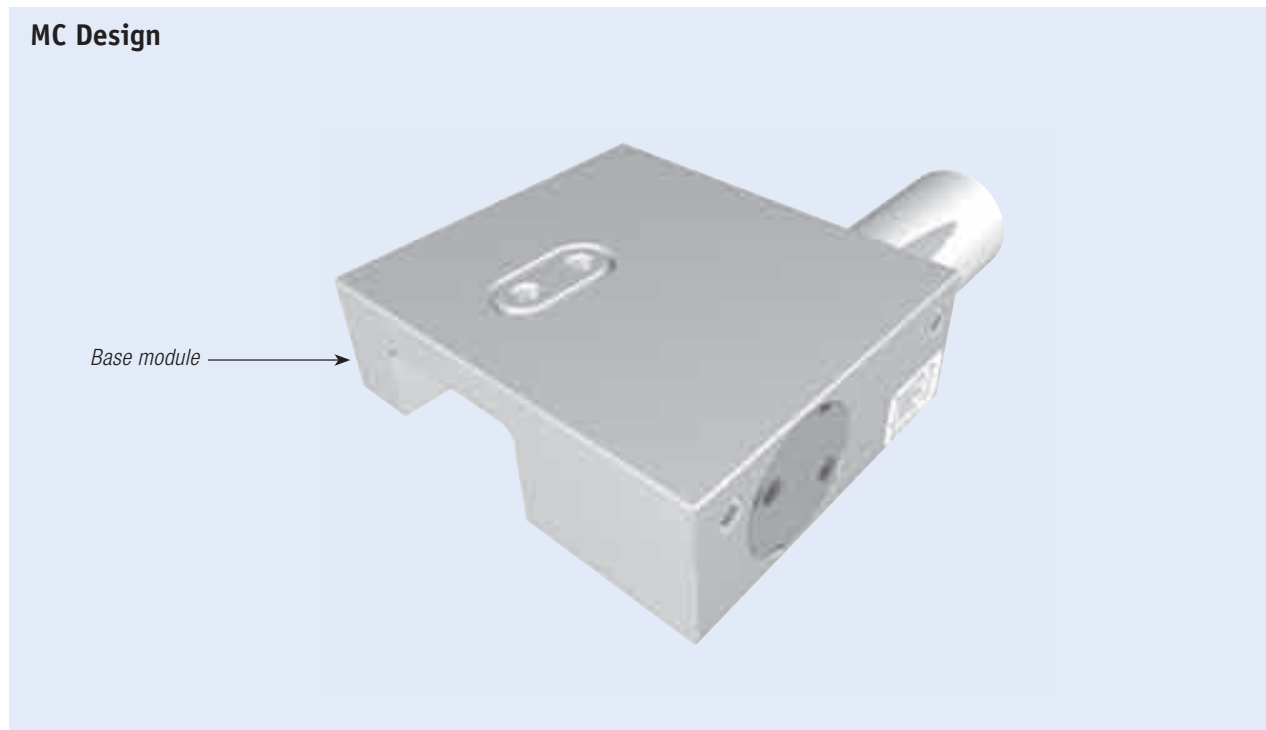


New product for miniature section rails: Miniature clamping MC.

The MC series was developed specially for miniature guide rails and can be used for miniature rail sizes from 5–20. They are asymmetrically arranged with respect to the rail axis, which makes it possible to keep the carriage width on one side.

The wrap-around clamp is floating, consequently there are no transverse forces in adjoining structures. This also enables a friction connection for the contact sections between the element and linear guide.

MC Design



Special characteristics:

- Clamping for miniature guiding systems
- Compact design
- Exact positioning
- Supporting forces up to 500 N
- Opening pressure >5.5 bar
- No lateral forces

Application scenarios for MC:

- Clamping in case of pressure drop
- Clamping of guide tables
- Clamping without energy requirement
- Axes positioning in neutral position

Connection options:

The air connection is located on the side.

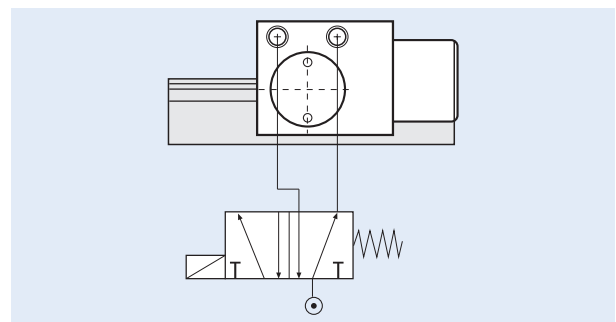
MC

Higher supporting forces with PLUS connection (MCPS):

By using a 5/2 (overflow-free) or 5/3 valve it is possible to support the spring power with pneumatic pressure. By using the PLUS connection, the stated supporting force will be increased.

When the PLUS connection (MCPS only) is being used the air-release filter is replaced by connecting a second pneumatic tube (see drawing).

For further information, please refer to the assembly instructions or visit www.zimmer-gmbh.com.



Rail manufacturer



Type of rail	Size	Type of carriage	Item number	Measure D [mm] ^{*2}	Measure Table [page 67]
SRS	9	SRS..M	MCP/MCPS 0901 H	10	5
	12	SRS..M	MCP/MCPS 1201 A	13	2
	15	SRS..M	MCP/MCPS 1501 H	16	3
	20	SRS..M	MCP/MCPS 2001 A	20	4
RSR	3	RSR..M, RSR..N	Ⓢ	4	
	5	RSR..M, RSR..N	Ⓢ	6	
	7	RSR..M, RSR..N, RSR..ZM	Ⓢ	8	
	9	RSR..KM, RSR..N, RSR..ZM	MCP/MCPS 0901 A	10	1
	12	RSR..VM, RSR..N, RSR..ZM	Ⓢ	13	
	15	RSR..VM, RSR..N, RSR..ZM	Ⓢ	16	
	20	RSR..VM, RSR..N	Ⓢ	20	

Rail manufacturer



0445	7	0442..7, 0444..7	Ⓢ	8	
	9	0442..9/M3, 0442..9/M2, 0444..9/M3	MCP/MCPS 0901 A	10	1
	12	0442..12, 0444..12	MCP/MCPS 1205 A	13	2
	15	0442..15, 0444..15	MCP/MCPS 1505 A	16	3
	20	0442..20	Ⓢ	25	

Rail manufacturer



MN	7	MNN	Ⓢ	8	
	9	MNN	MCP/MCPS 0901 A	10	1
	12	MNN	MCP/MCPS 1201 A	13	2
	15	MNN	MCP/MCPS 1504 A	16	3

Rail manufacturer



LWL	5	LWLC..B, LWLC..N, LWL..B, LWL..N	Ⓢ	6	
	7	LWLC..B, LWLC..N, LWL..B, LWL..N, LWLG..B, LWLG..N	Ⓢ	8	
	9	LWLC..B, LWLC..N, LWL..B, LWL..N, LWL..BCS, LWLG..B, LWLG..N	MCP/MCPS 0901 A	10	1
	12	LWLC..B, LWL..B, LWL..BCS, LWLG..B	MCP/MCPS 1201 A	13	2
	15	LWLC..B, LWL..B, LWL..BCS, LWLG..B	MCP/MCPS 1504 A	16	3
	20	LWLC..B, LWL..B, LWL..BCS, LWLG..B	MCP/MCPS 2001 A	20	4
25	LWLC..B, LWL..B, LWLG..B,	Ⓢ	25		

Rail manufacturer



TKDM (KUME)	5	KWEM, KWEM..-C	Ⓢ	6	
	7	KWEM, KWEM..-L, KWEM..-C	Ⓢ	8	
	9	KWEM, KWEM..-L, KWEM..-C	MCP/MCPS 0901 A	10	1
	12	KWEM, KWEM..-L, KWEM..-C	MCP/MCPS 1201 A	13	2
	15	KWEM, KWEM..-L, KWEM..-C	MCP/MCPS 1504 A	16	3

Rail manufacturer



MGN	9	MGN..C, MGN..H	MCP/MCPS 0901 A	10	1
	12	MGN..C, MGN..H	MCP/MCPS 1201 A	13	2
	15	MGN..C, MGN..H	MCP/MCPS 1504 A	16	3

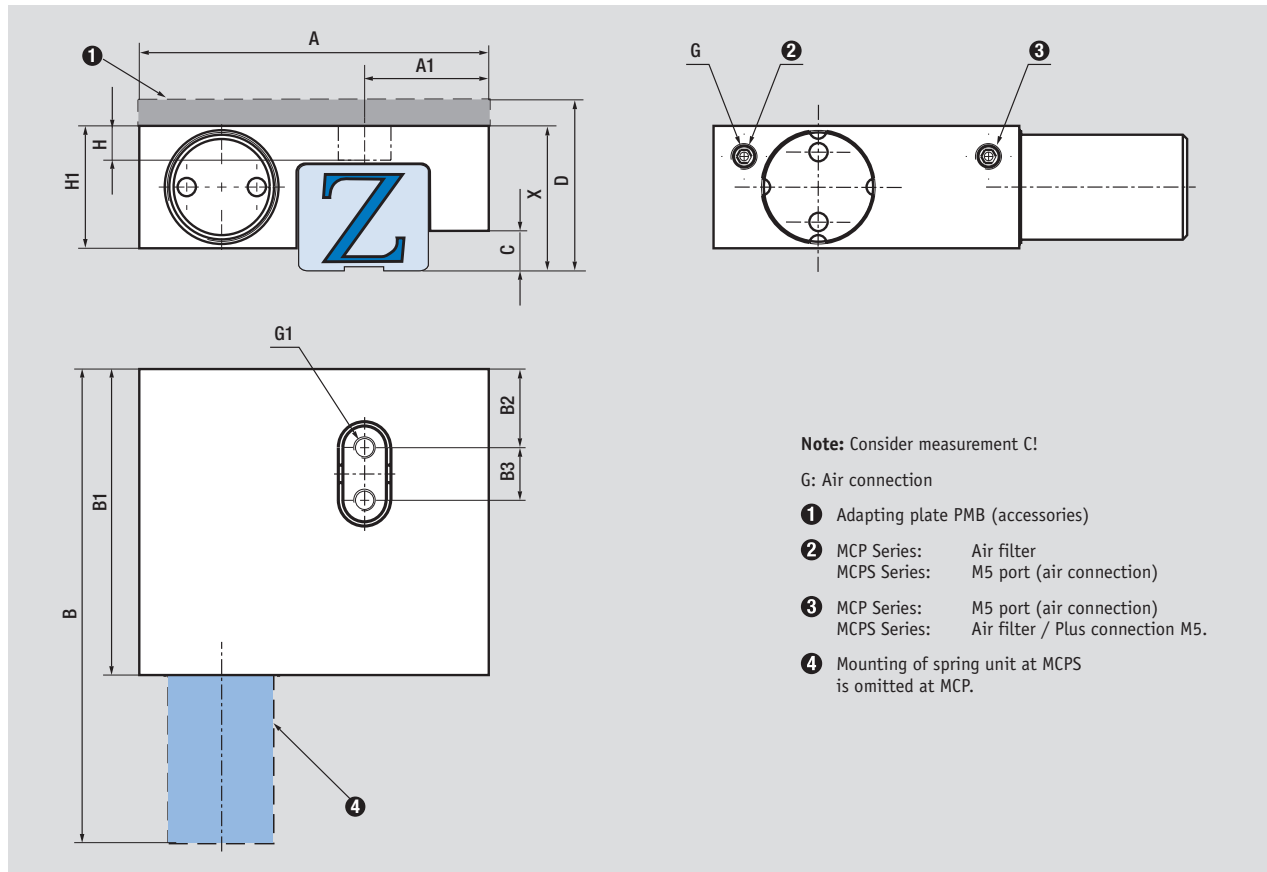
Rail manufacturer



LU PU	5	LU..TL, PU..TR	Ⓢ	6	
	7	LU..AL, PU..AR	Ⓢ	8	
	9	LU..AR, LU..TR, LU..AL, LU..TL, LU..BL, LU..UL, PU..TR	MCP/MCPS 0901 A	10	1
	12	LU..AR, LU..TR, LU..AL, LU..TL, LU..BL, LU..UL, PU..TR	MCP/MCPS 1201 A	13	2
	15	LU..AL, LU..BL, PU..AL	MCP/MCPS 1504 A	16	3

*2 Supplements the measure table and datasheet

See page 12 for part number explanation



MC

Measure table	Holding power [N] MCP	Holding power [N] MCPS	A [mm]	A1 [mm]	B [mm]	B1 [mm]	B2 [mm]	B3 [mm]	C [mm]	X [mm]	G	G1	H [mm]	H1 [mm]
1	130	80	32,5	9,7	53	34	8,25	5,5	2,15	10	M3	M2,5	3,3	15
2	280	240	37,5	13,2	53,2	34	8,25	5,5	2,95	13	M3	M2,5	3,5	16
3	320	280	41,5	15,7	53,2	34	8	6	3,95	16	M3	M2,5	3,8	16
4	550	400	48,7	19,7	60	41	10,5	8	2,45	20	M3	M4	6,2	23
5	200	170	32	9,2	46	34	8,25	5,5	2,05	10	M3	M2,5	3,3	14