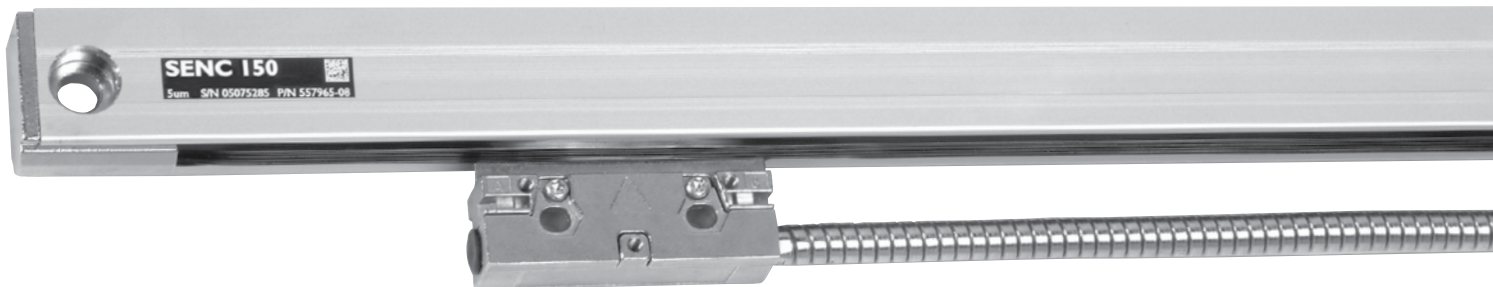


SENC 150 PRECISION GLASS SCALE



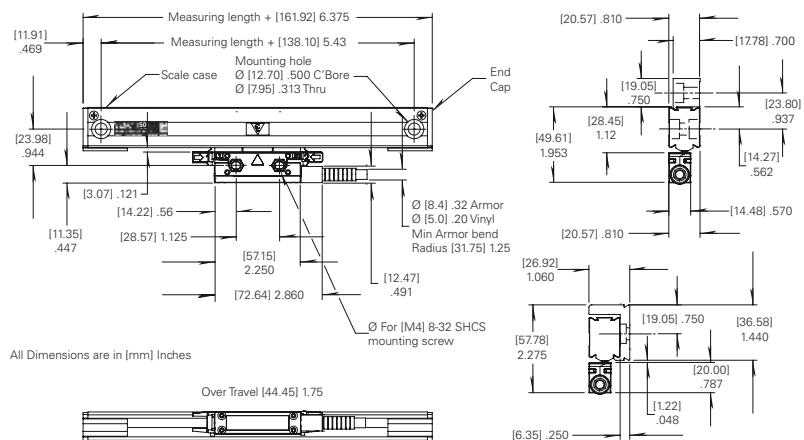
The SENC 150 Precision Glass Scale Linear Encoder incorporates the latest innovation in roller bearing technology for reduced backlash and greater scale travel life. This scale also features a highly integrated scanning sensor that provides even greater contamination resistance. The SENC 150 Precision Glass Scale is designed to satisfy a wide range of application needs including but not limited to, EDMs, grinders, lathes, milling machines and inspection equipment. An SENC 150 Precision Glass Scale withstands elements of contamination found in even the harshest environment. All ACU-RITE® Precision Glass Scales incorporate our longstanding tradition of quality, reliability, durability and dependability at an affordable price.

Product Features

- Travel Lengths of 2" (.05m) - 120" (3.04m)
- Multiple Resolutions with Exceptional Accuracy
0.5µm (.00002"), 1µm (.00004"), 5µm (.0002")
- Armored or Vinyl Cable Available
- Flexible Mounting Features
- Durable and Rugged Scale Case
- Position-Trac™ - Enables Quick, Easy Workpiece Zero-Reset After Power Loss

ACU-RITE®

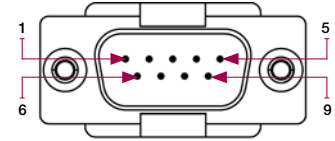
SENC 150 Assembly and Mounting Dimensions



SENC 150 Technical Data

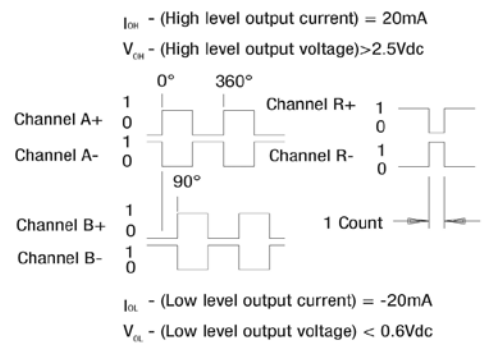
ELECTRICAL SPECIFICATIONS	DIGITAL	ANALOG
Light Source	LED (Light-Emitting Diode)	
Operating Voltage (VDC)	5.1 ± 0.1	5.0 ± 0.1
Operating Current (Max. mA)	0.5µm, 1µm 220mA 5µm 180 mA	75
Output Signals Incremental	Square-Wave Voltage Signals Channels A and B, in 90° Quadrature Relationship	Similar Phasing, but Differential Sinusoidal Current or Voltage Output
RM	One Square-Wave Signal	Differential Current or Voltage Output
Signal Levels	TTL-Level	7-16 µA _{pp} or 1.0 V _{pp} <small>(w/ 1K Ohm load)</small>
RM	TTL-Level	2-8 µA _{pp} or 1.2 V _{pp} <small>(w/ 100K Ohm load)</small>

MECHANICAL SPECIFICATIONS	DIGITAL	ANALOG
Resolution	.5, 1, 5 µm	
Grating Pitch	20 µm	
Scale Medium	Reflective from Nickel-Coated Glass	
Accuracy (@20°C) in any 1000mm	± 10µm/m	
Max. Slew Speed	40 in/sec	
Force Required to Move Reading Head	≤ 0.75 lbs.	
Operating Environment Temperature	0° to 50°C	
Relative Humidity	25% to 95% (non-condensing)	
Storage Environment Temperature	-20° to 70°C	
Storage Environment Humidity	20% to 95% (non-condensing)	
Weight (lbs)	1.4 + 0.05/ft of measuring length	
Connecting Cable (Armored or Vinyl)	Length = 5, 13, 19 ft. Connector: DE-9P	
Maximum Cable Length	35 ft.	70 ft.
Measuring Lengths	2 – 120	
Reference Mark Interval	50mm fixed or Position-Trac™	
Protection (IEC 529)	IP53 when installed as per instructions IP64 with Air Purge	



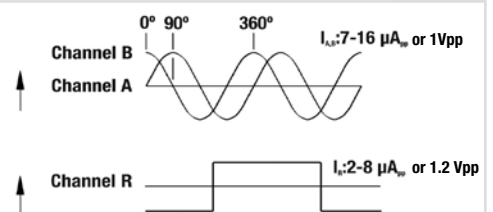
Digital Pin-Outs and Output Signals

PIN	SIGNAL	WIRE
1	No Connect	
2	Channel A+	Green
3	Channel A-	Yellow
4	Channel B+	Blue
5	Channel B-	Red
6	Ground <i>Power Supply and Signal Return</i>	White
7	Supply Voltage	Brown
8	Channel R+ <i>+ Reference Mark</i>	Pink
9	Channel R- <i>- Reference Mark</i>	Gray
Shell	Shield	



Analog Pin-Outs and Output Signals

PIN	SIGNAL	WIRE
1	Ground	White
2	Channel A+	Green
3	Channel A-	Yellow
4	Channel B+	Blue
5	Channel B-	Red
6	N/C	
7	Supply Voltage	Brown
8	Channel R+ <i>+ Reference Mark</i>	Pink
9	Channel R- <i>- Reference Mark</i>	Gray
Shell	Shield	



ACU-RITE®

HEIDENHAIN CORPORATION

333 East State Parkway
Schaumburg, IL 60173-5337 USA

☎ (847) 490-1191

☎ (847) 490-3931

✉ info@heidenhain.com

www.acu-rite.com