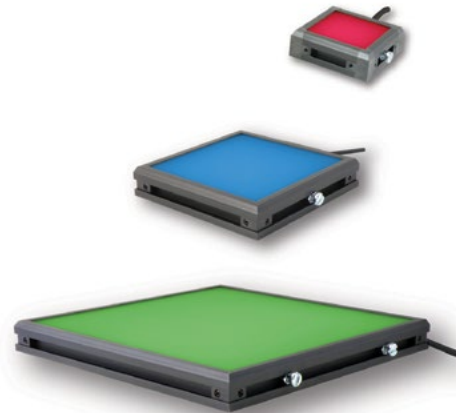





Expandable

Product Highlights

- Extremely consistent light over the entire active area of illumination
- Available in 1" x 1" increments; Sizes from 1" x 1" up to 22" x 34"

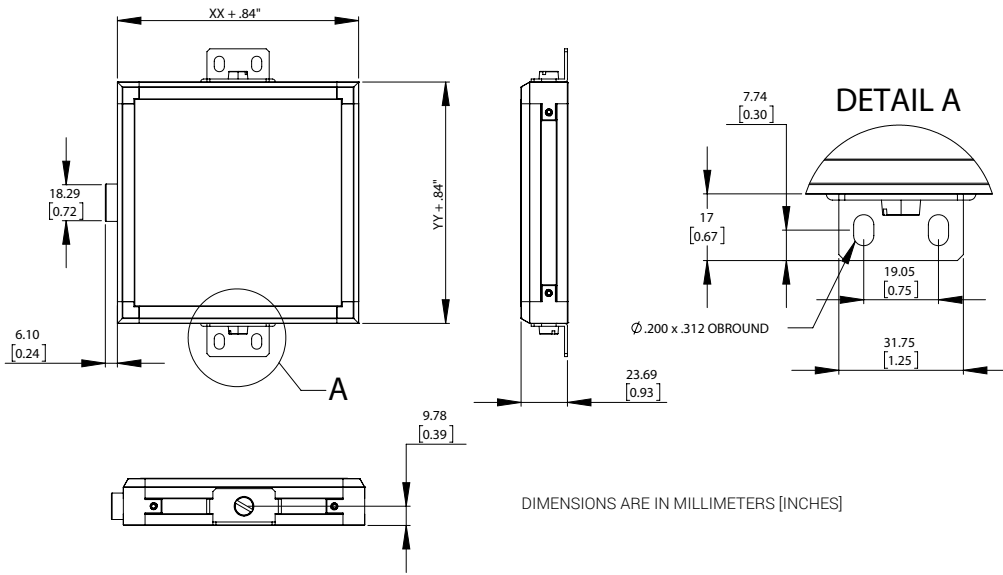


General Specifications

Electrical Specifications	Color	24v Current	All Other Controls
	660, 880	0.03 A per sq. inch	0.018 A Max per sq. inch
	470, 520, WHI	0.02 A per sq. inch	0.015 A Max per sq. inch
Normal Operating Temperature	0 - 60°C		
Weight (g)	8" X 8" unit - 1034.2g (36.48oz)		
Standard Cable Information	Up to 2 meters (80") long - 105°C rated PVC jacket, foil shield with drain.		
Photobiological Risk Factor IEC 62471	Exempt (No-Risk) Applicable Wavelengths: 880 Group 1 (Low-Risk) Applicable Wavelengths: 470, 520, 660, WHI		
Compliance			
IP Rating	IP50		
Lumen Maintenance	L70 = 50,000 hours		

BL 2D Expandable Series

Mechanical Specifications



Note: Please contact the factory if brackets are required on power side and non power side as that is considered a non-standard build.

Part Number Key

Model	Height	Width (Cable Side)	—	Spectral Wavelength	Connector/Control	Optional Conditioning	—	Alternative Connector
BL	XX	YY	—	XXX	XX	X	—	XXX
BL	in 1" increments from 1" to 34"	in 1" increments from 1" to 34"		(blue) 470 (green) 520 (red) 660 (infra-red) 880 (white) WHI	C1 C5 IC I3S 24	P ² (Polarizer)		M12 ¹
Ex: BL0312-455C1P BL0608-660IC-M12					¹ Available with IC, I3, I3S and 24v ² Maximum size: 16" X 16", (blue) 470 will reduce the life of the polarizer			

Stock Product: *shipped within 3 days*

Build to Order: *shipped within 2 weeks*

BL0202-66024 BL0404-66024 BL0808-66024
 BL0202-660IC BL0404-660IC
 BL0202-WHI24 BL0404-WHIIC
 BL0404-WHI24

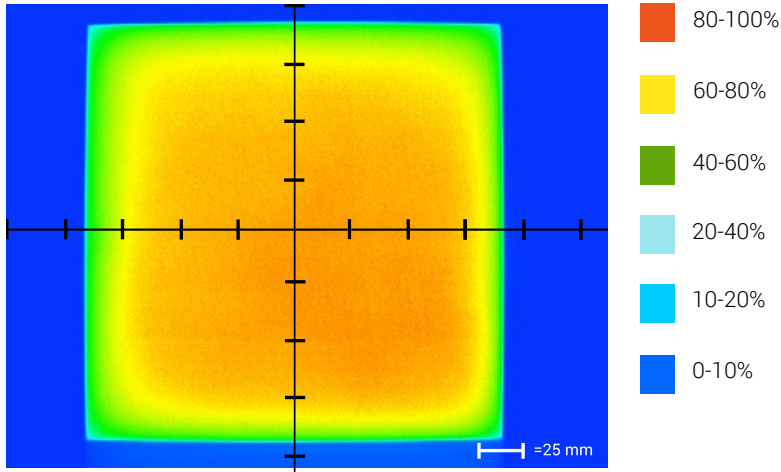
Connector | Control Options

C1 Connector	C5 Connector	ICS 2 (IC)	ICS 3 (I3)	ICS 3S (I3S)	24
For use with: DCS Series Controllers	For use with: Pulsar 320 Strobe Controller.	Continous in-line controller <i>Powered with: 24V power supply</i>	Combination strobe/continous in-line controller <i>Powered with: 24V power supply</i>	Default-OFF strobe/continous in-line controller <i>Powered with: 24V power supply</i>	Flying/tinned leads <i>Powered with: 24V power supply</i>

BL 2D Expandable Series

Optical Performance

Intensity Distribution



Optical measurement taken using BL0808-66024

Area of Illuminance & Intensity

Working Area (FWHM)
@ Working Distance

Light Output

193 X 193 (mm)
@surface



Irradiance (W/M²): Min 20.4; Typ 24
Illuminance (kLux): Min 2.6 ; Typ 3

Operation and Wiring

ICS 2 (IC)

Pin (M12)	Function	Wire Color
1	+24 VDC	Brown
2	0-10 VDC Analog Control	White
3	DCGND	Blue
4	GLO	Black

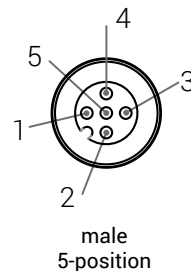
ICS 3 (I3 and I3S)

Pin (M12)	Function	Wire Color
1	+24 VDC	Brown
2	Reserved	White
3	GND	Blue
4	PNP/Active High Trigger	Black
5	0-10 VDC Analog Control	Gray

24 Volt

Pin (M12)	Function	Wire Color
1	+24 VDC	Brown
2	N/A	White
3	GND	Blue
4	N/A	Black

Optional M12 Pinout



BL 2D Expandable Series

Warranty Information

Every Advanced illumination, Inc. (Ai) product is thoroughly inspected and tested before leaving the factory. Products are warranted to be free of defects in workmanship and materials for a period of two years from the original date of purchase. Should a defect develop during this period, please contact Ai Customer Service or your Ai distributor for a Return Merchandise Authorization (RMA), and return the complete product, freight prepaid, to Ai. If a defect is found, Ai will - at our discretion - repair or replace the product without charge. Ai claims no liability for any implied warranties, including "merchantability" and "fitness for a specific purpose."

Electromagnetic Compatibility

This product was tested and complies with the regulatory requirements and limits for electromagnetic compatibility (EMC) as stated in the product specifications. These requirements and limits are designed to provide reasonable protection against harmful interference only when the product is operated in its intended industrial electromagnetic environment. To minimize the potential for electromagnetic interference or unacceptable performance degradation, install and use this product in strict accordance with the instructions in the product documentation.

Customer Service

For information on existing orders, or to make an order adjustment, contact us Monday through Friday 8:00 am to 5:00 pm, EST or send an email to orders@advill.com.

Company Information

Advanced Illumination

440 State Garage Road, Rochester VT. 05767

Phone: 802.767.3830

Fax: 802.767.3831

Email: info@advancedillumination.com

Web: advancedillumination.com

© 2015 Advanced Illumination Inc. All rights reserved