




Product Highlights

- High Intensity light in a small package - only 32.2mm (1.26") wide
- Expandable in 2" increments; lengths from 2" to 20"
- Washdown option available
- Diffuse lighting; good for close working distance
- Convenient M4 nut channel for mounting
- Broad range of wavelengths available



General Specifications

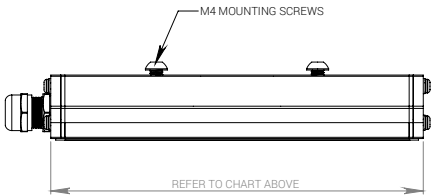
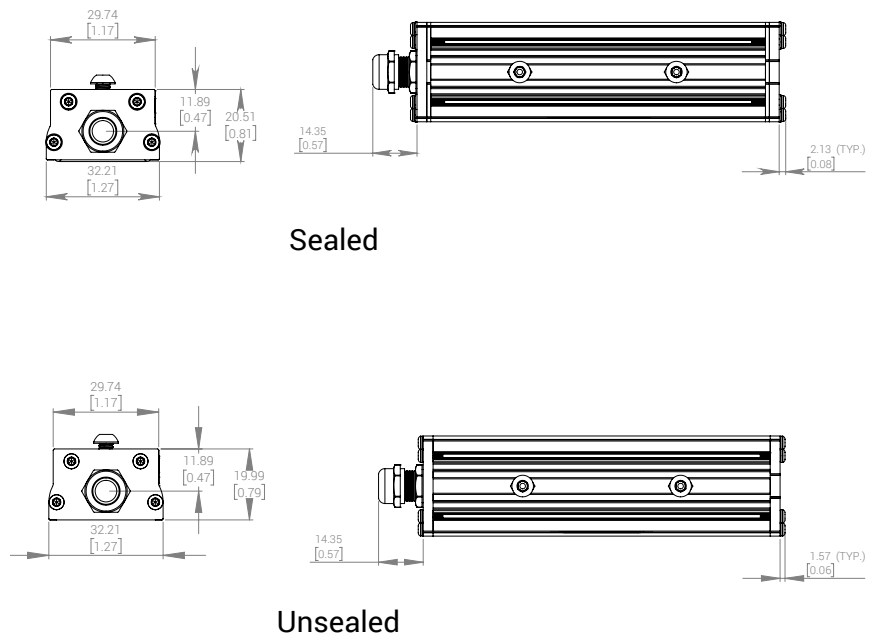
	Color	24v Current	All Other Controls
Electrical Specifications	365, 375, 385, 395, 405	0.24A per 2 inch	0.15A Max per 2 inch
	455, 470, 530, WHI	0.24A per 2 inch	0.19A Max per 2 inch
	590, 625	0.24A per 2 inch	0.21A Max per 2 inch
	850, 940	0.24A per 2 inch	0.23A Max per 2 inch
Normal Operating Temperature	0 - 60°C		
Weight (g)	Per 4" (Sealed) 82.55mm (2.91oz) (Nonsealed) 78.02g (2.75oz)		
Standard Cable Information	Up to 2 meters (80") long - 105°C rated PVC jacket, foil shield with drain.		
Photobiological Risk Factor IEC 62471	Exempt Applicable Wavelengths: 850, 940 Group 1 (Low-Risk) Applicable Wavelengths: 455, 470, 530, 590, 625, WHI Group 2 (Moderate Risk) Applicable Wavelengths: 365, 375, 385, 395, 405		
Compliance			
IP Rating	IP65 Sealed, IP50 Unsealed		
Lumen Maintenance	L70 = 50,000 hours		

AL116 Expandable Series

Mechanical Specifications

Unsealed		Sealed	
Part #	Length in mm (inches)	Part #	Length in mm (inches)
AL11602	64.0 (2.52)	AL11602	66.6 (2.62)
AL116 ¹	114.8 (4.52)	AL116 ¹	117.4 (4.62)
AL11606	165.6 (6.52)	AL11606	168.2 (6.62)
AL11608	216.4 (8.52)	AL11608	219.0 (8.62)
AL11610	267.2 (10.52)	AL11610	269.8 (10.62)
AL11612	318.0 (12.52)	AL11612	320.6 (12.62)
AL11614	368.8 (14.52)	AL11614	371.4 (14.62)
AL11616	419.6 (16.52)	AL11616	422.2 (16.62)
AL11618	470.4 (18.52)	AL11618	473.0 (18.62)
AL11620	521.2 (20.52)	AL11620	523.8 (20.62)

¹ AL116 does not require a two digit suffix to represent this length.

Part Number Key

Model	Illuminated Length	—	Spectral Wavelength	Connector/Control	Wash Down Option	Optional Light Conditioning	—	Alternative Connector
AL116	XX	—	XXX	XX	X	X	—	XXX
AL116	(2" increments from 2" to *20)		(UV) 365 ³ (UV) 375 ³ (UV) 385 ³ (UV) 395 ³ (UV) 405 ³ (royal blue) 455 (blue) 470 (green) 530 (amber) 590 (red orange) 625 (infra-red) 850 (infra-red) 940 (white) WHI	C1 C5 IC I3 I3S 24	W	D (diffuser) P ² (polarizer)		M12 ¹
Ex: AL11602-WHIIC AL11618-625C5W				¹ Available with IC, I3, I3S and 24v options only ² Not available with washdown option (blue) 470 will reduce the life of the polarizer ³ Not available with diffuser or polarizer option				

Stock Product: shipped within 3 days **Build to Order:** shipped within two weeks
AL116-WHIIC

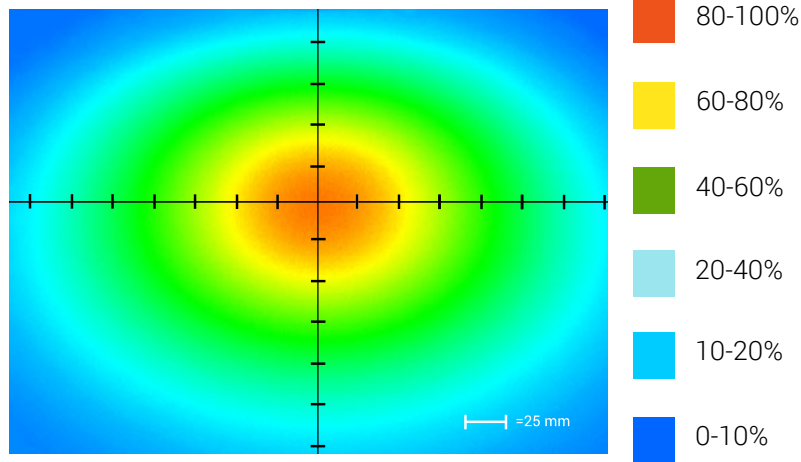
Connector | Control Options

C1 Connector	C5 Connector	ICS 2 (IC)	ICS 3 (I3)	ICS 3S (I3S)	24
For use with: DCS Series Controllers	For use with: Pulsar 320 Strobe Controller.	Continuous in-line controller Powered with: 24V power supply	Combination strobe/continuous in-line controller Powered with: 24V power supply	Default-OFF strobe/continuous in-line controller Powered with: 24V power supply	Flying/tinned leads Powered with: 24V power supply

AL116 Expandable Series

Optical Performance

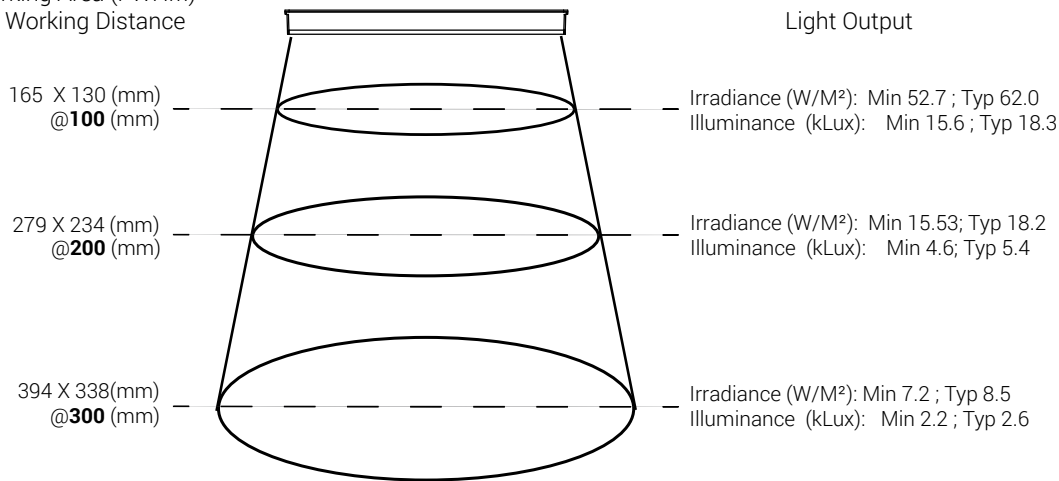
Intensity Distribution



Optical measurement taken using AL116-WHIC Rev. A @ 200 mm

Area of Illuminance & Intensity

Working Area (FWHM)
@ Working Distance



Operation and Wiring

ICS 2 (IC)

Pin (M12)	Function	Wire Color
1	+24 VDC	Brown
2	0-10 VDC Analog Control	White
3	DCGND	Blue
4	GLO	Black

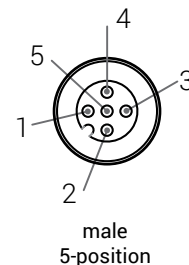
ICS 3 (I3 and I3S)

Pin (M12)	Function	Wire Color
1	+24 VDC	Brown
2	Reserved	White
3	GND	Blue
4	PNP/Active High Trigger	Black
5	0-10 VDC Analog Control	Gray

24 Volt

Pin (M12)	Function	Wire Color
1	+24 VDC	Brown
2	N/A	White
3	GND	Blue
4	N/A	Black

Optional M12 Pinout



AL116 Expandable Series

Warranty Information

Every Advanced illumination, Inc. (Ai) product is thoroughly inspected and tested before leaving the factory. Products are warranted to be free of defects in workmanship and materials for a period of two years from the original date of purchase. Should a defect develop during this period, please contact Ai Customer Service or your Ai distributor for a Return Merchandise Authorization (RMA), and return the complete product, freight prepaid, to Ai. If a defect is found, Ai will - at our discretion - repair or replace the product without charge. Ai claims no liability for any implied warranties, including "merchantability" and "fitness for a specific purpose."

Electromagnetic Compatibility

This product was tested and complies with the regulatory requirements and limits for electromagnetic compatibility (EMC) as stated in the product specifications. These requirements and limits are designed to provide reasonable protection against harmful interference only when the product is operated in its intended industrial electromagnetic environment. To minimize the potential for electromagnetic interference or unacceptable performance degradation, install and use this product in strict accordance with the instructions in the product documentation.

Customer Service

For information on existing orders, or to make an order adjustment, contact us Monday through Friday 8:00 am to 5:00 pm, EST or send an email to orders@advill.com.

Company Information

Advanced Illumination

440 State Garage Road, Rochester VT. 05767

Phone: 802.767.3830

Fax: 802.767.3831

Email: info@advancedillumination.com

Web: advancedillumination.com

© 2015 Advanced Illumination Inc. All rights reserved