



### Product Highlights

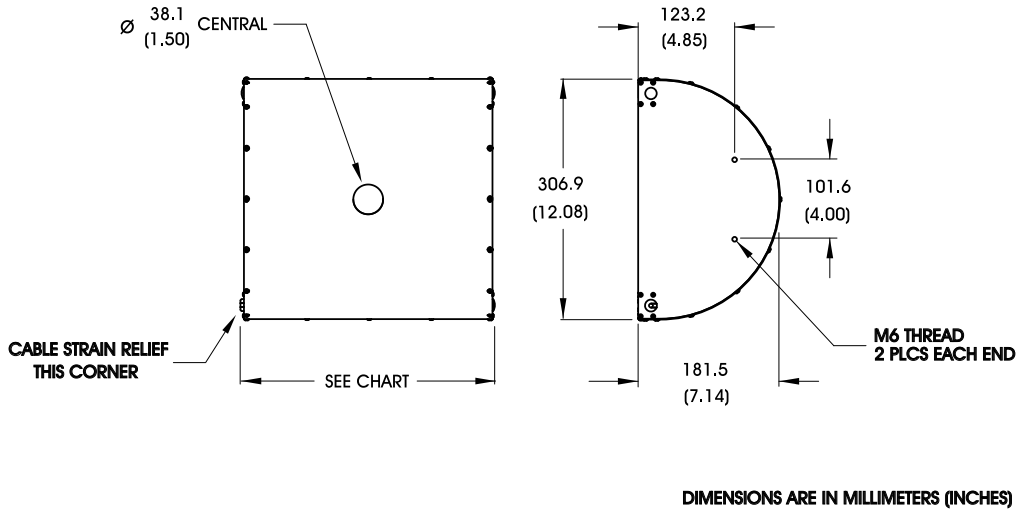
- 12" wide linear diffuse light for use with highly reflective materials
- Available in 6" increments; Lengths from 6" to 36"
- Can be built with up to 4 camera view holes



### General Specifications

Electrical Specifications	Color	24v Current	All Other Controls
	625	0.7 A per 6"	0.6125 A per 6" Max 36"
	470, 530, 590, 850, WHI	0.7 A per 6"	0.63 A per 6" Max 36"
Normal Operating Temperature	0 - 60°C		
Weight (g)	12" - 2708g (95.52oz)		
Standard Cable Information	Up to 2 meters (80") long - 105°C rated PVC jacket, foil shield with drain.		
Photobiological Risk Factor IEC 62471	<b>Exempt Applicable Wavelengths:</b> 850 <b>Group 1 (Low-Risk) Applicable Wavelengths:</b> 470, 530, 590, 625, WHI		
Compliance			
IP Rating	Not Rated		
Lumen Maintenance	L70 = 50,000 hours		

## Mechanical Specifications



Max # of view ports	
6"	2
12"	3
18"-36"	4

Part #	Length in mm (inches)
DL06706	165 (6.5)
DL06712	318 (12.5)
DL06718	470 (18.5)
DL06724	622 (24.5)
DL06730	775 (30.5)
DL06736	927 (36.5)

6" Increments up to a max of 36"

## Part Number Key

Model	View Port	Illuminated Length	—	Spectral Wavelength	Connector/Control	—	Alternative Connector
<b>DL067</b>	<b>X</b>	<b>XX</b>	<b>—</b>	<b>XXX</b>	<b>XX</b>	<b>—</b>	<b>XXX</b>
DL067	A (1 hole) B (2 holes) C (3 holes) D (4 holes)	XX 6" Increments up to 36"		(blue) 470 (green) 530 (amber) 590 (red) 625 (IR) 850 (white) WHI	C1 C5 IC I3 I3S 24		M12 <sup>1</sup>
Ex: DL067B06-625C1 DL067C12-WHII3					<sup>1</sup> Available with IC, I3, I3S and 24v		

**Stock Product:** shipped within 3 days  
None

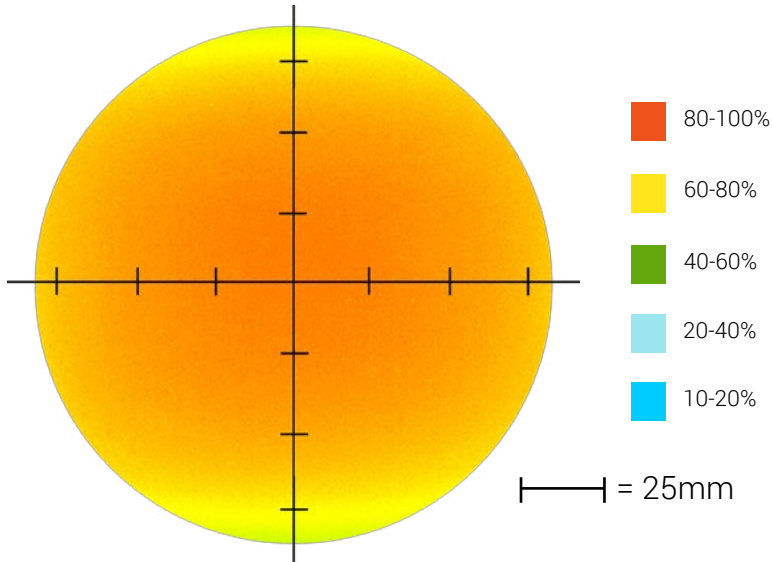
**Build to Order:** 12" one hole shipped within two weeks;  
six weeks for all others

## Connector | Control Options

C1 Connector	C5 Connector	ICS 2 (IC)	ICS 3 (I3)	ICS 3S (I3S)	24
For use with: DCS Series Controllers	For use with: Pulsar 320 Strobe Controller.	Continuous in-line controller  Powered with: 24V power supply	Combination strobe/continuous in-line controller  Powered with: 24V power supply	Default-OFF strobe/continuous in-line controller  Powered with: 24V power supply	Flying/tinned leads  Powered with: 24V power supply

## Optical Performance

### Intensity Distribution

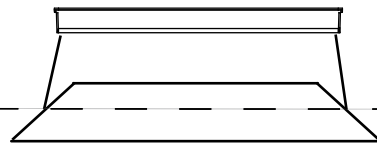


Optical measurement taken using DL067A12-WHIIC @ 25mm

### Area of Illuminance & Intensity

Working Area (FWHM)  
@ Working Distance

190.5 (mm) Dia  
@ 25 (mm)



Light Output

Irradiance (W/M<sup>2</sup>): Min 25.5; Typ 30.0  
Illuminance (kLux): Min 8.9; Typ 10.5

## Operation and Wiring

### ICS 2 (IC)

Pin (M12)	Function	Wire Color
1	+24 VDC	Brown
2	0-10 VDC Analog Control	White
3	DCGND	Blue
4	GLO	Black

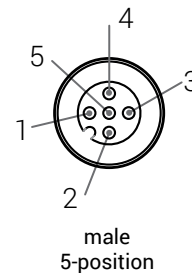
### ICS 3 (I3 and I3S)

Pin (M12)	Function	Wire Color
1	+24 VDC	Brown
2	Reserved	White
3	GND	Blue
4	PNP/Active High Trigger	Black
5	0-10 VDC Analog Control	Gray

### 24 Volt

Pin (M12)	Function	Wire Color
1	+24 VDC	Brown
2	N/A	White
3	GND	Blue
4	N/A	Black

### Optional M12 Pinout



## Warranty Information

Every Advanced illumination, Inc. (Ai) product is thoroughly inspected and tested before leaving the factory. Products are warranted to be free of defects in workmanship and materials for a period of two years from the original date of purchase. Should a defect develop during this period, please contact Ai Customer Service or your Ai distributor for a Return Merchandise Authorization (RMA), and return the complete product, freight prepaid, to Ai. If a defect is found, Ai will - at our discretion - repair or replace the product without charge. Ai claims no liability for any implied warranties, including "merchantability" and "fitness for a specific purpose."

## Electromagnetic Compatibility

This product was tested and complies with the regulatory requirements and limits for electromagnetic compatibility (EMC) as stated in the product specifications. These requirements and limits are designed to provide reasonable protection against harmful interference only when the product is operated in its intended industrial electromagnetic environment. To minimize the potential for electromagnetic interference or unacceptable performance degradation, install and use this product in strict accordance with the instructions in the product documentation.

## Customer Service

For information on existing orders, or to make an order adjustment, contact us Monday through Friday 8:00 am to 5:00 pm, EST or send an email to [orders@advill.com](mailto:orders@advill.com).

## Company Information

### **Advanced Illumination**

440 State Garage Road, Rochester VT. 05767

Phone: 802.767.3830

Fax: 802.767.3831

Email: [info@advancedillumination.com](mailto:info@advancedillumination.com)

Web: [advancedillumination.com](http://advancedillumination.com)

© 2015 Advanced Illumination Inc. All rights reserved