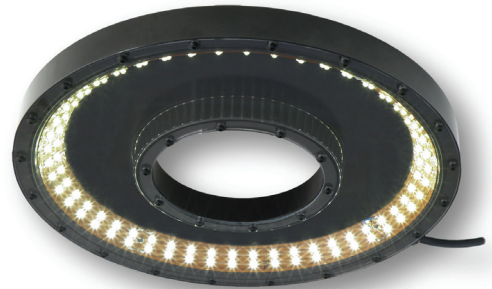


Product Highlights

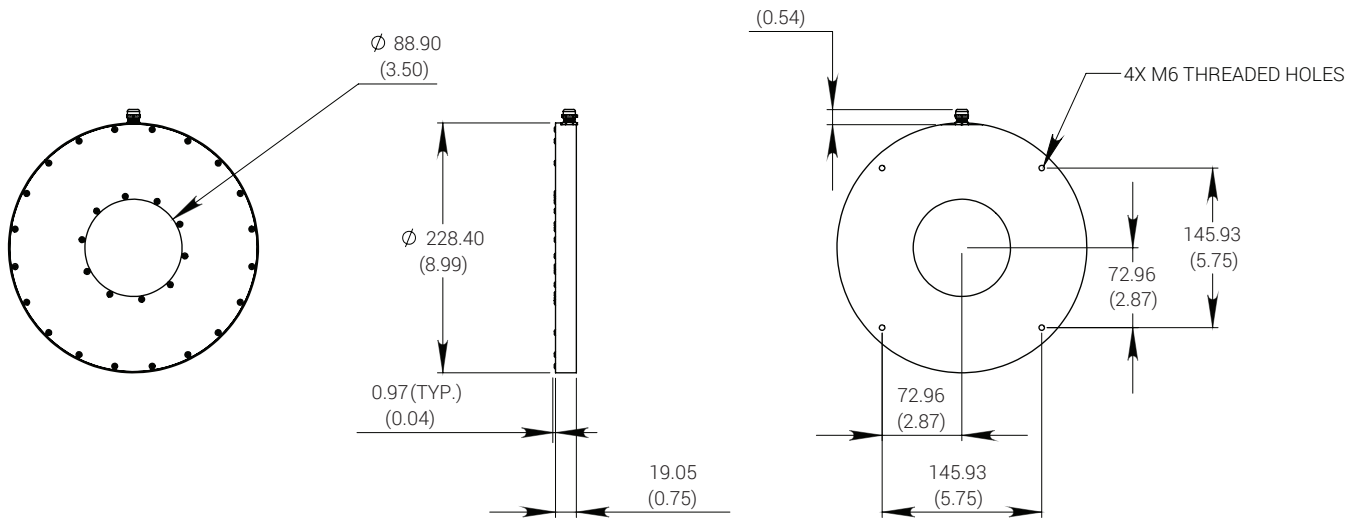
- Designed for multiple camera applications
- Provides illumination suitable for label and lid inspections
- IP67 compliant design



General Specifications

Electrical Specifications	Color	Controls
		470, 530, 625, WHI
Normal Operating Temperature	0 - 60°C	
Weight (kg)	963.9g (34.0 oz)	
Standard Cable Information	Up to 2 meters (80") long - 105°C rated PVC jacket, foil shield with drain.	
Photobiological Risk Factor IEC 62471	Group 1 (Low-Risk) Applicable Wavelengths: 470, 530, 625, WHI	
Compliance		
IP Rating	IP67	
Lumen Maintenance	L70 = 50,000 hours	

Mechanical Specifications



DIMENSIONS ARE IN MILLIMETERS (INCHES)

Part Number Key

Model	—	Spectral Wavelength	Connector/ Control
RL152	—	XXX	XX
RL152		(blue) 470 (green) 530 (red) 625 (white) WHI	C1 C5
Ex: RL152-625C1 RL152-530C5			

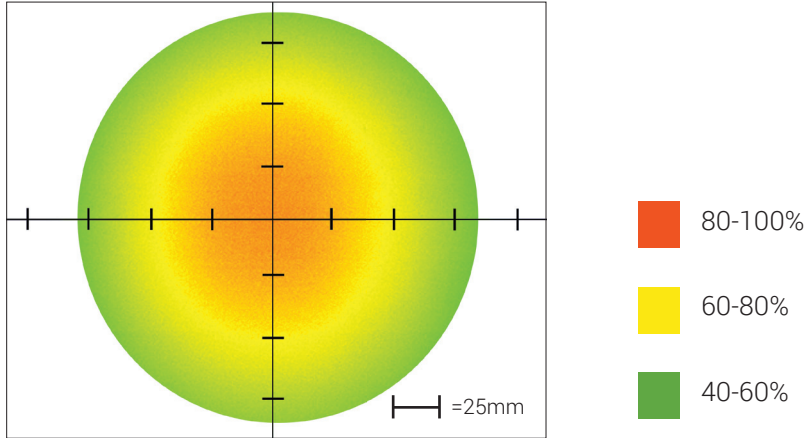
Stock Product: *shipped within 3 days* **Build to Order:** *shipped within 2 weeks*
 RL152-WHIC5

Connector | Control Options

C1 Connector	C5 Connector
For use with: DCS Series Controllers	For use with: Pulsar 320 Strobe Controller.

Optical Performance

Intensity Distribution



Optical measurement taken using RL152-WHIC5 @ 150 mm

Area of Illuminance & Intensity

Working Area (FWHM)
@ Working Distance

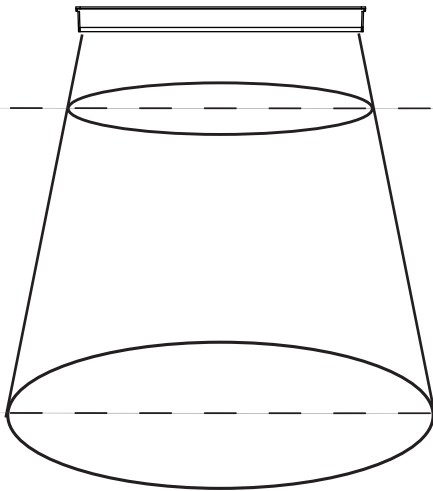
180 Dia (mm)
@ **75** (mm)

216 Dia (mm)
@ **150** (mm)

Light Output

Irradiance (W/M²): Min 110.5; Typ 130.0
Illuminance (kLux): Min 36.6; Typ 43.0

Irradiance (W/M²): Min 65.8; Typ 77.4
Illuminance (kLux): Min 21.9; Typ 25.8



Warranty Information

Every Advanced illumination, Inc. (Ai) product is thoroughly inspected and tested before leaving the factory. Products are warranted to be free of defects in workmanship and materials for a period of two years from the original date of purchase. Should a defect develop during this period, please contact Ai Customer Service or your Ai distributor for a Return Merchandise Authorization (RMA), and return the complete product, freight prepaid, to Ai. If a defect is found, Ai will - at our discretion - repair or replace the product without charge. Ai claims no liability for any implied warranties, including "merchantability" and "fitness for a specific purpose."

Electromagnetic Compatibility

This product was tested and complies with the regulatory requirements and limits for electromagnetic compatibility (EMC) as stated in the product specifications. These requirements and limits are designed to provide reasonable protection against harmful interference only when the product is operated in its intended industrial electromagnetic environment. To minimize the potential for electromagnetic interference or unacceptable performance degradation, install and use this product in strict accordance with the instructions in the product documentation.

Customer Service

For information on existing orders, or to make an order adjustment, contact us Monday through Friday 8:00 am to 5:00 pm, EST or send an email to orders@advill.com.

Company Information

Advanced Illumination

440 State Garage Road, Rochester VT. 05767

Phone: 802.767.3830

Fax: 802.767.3831

Email: info@advancedillumination.com

Web: advancedillumination.com

© 2015 Advanced Illumination Inc. All rights reserved