

Altech UL1077/508 Busbar System



UL1077/508 Listed Busbars

The Altech Busbar System is an innovative way to jumper up to 57 poles of Manual Motor Controllers (MMC) and Supplementary Protectors (SP).

The advantages of this busbar system are:

- 30% Installation time savings
- Panel space savings
- Reduced maintenance
- High electrical ratings

UL1077/508 Busbar System

- 1-57 different pin configurations
- 1/2 pole spacing (auxiliary switch) available
- Power Feeding:
Power Feed Lugs (115A), Direct Power Feed (115A), Power Feed Block (200A)
- UL recognized and listed for Altech's R-Series, V-EA Series and MA Series of Manual Motor Controllers and Supplementary Protectors
- UL recognized and listed for use with most popular UL1077 supplementary protectors and UL508 Manual Motor Controllers in the market.
- Customers can cut the Busbar without losing the UL approval
- Line/Load reversible

Technical Specifications

Material of Busbar

Busbars UL1077/ 508

Copper

Material of Insulation (Housing)

Polyamide

Electrical Ratings

18mm²: 80A/480VAC

25mm²: 100A/480VAC

Short Circuit Withstand Rating

10kA

Applying Standards

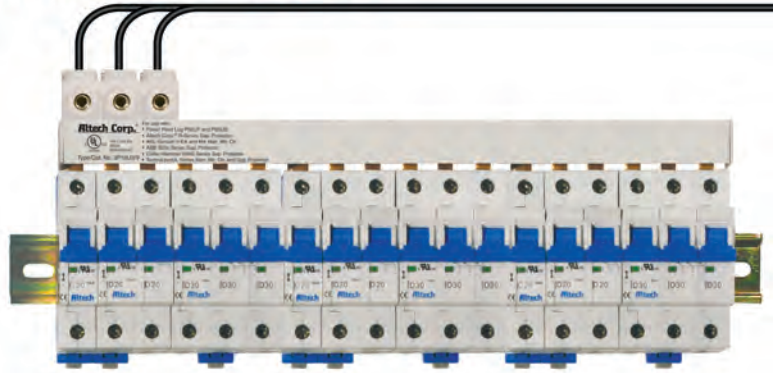
UL508, VDE0660 Part 100 and 502,

VDE 0606, VDE 0659

Without Altech Busbar System



With Altech Busbar System



Universal UL1077/508 Busbar fits most Supplementary Protectors and Manual Motor Controllers in the market!

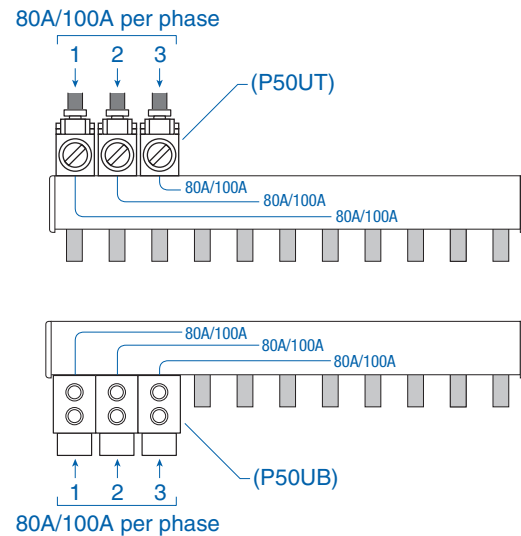
Altech UL1077/508 Busbar System

Power Feed Methods

1) Start/ End Feed Method

P50UT* / P50UB*

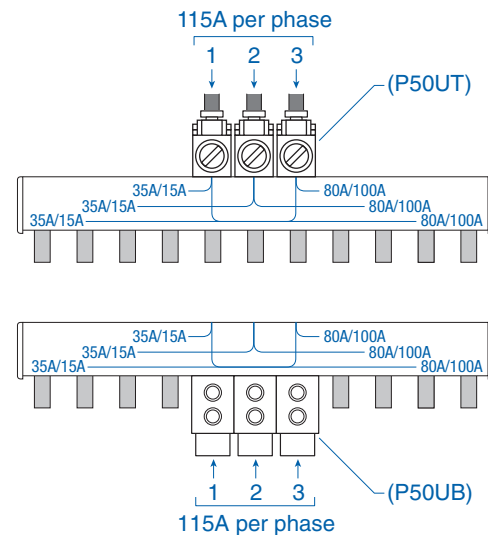
With the **P50UT** Power Feed Lug or the **P50UB** Modular Direct Power Feed as a Start/End Feeding Device a maximum input current of **80A/100A per Phase** can be achieved. 80A with 18mm² Busbar and 100A with 25mm² Busbar.



2) Center/ Middle Feed Method

P50UT* / P50UB*

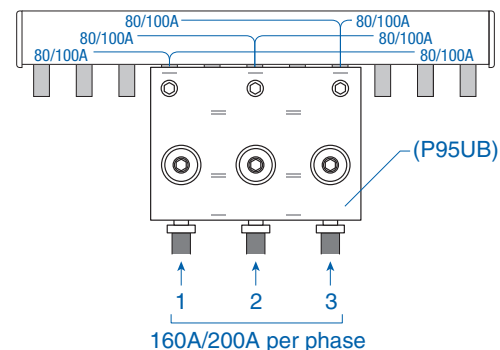
With the **P50UT** Power Feed Lug or the **P50UB** Modular Direct Power Feed as a Center/Middle Feeding Device a maximum input current of **115A per Phase** can be achieved. (18mm²: 80A + 35A; 25mm²: 100A + 15A)



P95UB*

With the **P95UB** Power Feed Block as a Center/Middle Feeding Device a maximum input current of **160A/200A per Phase** can be achieved (160A with 18mm² Busbar and 200A with 25mm² Busbar).

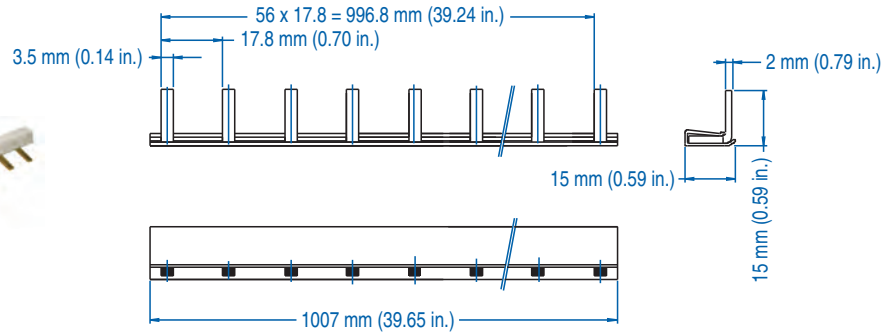
Note: The Power Feed Block can only be used with a standard spacing 3 Phase UL1077/508 Busbar.



* For complete specifications and description of Feeding Devices see page 78-79.

1 PHASE BUSBAR - standard spacing

18mm² for 80A



18mm² for 80A

| Type/ Cat. No. | No. of Pins | No. of MMC to Jumper | Length [mm] |
|-------------------|----------------|-------------------------|----------------|
| 1P18U1/2 | 2 | 2x1 pole | 32.5 |
| 1P18U1/3 | 3 | 3x1 pole | 50.3 |
| 1P18U1/4 | 4 | 4x1 pole | 68.0 |
| 1P18U1/5 | 5 | 5x1 pole | 85.8 |
| 1P18U1/6 | 6 | 6x1 pole | 103.5 |
| 1P18U1/7 | 7 | 7x1 pole | 121.3 |
| 1P18U1/8 | 8 | 8x1 pole | 139.0 |
| 1P18U1/9 | 9 | 9x1 pole | 156.8 |
| 1P18U1/10 | 10 | 10x1 pole | 174.5 |
| 1P18U1/11 | 11 | 11x1 pole | 192.3 |
| 1P18U1/12 | 12 | 12x1 pole | 210.0 |
| 1P18U1/13 | 13 | 13x1 pole | 227.8 |
| 1P18U1/14 | 14 | 14x1 pole | 245.5 |
| 1P18U1/15 | 15 | 15x1 pole | 263.3 |
| 1P18U1/16 | 16 | 16x1 pole | 281.0 |
| 1P18U1/17 | 17 | 17x1 pole | 298.8 |
| 1P18U1/18 | 18 | 18x1 pole | 316.5 |
| 1P18U1/19 | 19 | 19x1 pole | 334.3 |
| 1P18U1/20 | 20 | 20x1 pole | 352.0 |
| 1P18U1/21 | 21 | 21x1 pole | 369.8 |
| 1P18U1/22 | 22 | 22x1 pole | 387.5 |
| 1P18U1/23 | 23 | 23x1 pole | 405.3 |
| 1P18U1/24 | 24 | 24x1 pole | 423.0 |
| 1P18U1/25 | 25 | 25x1 pole | 440.8 |
| 1P18U1/26 | 26 | 26x1 pole | 458.5 |
| 1P18U1/27 | 27 | 27x1 pole | 476.3 |
| 1P18U1/28 | 28 | 28x1 pole | 494.0 |
| 1P18U1/29 | 29 | 29x1 pole | 511.8 |

18mm² for 80A

| Type/ Cat. No. | No. of Pins | No. of MMC to Jumper | Length [mm] |
|-------------------|----------------|-------------------------|----------------|
| 1P18U1/30 | 30 | 30x1 pole | 529.5 |
| 1P18U1/31 | 31 | 31x1 pole | 547.3 |
| 1P18U1/32 | 32 | 32x1 pole | 565.0 |
| 1P18U1/33 | 33 | 33x1 pole | 582.8 |
| 1P18U1/34 | 34 | 34x1 pole | 600.5 |
| 1P18U1/35 | 35 | 35x1 pole | 618.3 |
| 1P18U1/36 | 36 | 36x1 pole | 636.0 |
| 1P18U1/37 | 37 | 37x1 pole | 653.8 |
| 1P18U1/38 | 38 | 38x1 pole | 671.5 |
| 1P18U1/39 | 39 | 39x1 pole | 689.3 |
| 1P18U1/40 | 40 | 40x1 pole | 707.0 |
| 1P18U1/41 | 41 | 41x1 pole | 724.8 |
| 1P18U1/42 | 42 | 42x1 pole | 742.5 |
| 1P18U1/43 | 43 | 43x1 pole | 760.3 |
| 1P18U1/44 | 44 | 44x1 pole | 778.0 |
| 1P18U1/45 | 45 | 45x1 pole | 795.8 |
| 1P18U1/46 | 46 | 46x1 pole | 813.5 |
| 1P18U1/47 | 47 | 47x1 pole | 831.3 |
| 1P18U1/48 | 48 | 48x1 pole | 849.0 |
| 1P18U1/49 | 49 | 49x1 pole | 866.8 |
| 1P18U1/50 | 50 | 50x1 pole | 884.5 |
| 1P18U1/51 | 51 | 51x1 pole | 902.3 |
| 1P18U1/52 | 52 | 52x1 pole | 920.0 |
| 1P18U1/53 | 53 | 53x1 pole | 937.8 |
| 1P18U1/54 | 54 | 54x1 pole | 955.5 |
| 1P18U1/55 | 55 | 55x1 pole | 973.3 |
| 1P18U1/56 | 56 | 56x1 pole | 991.0 |
| 1P18U1/57 | 57 | 57x1 pole | 1008.8 |

ACCESSORIES



Type/Cat. No: P50UT-LP
Description: Power Feed Lug



Type/Cat. No: P50UB
Description: Modular Direct Power Feed



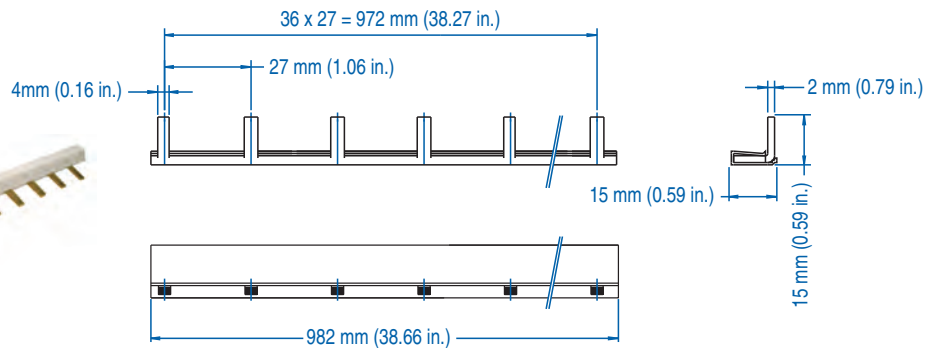
Type/Cat. No: BRB5W
Description: Insulation Cap



Type/Cat. No: 18/25CAP1P
Description: End Cap

1 PHASE BUSBAR - 1/2 pole spacing

18mm² for 80A



UL 489

UL 508

UL 1077

UL 1077
Equipment Breakers

Earth Leakage
Circuit Breakers

ANNEX

18mm² for 80A

18mm² for 80A

| Type/ Cat. No. | No. of Pins | No. of MMC to Jumper | Length [mm] |
|-------------------|----------------|-------------------------|----------------|
| 1P18U1H/2 | 2 | 2x1 pole | 39.0 |
| 1P18U1H/3 | 3 | 3x1 pole | 66.0 |
| 1P18U1H/4 | 4 | 4x1 pole | 93.0 |
| 1P18U1H/5 | 5 | 5x1 pole | 120.0 |
| 1P18U1H/6 | 6 | 6x1 pole | 147.0 |
| 1P18U1H/7 | 7 | 7x1 pole | 174.0 |
| 1P18U1H/8 | 8 | 8x1 pole | 201.0 |
| 1P18U1H/9 | 9 | 9x1 pole | 228.0 |
| 1P18U1H/10 | 10 | 10x1 pole | 255.0 |
| 1P18U1H/11 | 11 | 11x1 pole | 282.0 |
| 1P18U1H/12 | 12 | 12x1 pole | 309.0 |
| 1P18U1H/13 | 13 | 13x1 pole | 336.0 |
| 1P18U1H/14 | 14 | 14x1 pole | 363.0 |
| 1P18U1H/15 | 15 | 15x1 pole | 390.0 |
| 1P18U1H/16 | 16 | 16x1 pole | 417.0 |
| 1P18U1H/17 | 17 | 17x1 pole | 444.0 |
| 1P18U1H/18 | 18 | 18x1 pole | 471.0 |
| 1P18U1H/19 | 19 | 19x1 pole | 498.0 |

| Type/ Cat. No. | No. of Pins | No. of MMC to Jumper | Length [mm] |
|-------------------|----------------|-------------------------|----------------|
| 1P18U1H/20 | 20 | 20x1 pole | 525.0 |
| 1P18U1H/21 | 21 | 21x1 pole | 552.0 |
| 1P18U1H/22 | 22 | 22x1 pole | 579.0 |
| 1P18U1H/23 | 23 | 23x1 pole | 606.0 |
| 1P18U1H/24 | 24 | 24x1 pole | 633.0 |
| 1P18U1H/25 | 25 | 25x1 pole | 660.0 |
| 1P18U1H/26 | 26 | 26x1 pole | 687.0 |
| 1P18U1H/27 | 27 | 27x1 pole | 714.0 |
| 1P18U1H/28 | 28 | 28x1 pole | 741.0 |
| 1P18U1H/29 | 29 | 29x1 pole | 768.0 |
| 1P18U1H/30 | 30 | 30x1 pole | 795.0 |
| 1P18U1H/31 | 31 | 31x1 pole | 822.0 |
| 1P18U1H/32 | 32 | 32x1 pole | 849.0 |
| 1P18U1H/33 | 33 | 33x1 pole | 876.0 |
| 1P18U1H/34 | 34 | 34x1 pole | 903.0 |
| 1P18U1H/35 | 35 | 35x1 pole | 930.0 |
| 1P18U1H/36 | 36 | 36x1 pole | 957.0 |

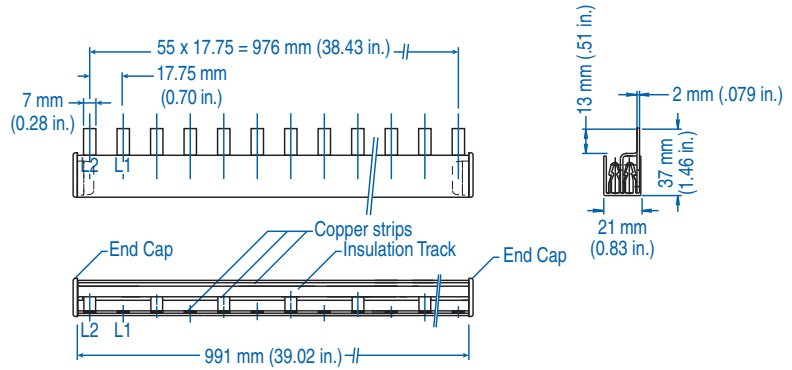
ACCESSORIES



| Type/Cat. No: | P50UT-LP | P50UB | BRB5W | 18/25CAP1P |
|---------------|----------------|---------------------------|----------------|------------|
| Description: | Power Feed Lug | Modular Direct Power Feed | Insulation Cap | End Cap |

2 PHASE BUSBAR - standard spacing

18mm² for 80A / 25mm² for 100A



18mm² for 80A

| Type/ Cat. No. | No. of Pins | No. of MMC to Jumper | Length [mm] |
|-------------------|----------------|-------------------------|----------------|
| 2P18U3/4 | 4 | 2x2 pole | 66.3 |
| 2P18U3/6 | 6 | 3x2 pole | 101.8 |
| 2P18U3/8 | 8 | 4x2 pole | 137.3 |
| 2P18U3/10 | 10 | 5x2 pole | 172.8 |
| 2P18U3/12 | 12 | 6x2 pole | 208.3 |
| 2P18U3/14 | 14 | 7x2 pole | 243.8 |
| 2P18U3/16 | 16 | 8x2 pole | 279.3 |
| 2P18U3/18 | 18 | 9x2 pole | 314.8 |
| 2P18U3/20 | 20 | 10x2 pole | 350.3 |
| 2P18U3/22 | 22 | 11x2 pole | 385.8 |
| 2P18U3/24 | 24 | 12x2 pole | 421.3 |
| 2P18U3/26 | 26 | 13x2 pole | 456.8 |
| 2P18U3/28 | 28 | 14x2 pole | 492.3 |
| 2P18U3/30 | 30 | 15x2 pole | 527.8 |
| 2P18U3/32 | 32 | 16x2 pole | 563.3 |
| 2P18U3/34 | 34 | 17x2 pole | 598.8 |
| 2P18U3/36 | 36 | 18x2 pole | 634.3 |
| 2P18U3/38 | 38 | 19x2 pole | 669.8 |
| 2P18U3/40 | 40 | 20x2 pole | 705.3 |
| 2P18U3/42 | 42 | 21x2 pole | 740.8 |
| 2P18U3/44 | 44 | 22x2 pole | 776.3 |
| 2P18U3/46 | 46 | 23x2 pole | 811.8 |
| 2P18U3/48 | 48 | 24x2 pole | 847.3 |
| 2P18U3/50 | 50 | 25x2 pole | 882.8 |
| 2P18U3/52 | 52 | 26x2 pole | 918.3 |
| 2P18U3/54 | 54 | 27x2 pole | 953.8 |
| 2P18U3/56 | 56 | 28x2 pole | 989.3 |

25mm² for 100A

| Type/ Cat. No. | No. of Pins | No. of MMC to Jumper | Length [mm] |
|-------------------|----------------|-------------------------|----------------|
| 2P25U3/4 | 4 | 2x2 pole | 66.3 |
| 2P25U3/6 | 6 | 3x2 pole | 101.8 |
| 2P25U3/8 | 8 | 4x2 pole | 137.3 |
| 2P25U3/10 | 10 | 5x2 pole | 172.8 |
| 2P25U3/12 | 12 | 6x2 pole | 208.3 |
| 2P25U3/14 | 14 | 7x2 pole | 243.8 |
| 2P25U3/16 | 16 | 8x2 pole | 279.3 |
| 2P25U3/18 | 18 | 9x2 pole | 314.8 |
| 2P25U3/20 | 20 | 10x2 pole | 350.3 |
| 2P25U3/22 | 22 | 11x2 pole | 385.8 |
| 2P25U3/24 | 24 | 12x2 pole | 421.3 |
| 2P25U3/26 | 26 | 13x2 pole | 456.8 |
| 2P25U3/28 | 28 | 14x2 pole | 492.3 |
| 2P25U3/30 | 30 | 15x2 pole | 527.8 |
| 2P25U3/32 | 32 | 16x2 pole | 563.3 |
| 2P25U3/34 | 34 | 17x2 pole | 598.8 |
| 2P25U3/36 | 36 | 18x2 pole | 634.3 |
| 2P25U3/38 | 38 | 19x2 pole | 669.8 |
| 2P25U3/40 | 40 | 20x2 pole | 705.3 |
| 2P25U3/42 | 42 | 21x2 pole | 740.8 |
| 2P25U3/44 | 44 | 22x2 pole | 776.3 |
| 2P25U3/46 | 46 | 23x2 pole | 811.8 |
| 2P25U3/48 | 48 | 24x2 pole | 847.3 |
| 2P25U3/50 | 50 | 25x2 pole | 882.8 |
| 2P25U3/52 | 52 | 26x2 pole | 918.3 |
| 2P25U3/54 | 54 | 27x2 pole | 953.8 |
| 2P25U3/56 | 56 | 28x2 pole | 989.3 |

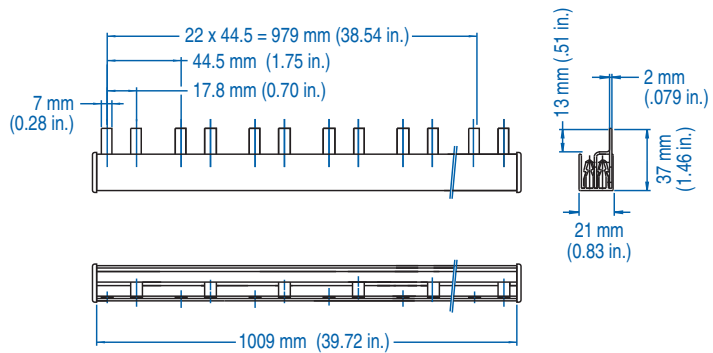
ACCESSORIES



| Type/Cat. No: | P50UT | P50UB | BRB5W | 18/25CAP3P |
|---------------|----------------|---------------------------|----------------|------------|
| Description: | Power Feed Lug | Modular Direct Power Feed | Insulation Cap | End Cap |

2 PHASE BUSBAR - 1/2 pole spacing

18mm² for 80A / 25mm² for 100A



18mm² for 80A

25mm² for 100A

| Type/ Cat. No. | No. of Pins | No. of MMC to Jumper | Length [mm] | Type/ Cat. No. | No. of Pins | No. of MMC to Jumper | Length [mm] |
|-------------------|----------------|-------------------------|----------------|-------------------|----------------|-------------------------|----------------|
| 2P18U3H/4 | 4 | 2x2 pole | 75.3 | 2P25U3H/4 | 4 | 2x2 pole | 75.3 |
| 2P18U3H/6 | 6 | 3x2 pole | 119.8 | 2P25U3H/6 | 6 | 3x2 pole | 119.8 |
| 2P18U3H/8 | 8 | 4x2 pole | 164.3 | 2P25U3H/8 | 8 | 4x2 pole | 164.3 |
| 2P18U3H/10 | 10 | 5x2 poles | 208.8 | 2P25U3H/10 | 10 | 5x2 pole | 208.8 |
| 2P18U3H/12 | 12 | 6x2 pole | 253.3 | 2P25U3H/12 | 12 | 6x2 pole | 253.3 |
| 2P18U3H/14 | 14 | 7x2 pole | 297.8 | 2P25U3H/14 | 14 | 7x2 pole | 297.8 |
| 2P18U3H/16 | 16 | 8x2 pole | 342.3 | 2P25U3H/16 | 16 | 8x2 pole | 342.3 |
| 2P18U3H/18 | 18 | 9x2 pole | 386.8 | 2P25U3H/18 | 18 | 9x2 pole | 386.8 |
| 2P18U3H/20 | 20 | 10x2 pole | 431.3 | 2P25U3H/20 | 20 | 10x2 pole | 431.3 |
| 2P18U3H/22 | 22 | 11x2 pole | 475.8 | 2P25U3H/22 | 22 | 11x2 pole | 475.8 |
| 2P18U3H/24 | 24 | 12x2 pole | 520.3 | 2P25U3H/24 | 24 | 12x2 pole | 520.3 |
| 2P18U3H/26 | 26 | 13x2 pole | 564.8 | 2P25U3H/26 | 26 | 13x2 pole | 564.8 |
| 2P18U3H/28 | 28 | 14x2 pole | 609.3 | 2P25U3H/28 | 28 | 14x2 pole | 609.3 |
| 2P18U3H/30 | 30 | 15x2 pole | 653.8 | 2P25U3H/30 | 30 | 15x2 pole | 653.8 |
| 2P18U3H/32 | 32 | 16x2 pole | 698.3 | 2P25U3H/32 | 32 | 16x2 pole | 698.3 |
| 2P18U3H/34 | 34 | 17x2 pole | 742.8 | 2P25U3H/34 | 34 | 17x2 pole | 742.8 |
| 2P18U3H/36 | 36 | 18x2 pole | 787.3 | 2P25U3H/36 | 36 | 18x2 pole | 787.3 |
| 2P18U3H/38 | 38 | 19x2 pole | 831.8 | 2P25U3H/38 | 38 | 19x2 pole | 831.8 |
| 2P18U3H/40 | 40 | 20x2 pole | 876.3 | 2P25U3H/40 | 40 | 20x2 pole | 876.3 |
| 2P18U3H/42 | 42 | 21x2 pole | 920.8 | 2P25U3H/42 | 42 | 21x2 pole | 920.8 |
| 2P18U3H/44 | 44 | 22x2 pole | 965.3 | 2P25U3H/44 | 44 | 22x2 pole | 965.3 |
| 2P18U3H/46 | 46 | 23x2 pole | 1009.8 | 2P25U3H/46 | 46 | 23x2 pole | 1009.8 |
| 2P18U3H/48 | 48 | 24x2 pole | 1054.3 | 2P25U3H/48 | 48 | 24x2 pole | 1054.3 |
| 2P18U3H/50 | 50 | 25x2 pole | 1098.8 | 2P25U3H/50 | 50 | 25x2 pole | 1098.8 |
| 2P18U3H/52 | 52 | 26x2 pole | 1143.3 | 2P25U3H/52 | 52 | 26x2 pole | 1143.3 |
| 2P18U3H/54 | 54 | 27x2 pole | 1187.8 | 2P25U3H/54 | 54 | 27x2 pole | 1187.8 |
| 2P18U3H/56 | 56 | 28x1 pole | 1232.3 | 2P25U3H/56 | 56 | 28x2 pole | 1232.3 |

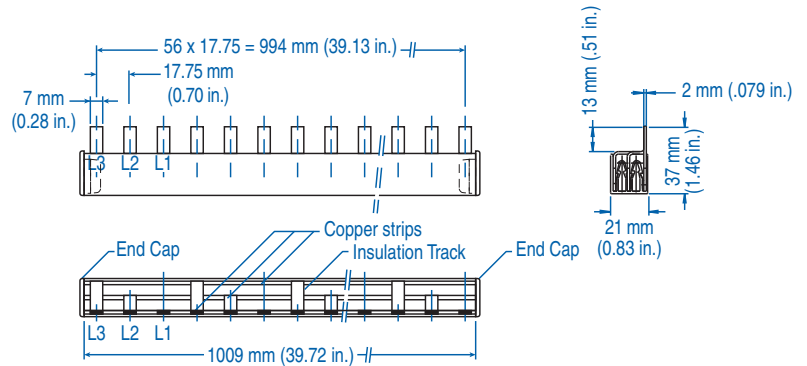
ACCESSORIES



| Type/Cat. No: | P50UT | P50UB | BRB5W | 18/25CAP3P |
|---------------|----------------|---------------------------|----------------|------------|
| Description: | Power Feed Lug | Modular Direct Power Feed | Insulation Cap | End Cap |

3 PHASE BUSBAR - standard spacing

18mm² for 80A / 25mm² for 100A



18mm² for 80A

25mm² for 100A

| Type/ Cat. No. | No. of Pins | No. of MMC to Jumper | Length [mm] | Type/ Cat. No. | No. of Pins | No. of MMC to Jumper | Length [mm] |
|-------------------|----------------|-------------------------|----------------|-------------------|----------------|-------------------------|----------------|
| 3P18U3/6 | 6 | 2x3 pole | 101.8 | 3P25U3/6 | 6 | 2x3 pole | 101.8 |
| 3P18U3/9 | 9 | 3x3 pole | 155.0 | 3P25U3/9 | 9 | 3x3 pole | 155.0 |
| 3P18U3/12 | 12 | 4x3 pole | 208.3 | 3P25U3/12 | 12 | 4x3 pole | 208.3 |
| 3P18U3/15 | 15 | 5x3 pole | 261.5 | 3P25U3/15 | 15 | 5x3 pole | 261.5 |
| 3P18U3/18 | 18 | 6x3 pole | 314.8 | 3P25U3/18 | 18 | 6x3 pole | 314.8 |
| 3P18U3/21 | 21 | 7x3 pole | 368.0 | 3P25U3/21 | 21 | 7x3 pole | 368.0 |
| 3P18U3/24 | 24 | 8x3 pole | 421.3 | 3P25U3/24 | 24 | 8x3 pole | 421.3 |
| 3P18U3/27 | 27 | 9x3 pole | 474.5 | 3P25U3/27 | 27 | 9x3 pole | 474.5 |
| 3P18U3/30 | 30 | 10x3 pole | 527.8 | 3P25U3/30 | 30 | 10x3 pole | 527.8 |
| 3P18U3/33 | 33 | 11x3 pole | 581.0 | 3P25U3/33 | 33 | 11x3 pole | 581.0 |
| 3P18U3/36 | 36 | 12x3 pole | 634.3 | 3P25U3/36 | 36 | 12x3 pole | 634.3 |
| 3P18U3/39 | 39 | 13x3 pole | 687.5 | 3P25U3/39 | 39 | 13x3 pole | 687.5 |
| 3P18U3/42 | 42 | 14x3 pole | 740.8 | 3P25U3/42 | 42 | 14x3 pole | 740.8 |
| 3P18U3/45 | 45 | 15x3 pole | 794.0 | 3P25U3/45 | 45 | 15x3 pole | 794.0 |
| 3P18U3/48 | 48 | 16x3 pole | 847.3 | 3P25U3/48 | 48 | 16x3 pole | 847.3 |
| 3P18U3/51 | 51 | 17x3 pole | 900.5 | 3P25U3/51 | 51 | 17x3 pole | 900.5 |
| 3P18U3/54 | 54 | 18x3 pole | 953.8 | 3P25U3/54 | 54 | 18x3 pole | 953.8 |
| 3P18U3/57 | 57 | 19x3 pole | 1007.0 | 3P25U3/57 | 57 | 19x3 pole | 1007.0 |

ACCESSORIES



Type/Cat. No: **P50UT**
Description: Power Feed Lug



Type/Cat. No: **P50UB**
Description: Modular Direct Power Feed



Type/Cat. No: **P95UB**
Description: Power Feed Block



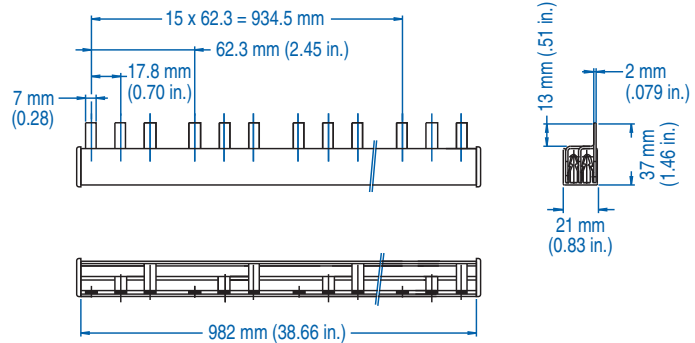
Type/Cat. No: **BRB5W**
Description: Insulation Cap



Type/Cat. No: **18/25CAP3P**
Description: End Cap

3 PHASE BUSBAR - 1/2 pole spacing

18mm² for 80A / 25mm² for 100A



18mm² for 80A

| Type/ Cat. No. | No. of Pins | No. of MMC to Jumper | Length [mm] |
|-------------------|----------------|-------------------------|----------------|
| 3P18U3H/6 | 6 | 2x3 pole | 110.8 |
| 3P18U3H/9 | 9 | 3x3 pole | 173.1 |
| 3P18U3H/12 | 12 | 4x3 pole | 235.4 |
| 3P18U3H/15 | 15 | 5x3 pole | 297.7 |
| 3P18U3H/18 | 18 | 6x3 pole | 360.0 |
| 3P18U3H/21 | 21 | 7x3 pole | 422.3 |
| 3P18U3H/24 | 24 | 8x3 pole | 484.6 |
| 3P18U3H/27 | 27 | 9x3 pole | 546.9 |
| 3P18U3H/30 | 30 | 10x3 pole | 609.2 |
| 3P18U3H/33 | 33 | 11x3 pole | 671.5 |
| 3P18U3H/36 | 36 | 12x3 pole | 733.8 |
| 3P18U3H/39 | 39 | 13x3 pole | 796.1 |
| 3P18U3H/42 | 42 | 14x3 pole | 858.4 |
| 3P18U3H/45 | 45 | 15x3 pole | 920.7 |
| 3P18U3H/48 | 48 | 16x3 pole | 983.0 |
| 3P18U3H/51 | 51 | 17x3 pole | 1045.3 |
| 3P18U3H/54 | 54 | 18x3 pole | 1107.6 |
| 3P18U3H/57 | 57 | 19x3 pole | 1169.9 |

25mm² for 100A

| Type/ Cat. No. | No. of Pins | No. of MMC to Jumper | Length [mm] |
|-------------------|----------------|-------------------------|----------------|
| 3P25U3H/6 | 6 | 2x3 pole | 110.8 |
| 3P25U3H/9 | 9 | 3x3 pole | 173.1 |
| 3P25U3H/12 | 12 | 4x3 pole | 235.4 |
| 3P25U3H/15 | 15 | 5x3 pole | 297.7 |
| 3P25U3H/18 | 18 | 6x3 pole | 360.0 |
| 3P25U3H/21 | 21 | 7x3 pole | 422.3 |
| 3P25U3H/24 | 24 | 8x3 pole | 484.6 |
| 3P25U3H/27 | 27 | 9x3 pole | 546.9 |
| 3P25U3H/30 | 30 | 10x3 pole | 609.2 |
| 3P25U3H/33 | 33 | 11x3 pole | 671.5 |
| 3P25U3H/36 | 36 | 12x3 pole | 733.8 |
| 3P25U3H/39 | 39 | 13x3 pole | 796.1 |
| 3P25U3H/42 | 42 | 14x3 pole | 858.4 |
| 3P25U3H/45 | 45 | 15x3 pole | 920.7 |
| 3P25U3H/48 | 48 | 16x3 pole | 983.0 |
| 3P25U3H/51 | 51 | 17x3 pole | 1045.3 |
| 3P25U3H/54 | 54 | 18x3 pole | 1107.6 |
| 3P25U3H/57 | 57 | 19x3 pole | 1169.9 |

ACCESSORIES



Type/Cat. No: **P50UT**
Description: Power Feed Lug



Type/Cat. No: **P50UB**
Description: Modular Direct Power Feed



Type/Cat. No: **BRB5W**
Description: Insulation Cap



Type/Cat. No: **18/25CAP3P**
Description: End Cap

UL 489

UL 508

UL 1077

UL 1077
Equipment Breakers

Earth Leakage
Circuit Breakers

ANNEX

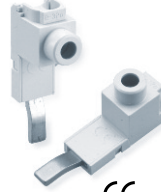
Power Feed Devices

Easy connection of power supply wires to the busbar/MCB. Power Feed Devices ensure permanent connection.

Power Feed Lug



Power Feed Lug

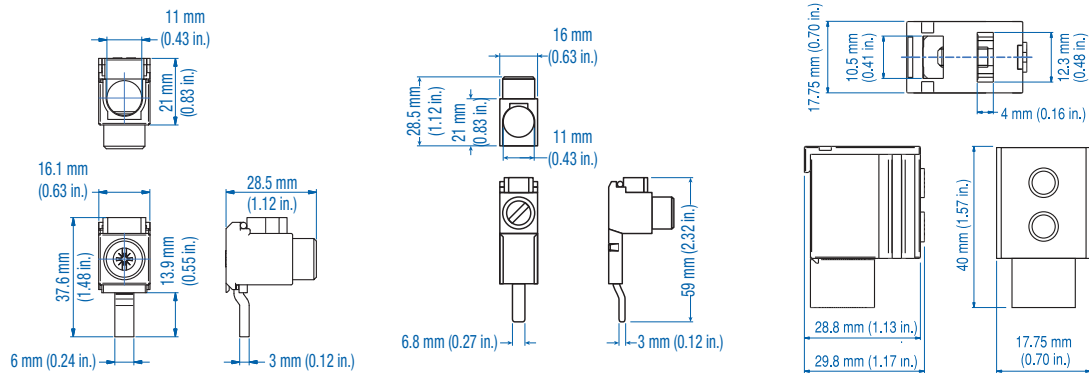


Modular Direct Power Feed

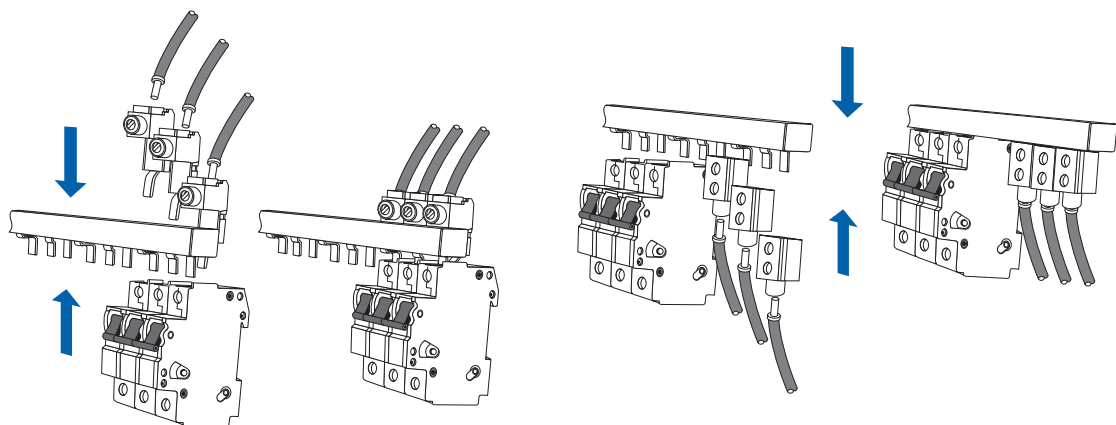


| Type/Cat. No. | P50UT-LP | P50UT | P50UB |
|---------------------------------|--------------------------------------------------------|----------------------------------------------------------|------------------------------------------------------------------------------------------------------|
| Electrical Ratings | 115A/480VAC | 115A/480VAC | 115A/480VAC |
| Terminal Site Acceptability | 10-1/0 AWG (1.5-50mm ²) | 10-1/0 AWG (1.5-50mm ²) | 14-1 AWG (1.5-50mm ²) |
| Recommended/ Required Torque | 5.6Nm (50lb. in.) | 5.6Nm (50lb. in.) | Cable side: 3.5Nm/31 lb. in. (14-6AWG) 4Nm/35.4 lb. in. (4-1AWG) Busbar side: 2.5Nm/22 lb. in. |
| Material of Lug/ Terminal | Brass | Brass | Brass |
| Insulation Material | Polyamide | Polyamide | Polyamide |
| For use with | UL1077/508 18 and 25mm ² 1 phase busbars | UL1077/508 18 and 25mm ² 2-3 phase busbars | UL1077/508 18 and 25mm ² 1-3 phase busbars |

Dimensions



Assembly Instructions



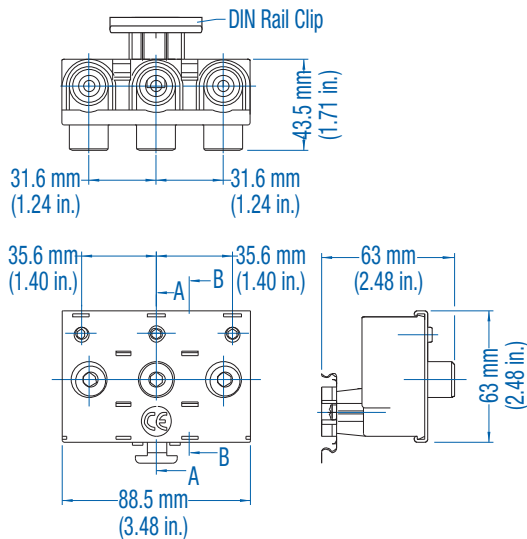
The power feed lugs (Cat. # P50UT) fit together with the lugs of the busbar in the terminals of the MCB/MA.

Power Feed Block

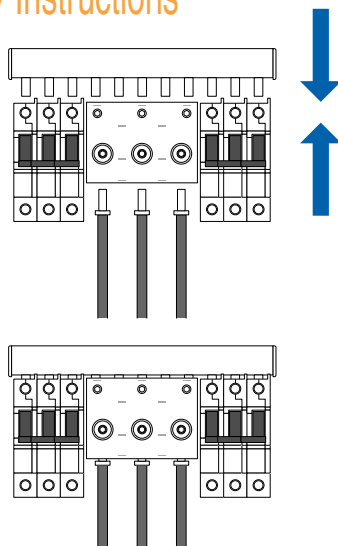


| | |
|-------------------------------------|-----------------------------------------------------------------------------------|
| Type/Cat. No. | P95UB |
| Electrical Ratings | 200A/ 480VAC |
| Terminal Site Acceptability | 1-4/0 AWG (50-120mm ²) |
| Recommended/ Required Torque | 19.5Nm (175lb. in.) |
| Material of Lug/ Terminal | Brass |
| Insulation Material | Polyamide |
| For use with | UL1077/508 18 and 25mm ² 3 phase busbars (standard spacing only) |

Dimensions



Assembly Instructions

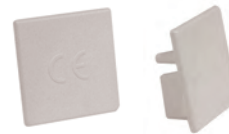


Miscellaneous Accessories

End Caps



Type/Cat. No: 18/25CAP1P
For use with: 18/25mm² 1 phase Busbar



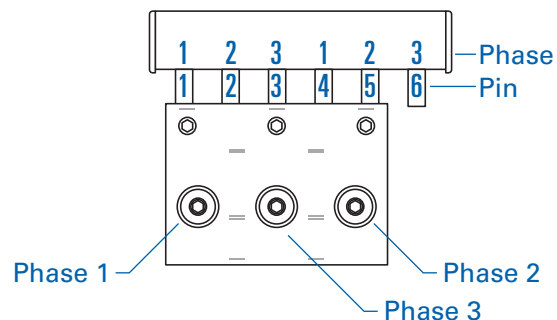
Type/Cat. No: 18/25CAP3P
For use with: 18/25mm² 2&3 phase Busbar

Insulation Caps



Type/Cat. No: BRB5W (5 per strip)
For use with: 18/25mm² 1-3 phase Busbar

NOTE: The Power Feed Block uses the space of 5 Pins of the standard spacing Busbar (see drawing below). Phase 1 connects to Pin 1, Phase 2 to Pin 3 and Phase 3 to Pin 5. Pin 2 and 4 are not in use. Pin 6 should be covered with an insulation cap if phase sequence stays the same. Therefore, the Power Feed Block covers 6 pins to connect to the three phases.



UL 489

UL 508

UL 1077

UL 1077
Equipment Breakers

Earth Leakage
Circuit Breakers

ANNEX