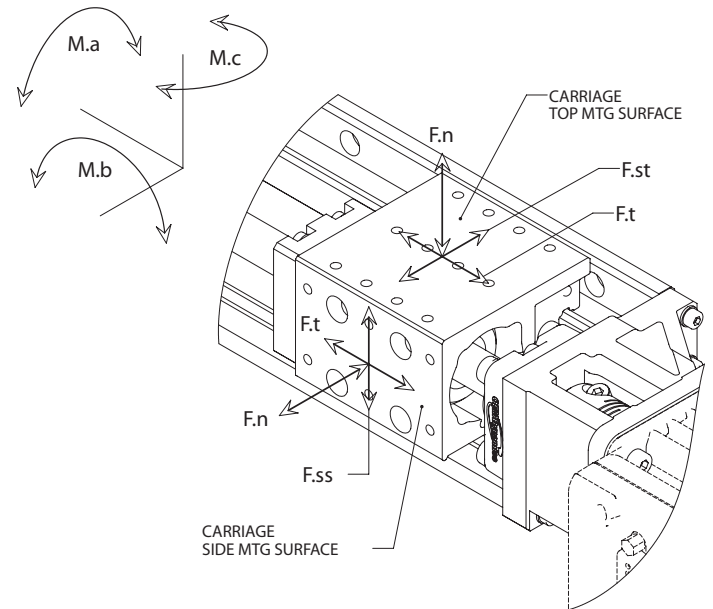
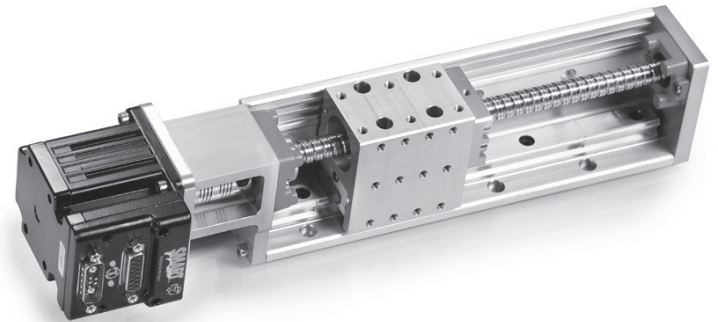


## L70 Product Specifications

Parameter	Value	Units
<b>Configuration &amp; Physical Parameters</b>		
Motor	Animatics SmartMotors Size 17 & 23	-
Coupling	Beam	-
Ball Screw Leads	5, 10	mm/rev
Position Sensors	Adjustable (3 max) NPN N/O or N/C	-
Stroke Lengths	Standard in 50mm increments to 600 Custom in 1mm increments to 600	mm
Overall Length	Stroke + 182.5 + Motor	mm
Over-Travel	24.5	mm
Unit Mass	1.29 + 0.00414 x (stroke, mm) + (motor mass, kg)	kg
<b>Performance</b>		
Unidirectional Repeatability	3	μm
Bi-directional Repeatability	16	μm
Ball screw Lead Accuracy	0.1/300	mm/mm
<b>Load Rating, Dynamic* (Static)</b>		
Payload Mass	25 or 20 (5 or 10 mm/rev lead)	kg
F. t, Thrust	200 (1140)	N
F.n, Carriage Normal	200 (400)	N
F.st, Carriage Side	200 (400)	N
F.ss, Carriage Side	100 (400)	N
M.a, Carriage Moment**	5 (20)	Nm
M.b, Carriage Moment**	5 (20)	Nm
M.c, Carriage Moment**	5 (20)	Nm

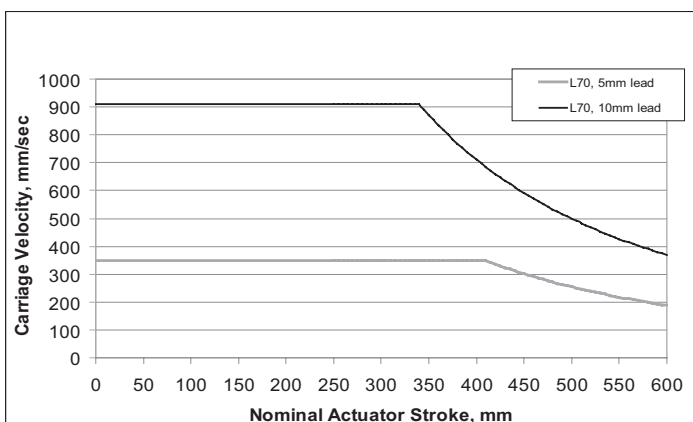


\*Based on a basic desired service life of 15,000hr (7.5yrs single shift) @ 167 mm/s and 333mm/s (2000 RPM) average speed at given payload. Consult the factory if your application exceeds these values.

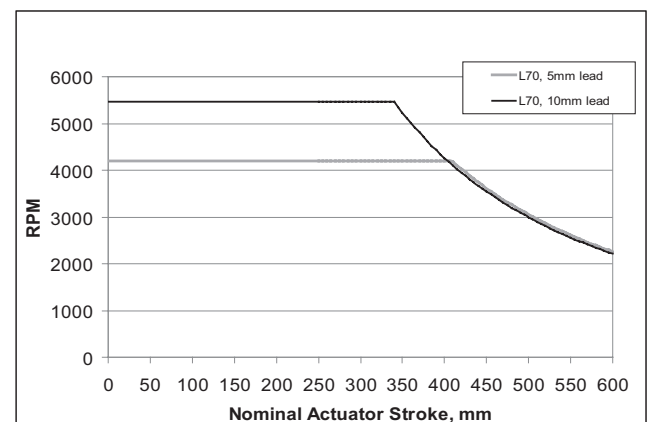
\*\*Moment capacities given about center of carriage mounting surface.

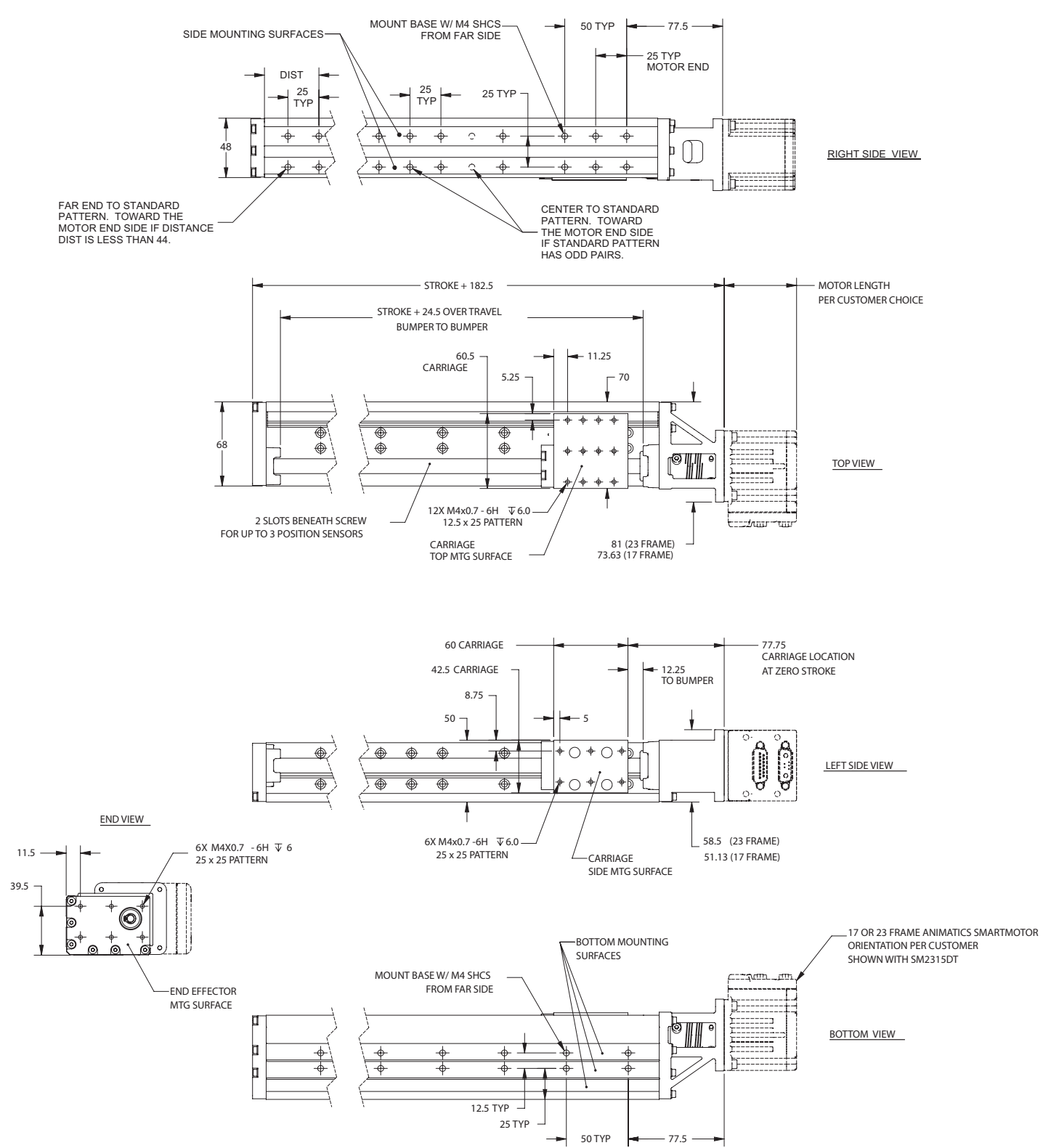
**WARNING: Do not exceed these limits**

**L70 - Maximum Permissible Carriage Velocity**



**L70 - Maximum Permissible Screw Speed**





Dimensions in millimeters

Note: For part numbers please refer to our Website at [www.oemdynamics.com](http://www.oemdynamics.com)

**Thrust Curve performance data in following section on pages 109-126.**