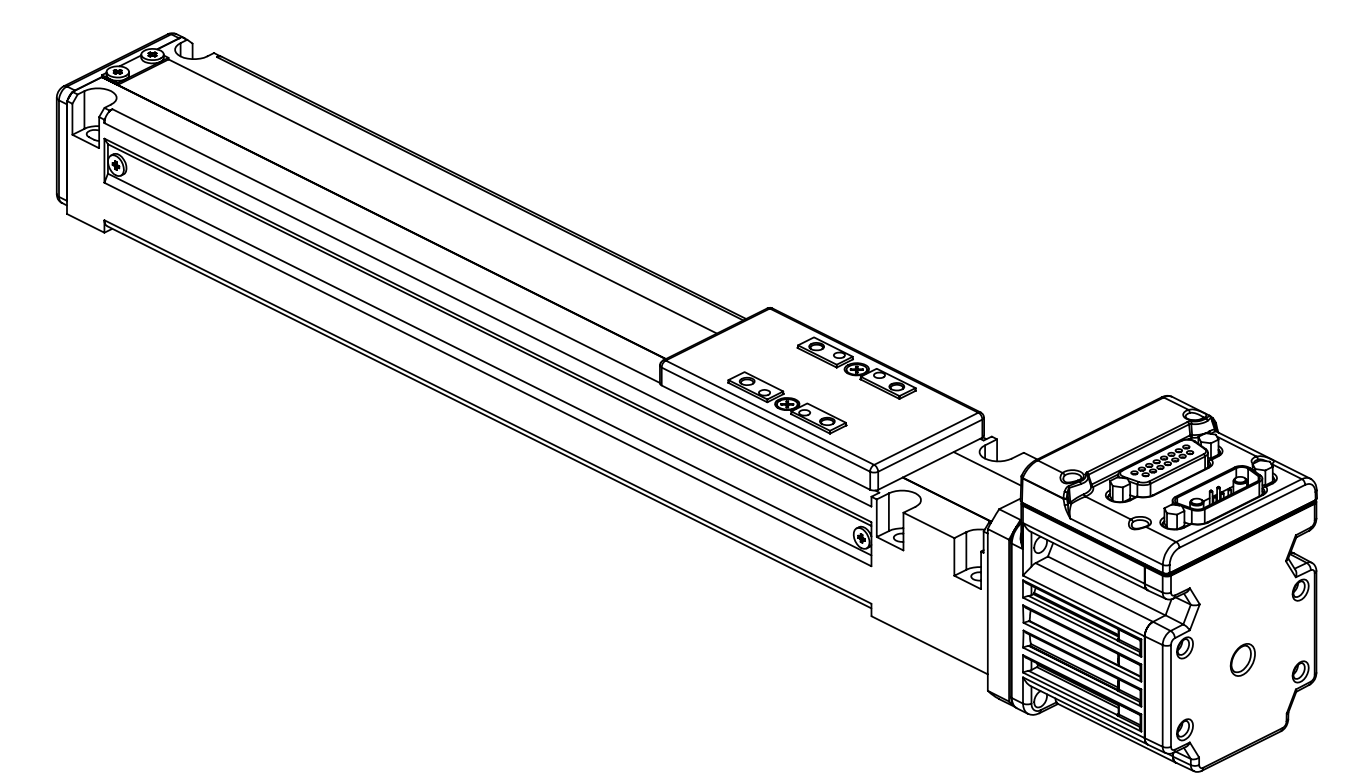
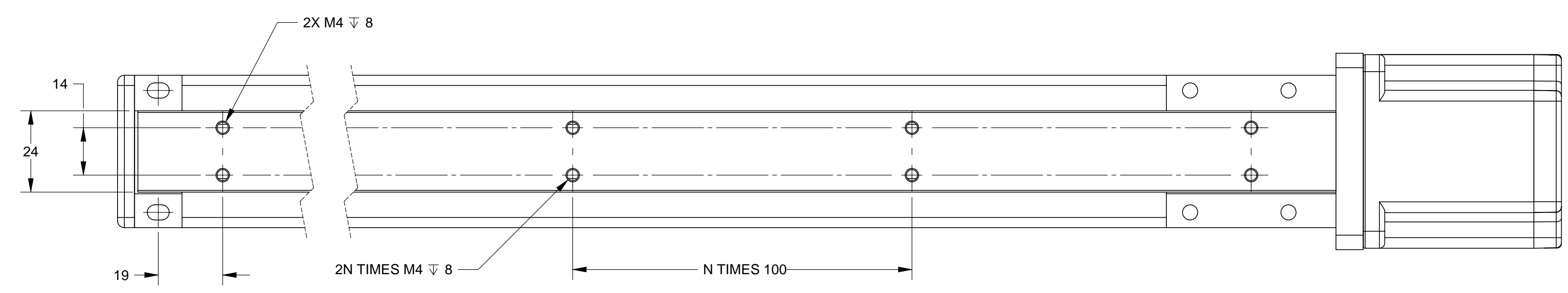
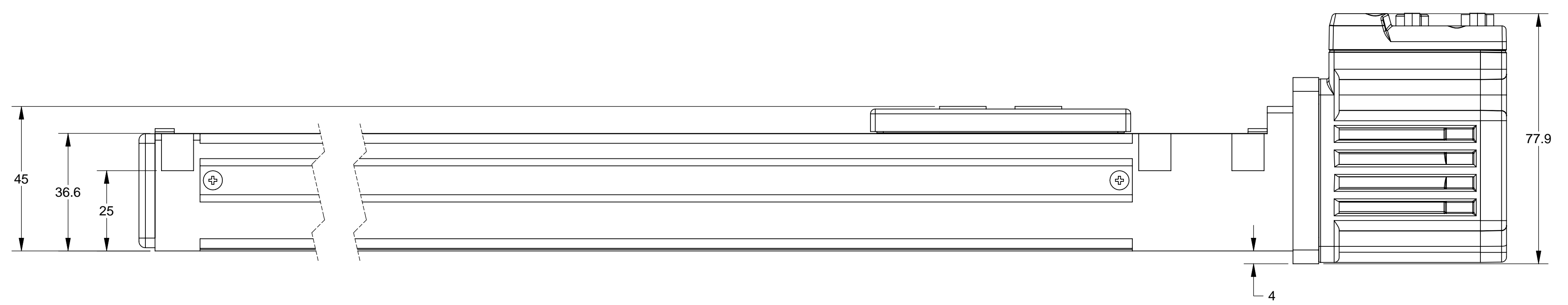
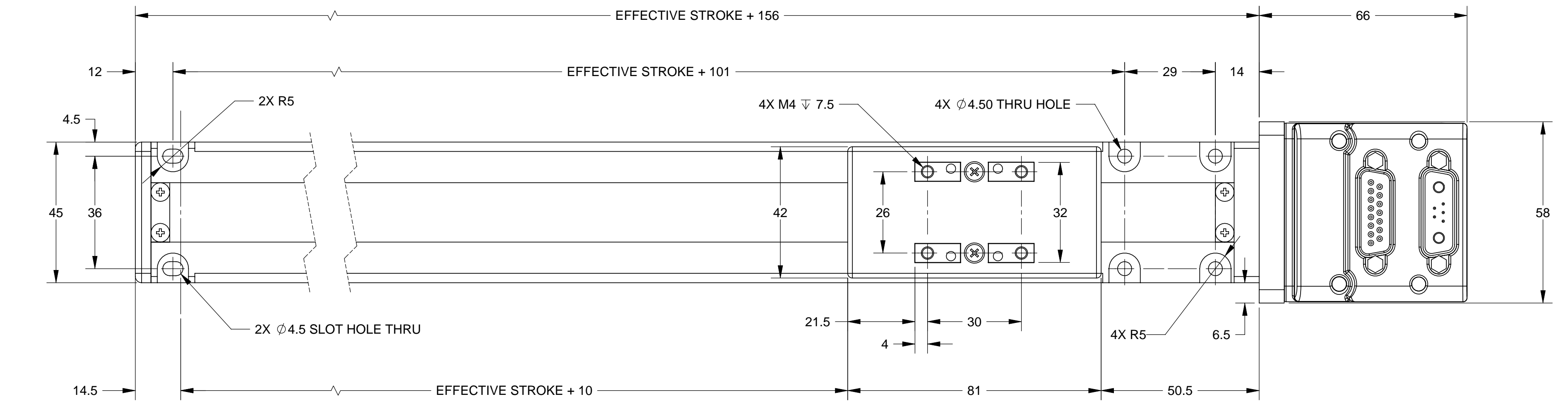


REV.	DESCRIPTION	ZONE	ECO	DATE	APPROVED
0	INITIAL		N/A	2/8/2008	M. TRAN
1	PREP FOR WEB RELEASE (NO TECHNICAL CHANGES)		N/A	10/7/10	GS



THIS DOCUMENT AND ENTIRE INFORMATION HEREON ARE PROPRIETARY TO OEM DYNAMICS AND SHALL NOT BE USED IN ANY WAY DETRIMENTAL TO OEM DYNAMICS INTEREST NOR REPRODUCED WHATSOEVER WITHOUT EXPRESS CONSENT		California, USA www.OEMDynamics.com	
MATERIAL /	FINISH /	DRAWN M. TRAN	DATE 2/8/2008
UNLESS OTHERWISE SPECIFIED: DIMENSIONS ARE MILLIMETERS AND TOLERANCES ARE:		ENGR M. TRAN	DATE 2/8/2008
THIRD ANGLE PROJECTION		INTERPRET DIMENSIONS AND TOLERANCES PER ASME Y14.5M - 1994.	
DECIMALS: .XX ± NA		ANGLES: .XX ± NA	
.X ± NA		.X ± NA	
SIZE D	DWG NO VLST45-XXXX-XXXX-XXX-XXXXXXX	TITLE SPECIFICATION DRAWING VL-ST45	REV 1
DO NOT SCALE DRAWING		SCALE 1:1	SHEET 1 OF 1