

OVERVIEW

MOTOR SPECIFICATIONS

LINEAR SYSTEMS

CONNECTIVITY

PERIPHERALS

IP 65 MODELS & CONNECTIVITY

POWER SUPPLIES & SHUNTS

GEAR HEADS

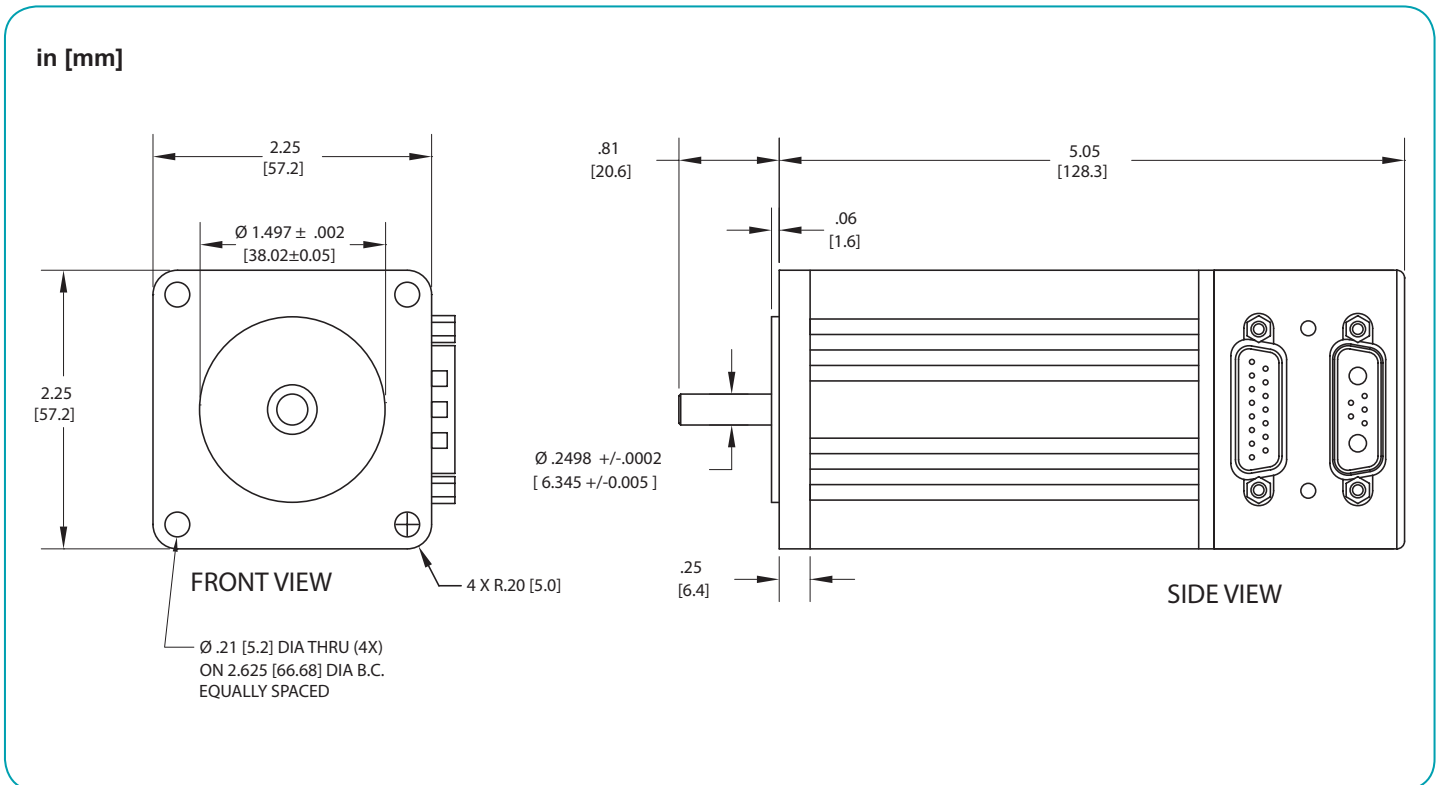
SOFTWARE

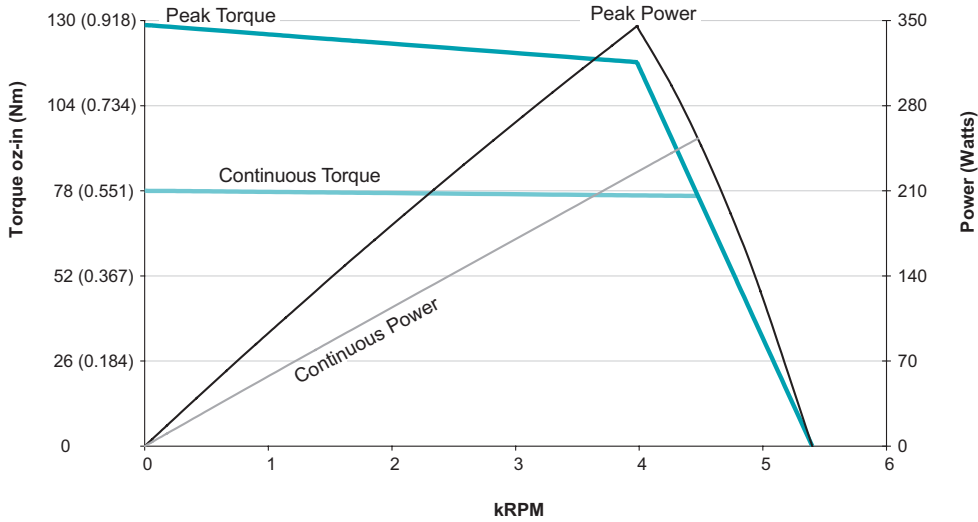
APPENDIX

SM23405D		
Continuous Torque	4.88	in-lb
	78	oz-in
	0.55	N-m
Peak Torque	8.04	in-lb
	129	oz-in
	0.91	N-m
Nominal Continuous Power	253	Watt
No Load Speed	5,300	RPM
Continuous Current @ Nominal Power	7.5	Amps
Voltage Constant	10.26	V/kRPM
Winding Resistance	1.0	ohms
Encoder Resolution	4,000	Counts/Rev
	0.00362	oz-in-sec ²
Rotor Inertia	2.557	10 ⁻⁵ Kg-m ²
	2.8	lb
Weight	1.27	kg
	0.250	in
Shaft Diameter	6.35	mm
	7	lb
Shaft, Radial Load	3.18	kg
	3	lb
Shaft, Axial Thrust Load	1.36	kg
	DeviceNet Available	
Profibus Available		
CANopen Available		Yes

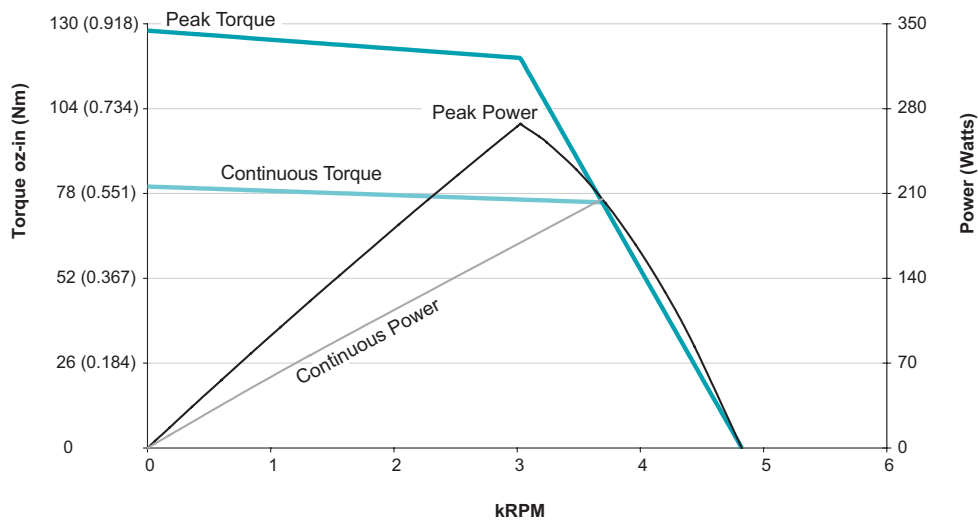


Animatics SmartMotor SM23405D (No Options) CAD Drawing

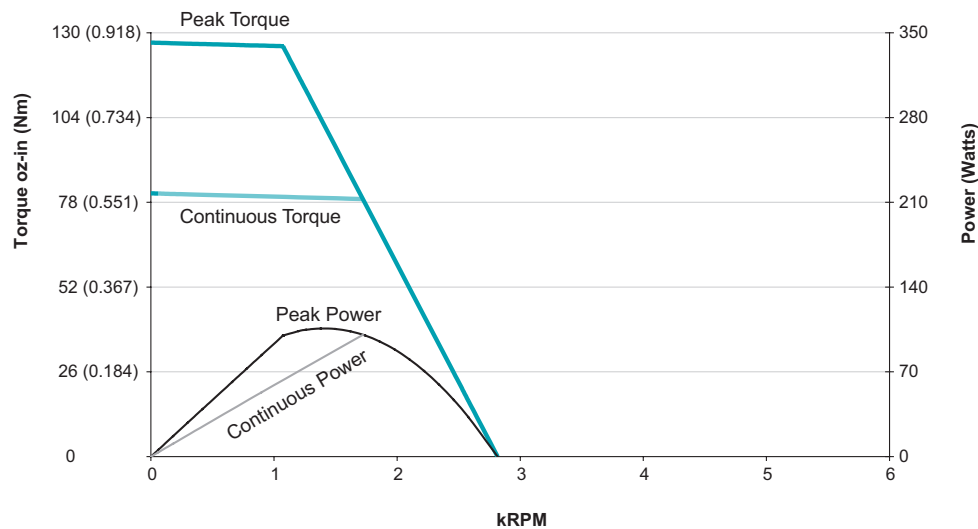




SM23405D
at 48 VDC
at rise to 85°C



SM23405D
at 42 VDC
at rise to 85°C



SM23405D
at 24 VDC
at rise to 85°C