

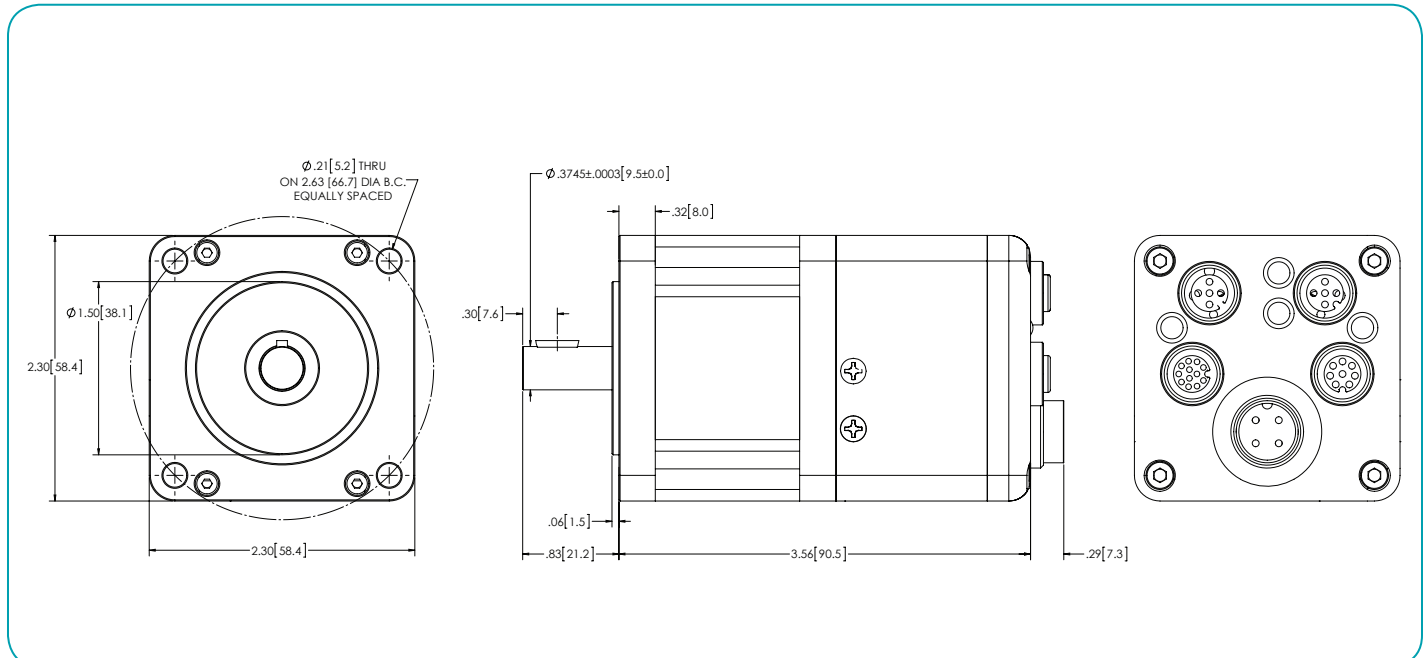
SmartMotor™ Series	SM23165MT
Continuous Torque @ 48V	4.25 in-lb
	68 oz-in
	0.48 N-m
Peak Torque	9.45 in-lb
	151 oz-in
	1.07 N-m
Nominal Continuous Power	189 Watt
No Load Speed	5,000 RPM
Max. Continuous Current* @ 3700 RPM	6.4 Amps
Peak Power @ 2800 RPM	255 Watts
Voltage Constant	9.6 V/kRPM
Inductance	2.01 mH
Encoder Resolution	4,000 Counts/Rev
Rotor Inertia	0.001 oz-in-sec <sup>2</sup>
	0.706 10 <sup>-5</sup> Kg-m <sup>2</sup>
Weight	1.5 lb
	0.68 kg
Shaft Diameter	0.375 in
	9.53 mm
Shaft, Radial Load	15 lb
	6.80 kg
Shaft, Axial Thrust Load	3 lb
	1.36 kg
DeviceNet Available	Firmware Option
PROFIBUS Available	
CANopen Available	Standard



Operating temperature range: 0°C–85°C  
 Storage temperature range: -10°C–85°C, noncondensing  
*IP rating depends on motor options. IP rating may affect motor performance.*  
**NOTE: Motor specifications are subject to changes without notice. Consult website and factory for latest data.**



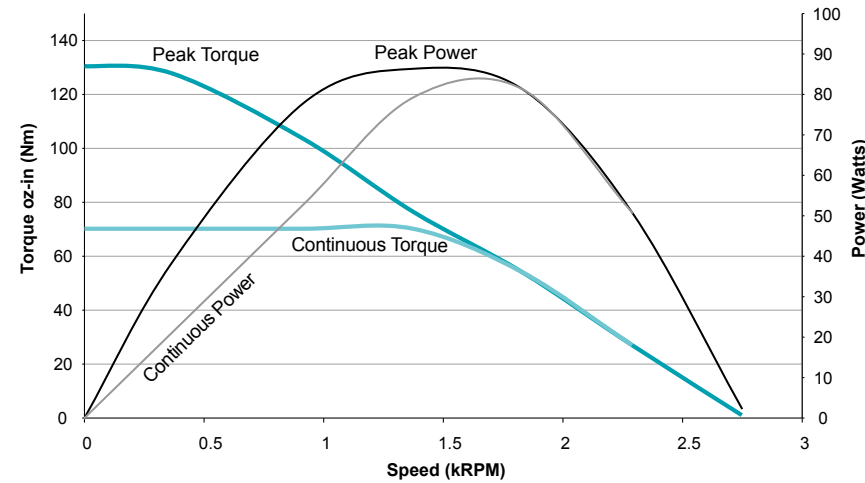
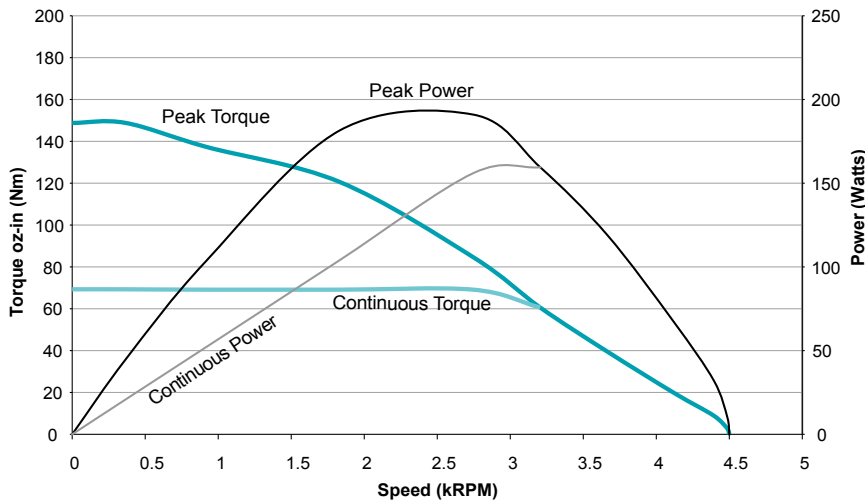
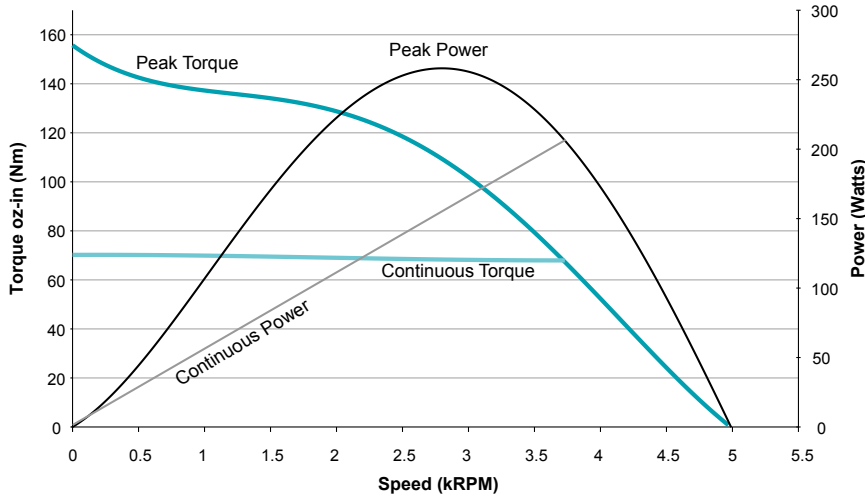
## Moog Animatics SmartMotor SM23165MT (No Options) CAD Drawing



**Drive Power and Control Power are Separate Inputs. Control Power is rated to a range of 18 to 32VDC max. Drive Power is from 18 to 48VDC max.**

OVERVIEW  
 SOFTWARE  
 D-STYLE MOTORS  
 D-STYLE CONNECTIVITY  
 PERIPHERALS  
 M-STYLE MOTORS  
 M-STYLE CONNECTIVITY  
 LINEAR SYSTEMS  
 POWER SUPPLIES & SHUNTS  
 GEAR HEADS  
 APPENDIX

OVERVIEW  
SOFTWARE  
D-STYLE MOTORS  
D-STYLE CONNECTIVITY  
PERIPHERALS  
M-STYLE MOTORS  
M-STYLE CONNECTIVITY  
LINEAR SYSTEMS  
POWER SUPPLIES & SHUNTS  
GEAR HEADS  
APPENDIX



All torque curves based on 25°C ambient.  
 Motors were operated using MDE (Enhanced Drive Mode) Commutation.  
 For ambient temperatures above 25°C, Continuous Torque must be linearly derated to 0% at 85°C.