

SM23305D		
Continuous Torque	3.98	in-lb
	64	oz-in
	0.45	N-m
Peak Torque	6.86	in-lb
	110	oz-in
	0.77	N-m
Nominal Continuous Power	220	Watt
No Load Speed	5,600	RPM
Max. Continuous Current* @ 4750 RPM	5.57	Amps
Peak Power @ 4100 RPM	325	Watts
Voltage Constant	8.873	V/kRPM
Inductance	0.61	mH
Encoder Resolution	4,000	Counts/Rev
Rotor Inertia	0.00332	oz-in-sec ²
	2.344	10 ⁻⁵ Kg-m ²
Weight	2.3	lb
	1.03	kg
Shaft Diameter	0.250	in
	6.35	mm
Shaft, Radial Load	7	lb
	3.18	kg
Shaft, Axial Thrust Load	3	lb
	1.36	kg
DeviceNet Available	Yes	
PROFIBUS Available		
CANopen Available	Yes	

*Default voltage is 48V. See graphs for additional voltages.



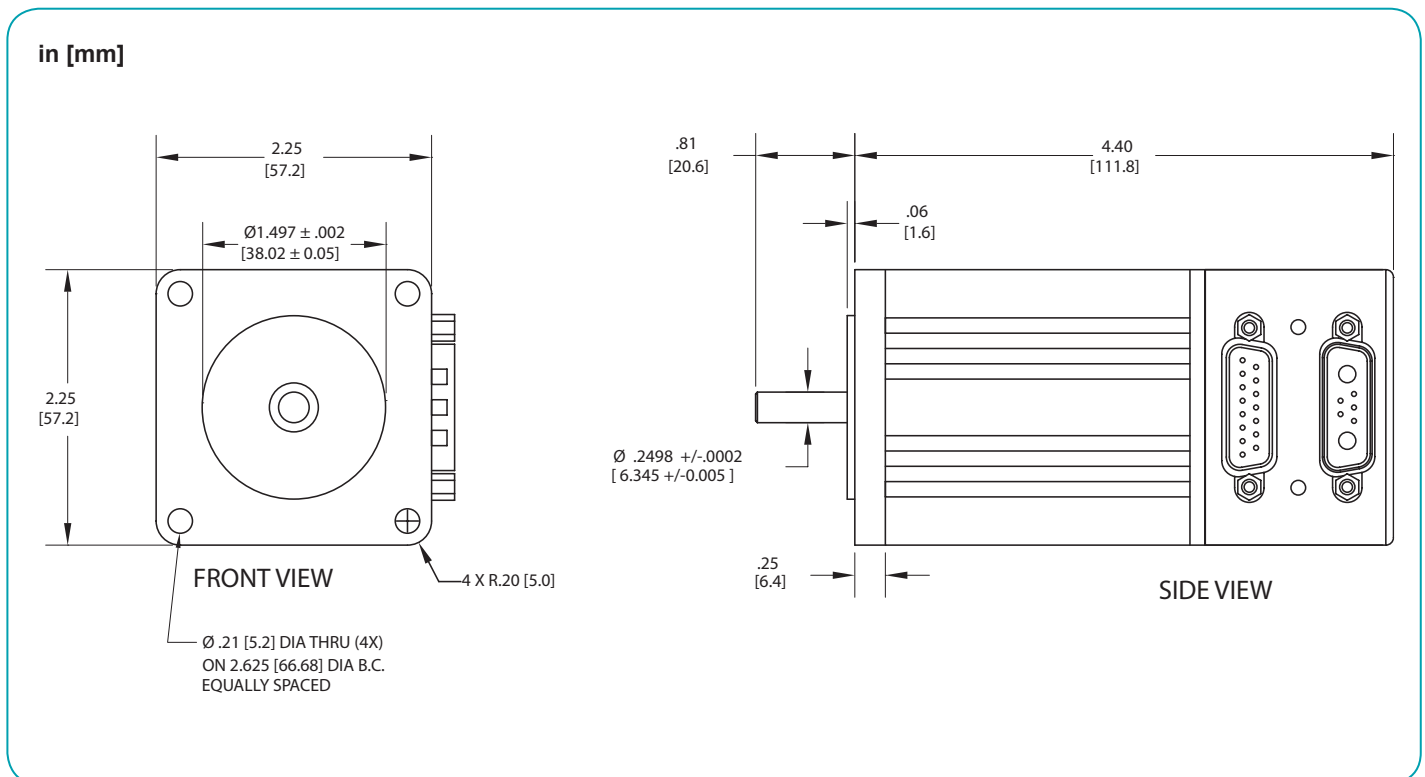
Operating temperature range: 0°C–85°C

Storage temperature range: -10°C–85°C, noncondensing

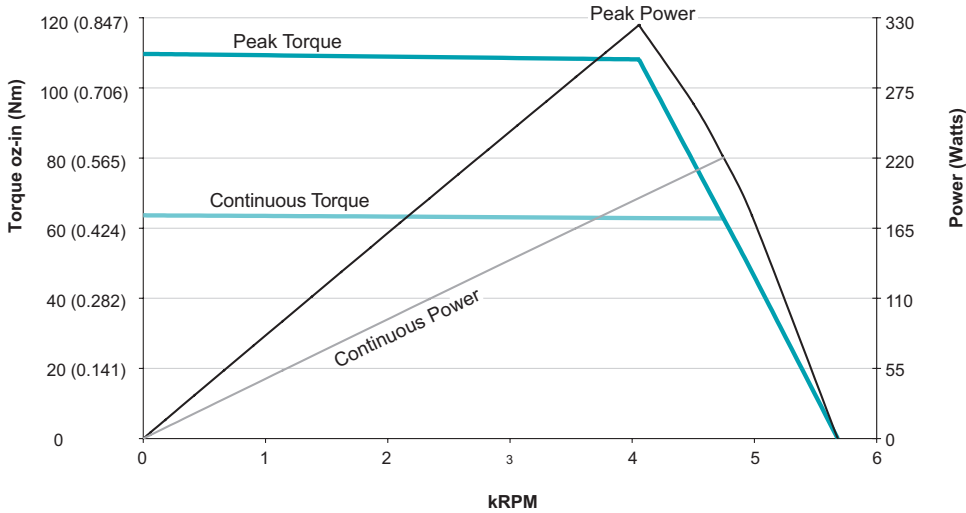
NOTE: Motor specifications are subject to changes without notice. Consult website and factory for latest data.



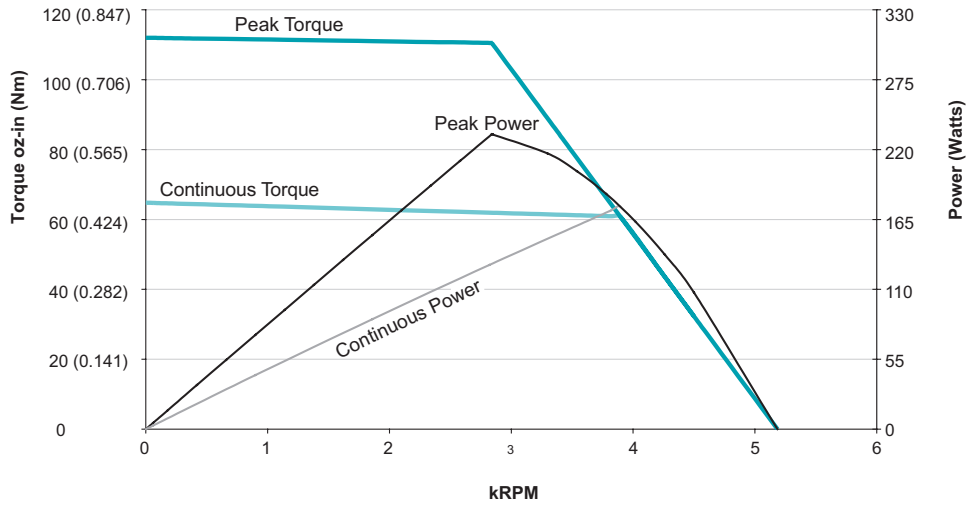
Moog Animatics SmartMotor SM23305D (No Options) CAD Drawing



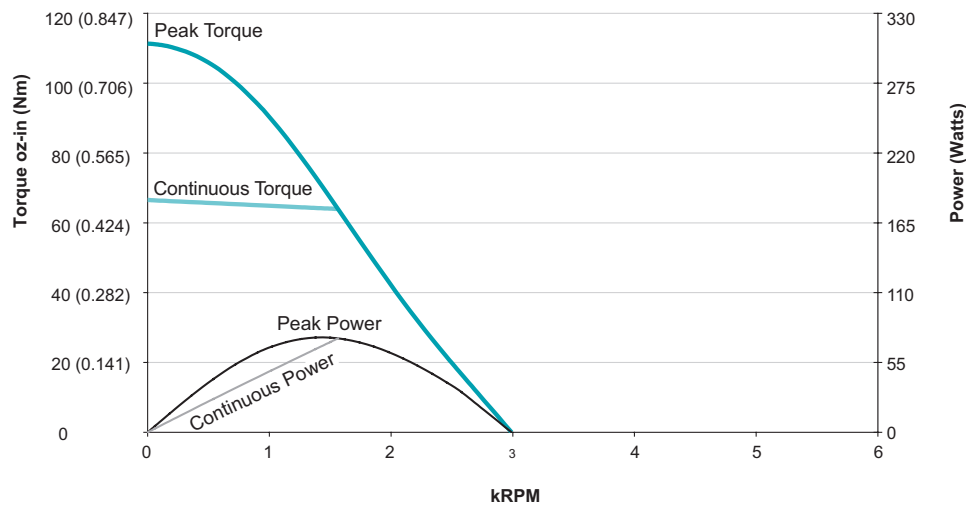
OVERVIEW
SOFTWARE
D-STYLE MOTORS
D-STYLE CONNECTIVITY
PERIPHERALS
M-STYLE MOTORS
M-STYLE CONNECTIVITY
LINEAR SYSTEMS
POWER SUPPLIES & SHUNTS
GEAR HEADS
APPENDIX



SM23305D
at 48 VDC
at rise to 85°C



SM23305D
at 42 VDC
at rise to 85°C



SM23305D
at 24 VDC
at rise to 85°C

All torque curves based on 25°C ambient.
Motors were operated using MDT (Trapezoidal Drive Mode) Commutation.
For ambient temperatures above 25°C, Continuous Torque must be linearly derated to 0% at 85°C.