

SM34165DT		
Continuous Torque	12.83	in-lb
	205	oz-in
	1.45	N-m
Peak Torque	30.00	in-lb
	480	oz-in
	3.39	N-m
Nominal Continuous Power	615	Watt
No Load Speed	5,100	RPM
Max. Continuous Current* @ 4500 RPM	16.93	Amps
Peak Power @ 3400 RPM	930	Watts
Voltage Constant	8.9	V/kRPM
Inductance	0.32	mH
Encoder Resolution	8,000	Counts/Rev
Rotor Inertia	0.0142	oz-in-sec ²
	10.031	10 ⁻⁵ Kg-m ²
Weight	5.5	lb
	2.49	kg
Shaft Diameter	0.500	in
	12.70	mm
Shaft, Radial Load	30	lb
	13.61	kg
Shaft, Axial Thrust Load	3	lb
	1.36	kg
DeviceNet Available	Yes	
PROFIBUS Available	Yes	
CANopen Available	Yes	



Operating temperature range: 0°C–85°C

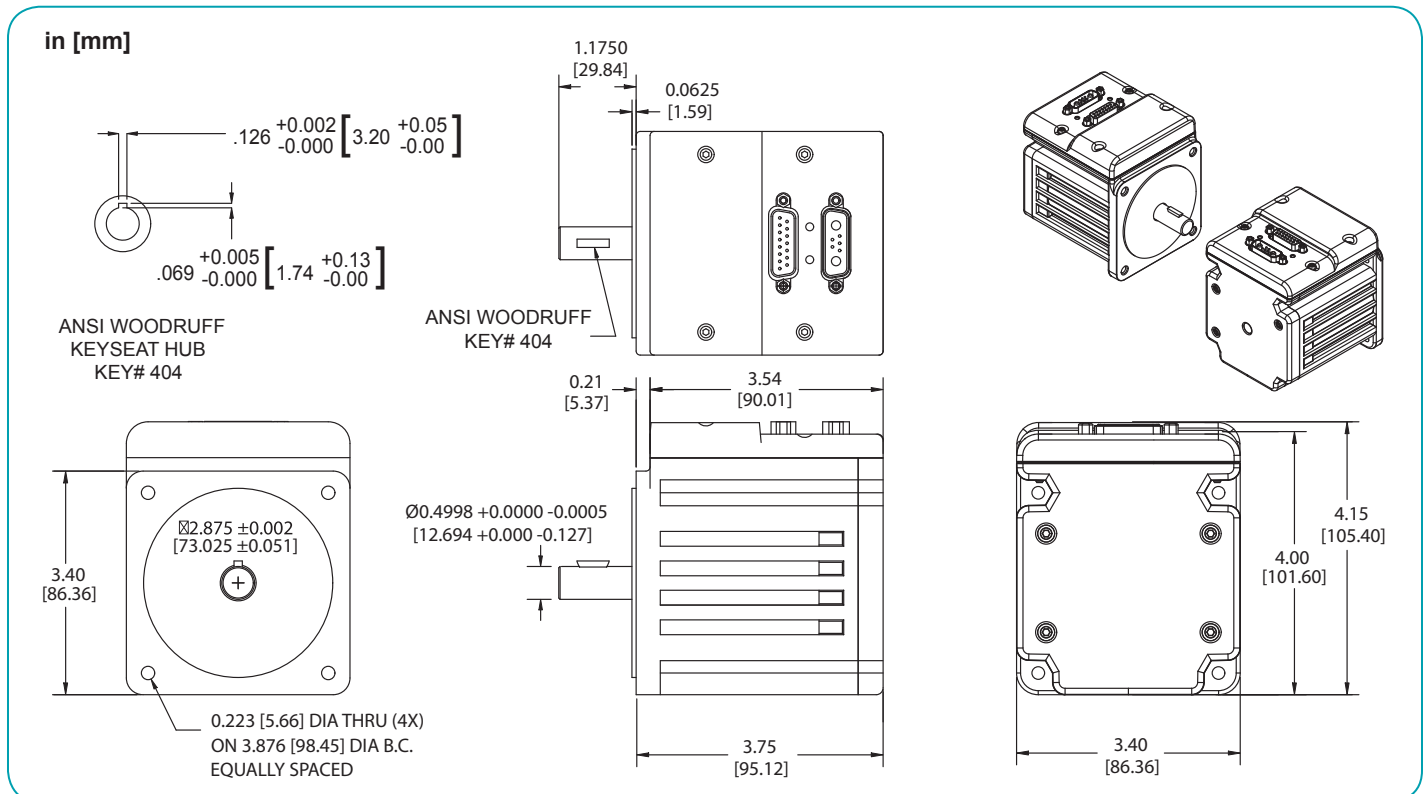
Storage temperature range: -10°C–85°C, noncondensing

NOTE: Motor specifications are subject to changes without notice. Consult website and factory for latest data.

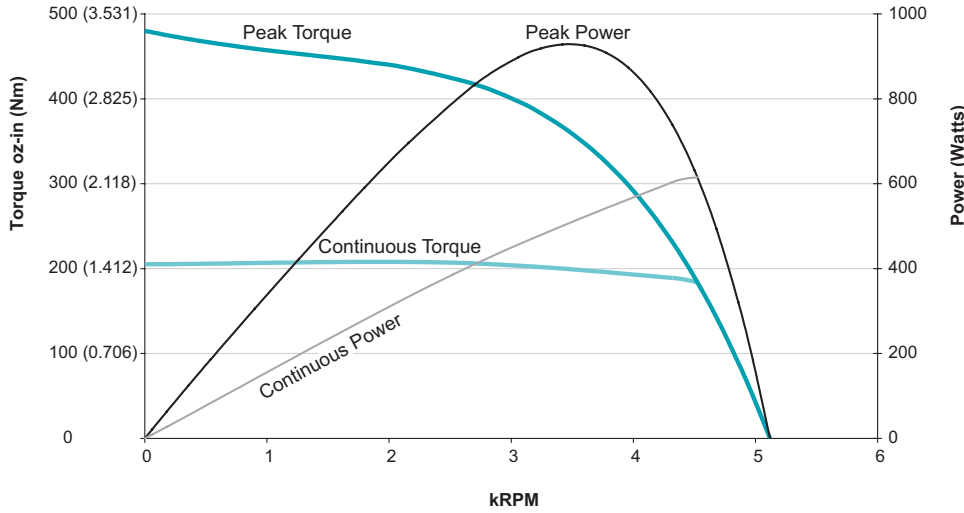


*Default voltage is 48V. See graphs for additional voltages.

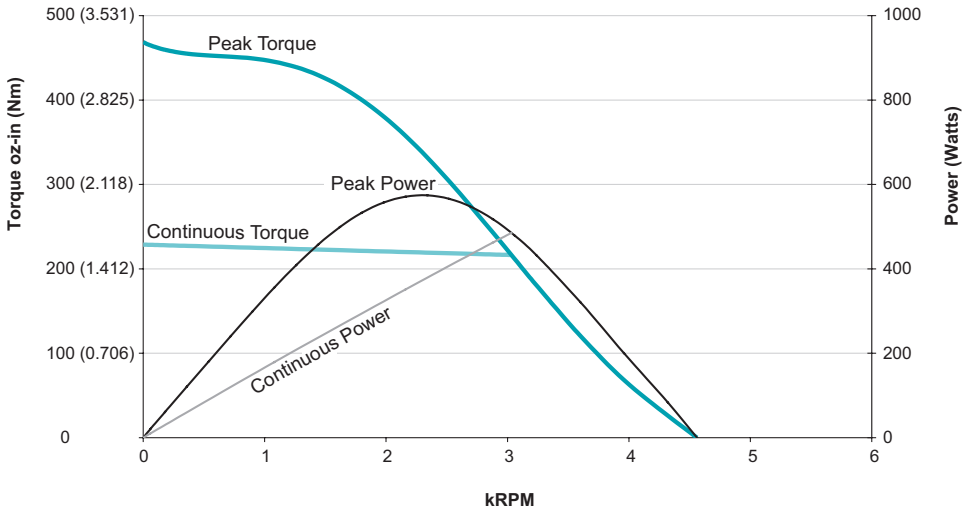
Moog Animatics SmartMotor™ SM34165DT (No Options) CAD Drawing



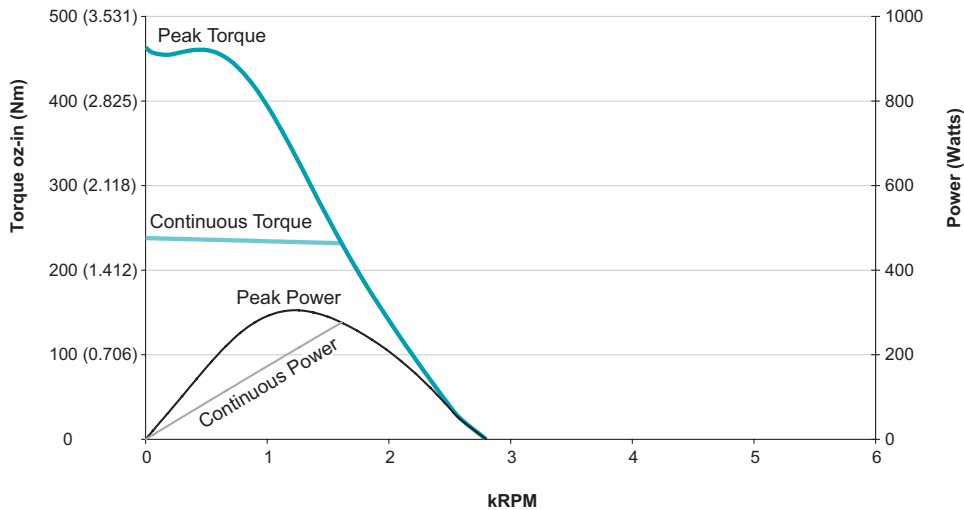
OVERVIEW
SOFTWARE
D-STYLE MOTORS
D-STYLE CONNECTIVITY
PERIPHERALS
M-STYLE MOTORS
M-STYLE CONNECTIVITY
LINEAR SYSTEMS
POWER SUPPLIES & SHUNTS
GEAR HEADS
APPENDIX



SM34165DT
at 48 VDC
at rise to 85°C



SM34165DT
at 42 VDC
at rise to 85°C



SM34165DT
at 24 VDC
at rise to 85°C

All torque curves based on 25°C ambient.
Motors were operated using MDT (Trapezoidal Drive Mode) Commutation.
For ambient temperatures above 25°C, Continuous Torque must be linearly derated to 0% at 85°C.