

SM34205D		
Continuous Torque	7.91	in-lb
	126	oz-in
	0.89	N-m
Peak Torque	24.91	in-lb
	399	oz-in
	2.81	N-m
Nominal Continuous Power	324	Watt
No Load Speed	4,500	RPM
Max. Continuous Current* @ 3750 RPM	8.28	Amps
Peak Power @ 2250 RPM	455	Watts
Voltage Constant	10.8	V/kRPM
Inductance	0.596	mH
Encoder Resolution	8,000	Counts/Rev
Rotor Inertia	0.012	oz-in-sec ²
	8.448	10 ⁻⁵ Kg-m ²
Weight	3.5	lb
	1.59	kg
Shaft Diameter	0.375	in
	9.53	mm
Shaft, Radial Load	15	lb
	6.80	kg
Shaft, Axial Thrust Load	3	lb
	1.36	kg
DeviceNet Available	Yes	
PROFIBUS Available		
CANopen Available	Yes	

*Default voltage is 48V. See graphs for additional voltages.

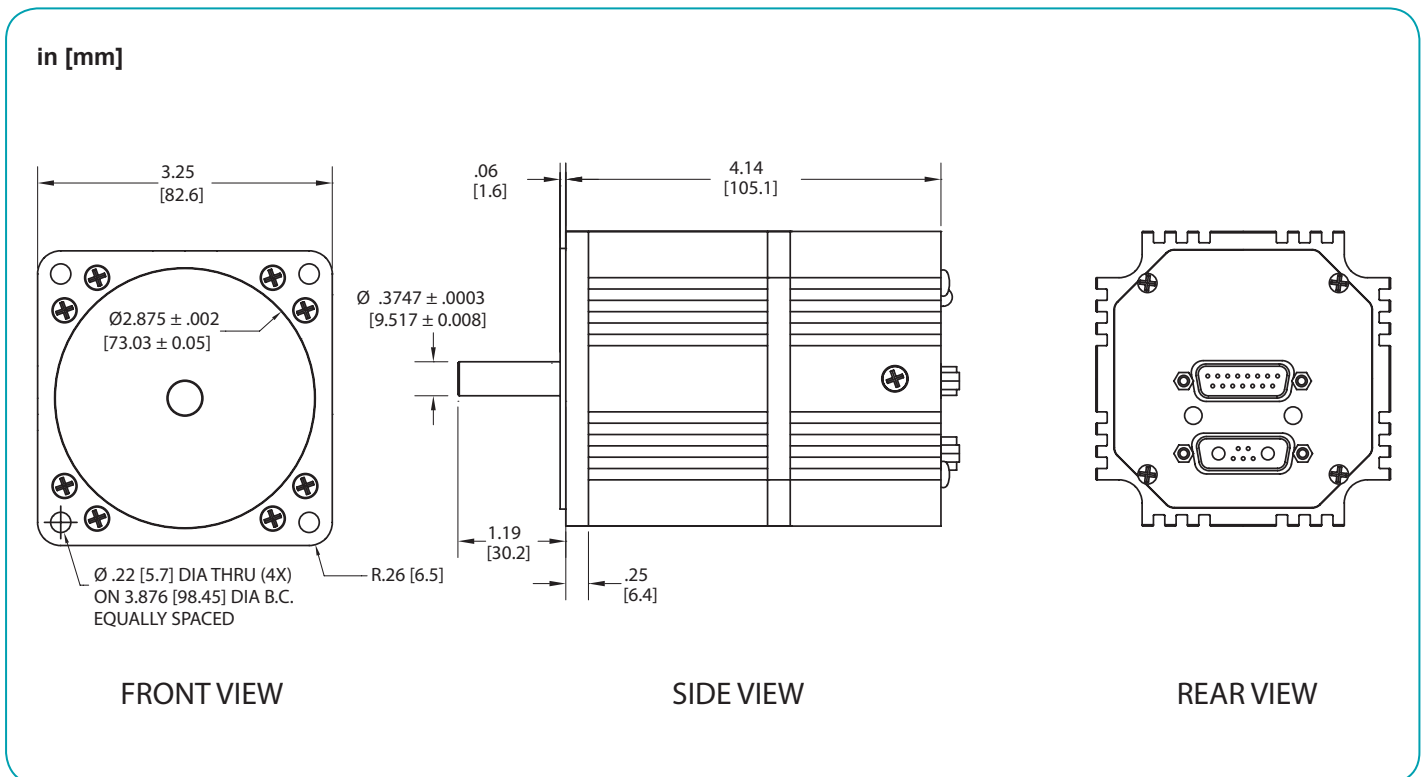


Operating temperature range: 0°C–85°C
Storage temperature range: -10°C–85°C, noncondensing

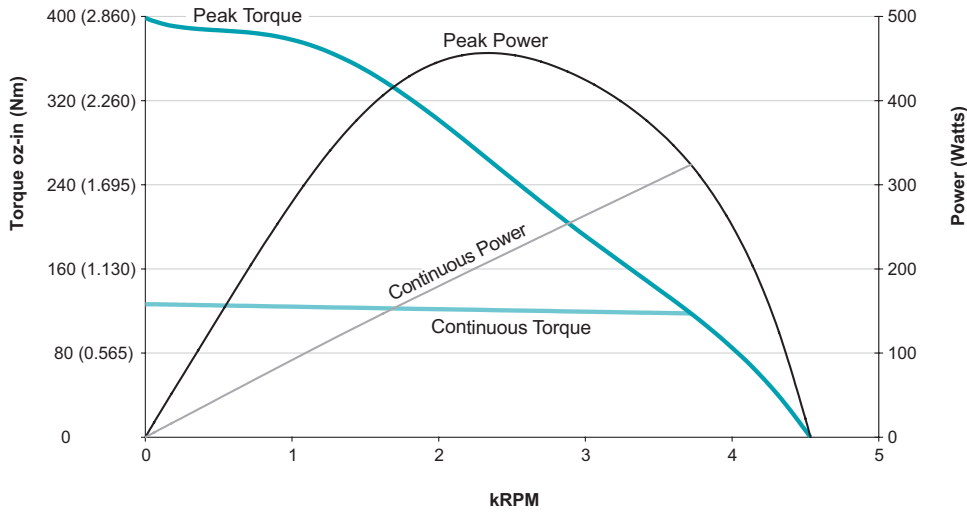
NOTE: Motor specifications are subject to changes without notice. Consult website and factory for latest data.



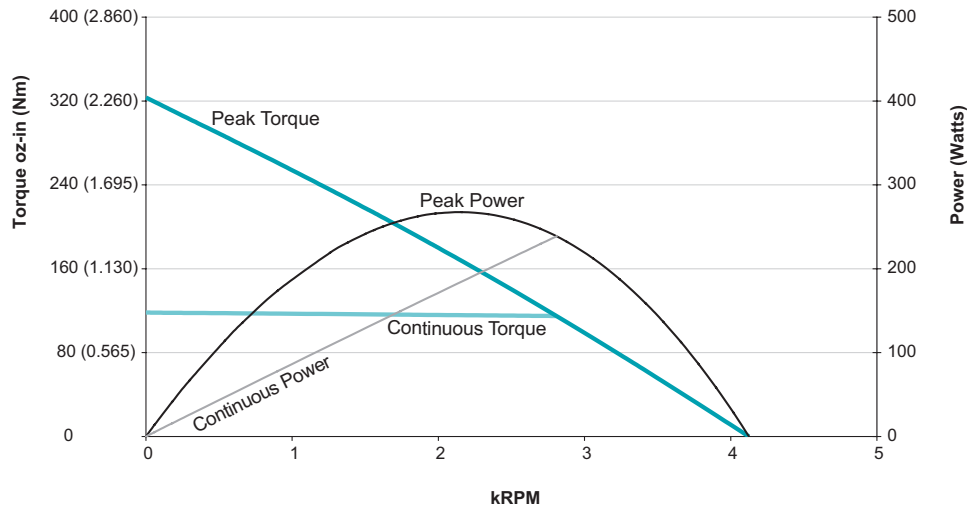
Moog Animatics SmartMotor SM34205D (No Options) CAD Drawing



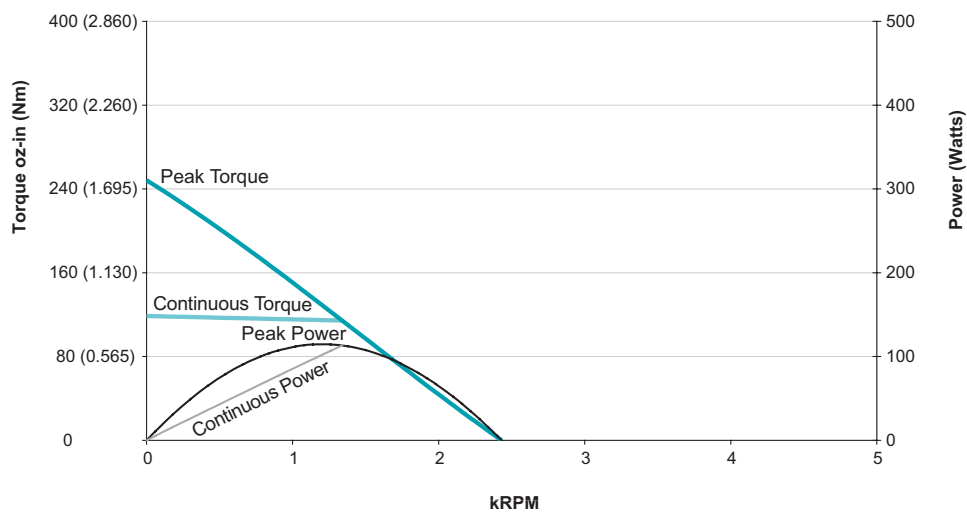
OVERVIEW
SOFTWARE
D-STYLE MOTORS
D-STYLE CONNECTIVITY
PERIPHERALS
M-STYLE MOTORS
M-STYLE CONNECTIVITY
LINEAR SYSTEMS
POWER SUPPLIES & SHUNTS
GEAR HEADS
APPENDIX



**SM34205D
at 48 VDC
at rise to 85°C**



**SM34205D
at 42 VDC
at rise to 85°C**



**SM34205D
at 24 VDC
at rise to 85°C**

All torque curves based on 25°C ambient.
Motors were operated using MDT (Trapezoidal Drive Mode) Commutation.
For ambient temperatures above 25°C, Continuous Torque must be linearly derated to 0% at 85°C.