

SM34305D		
Continuous Torque	10.87	in-lb
	174	oz-in
	1.23	N-m
Peak Torque	34.75	in-lb
	556	oz-in
	3.93	N-m
Nominal Continuous Power	400	Watt
No Load Speed	4,100	RPM
Max. Continuous Current* @ 3600 RPM	10.31	Amps
Peak Power @ 2500 RPM	725	Watts
Voltage Constant	12.1	V/kRPM
Inductance	0.490	mH
Encoder Resolution	8,000	Counts/Rev
Rotor Inertia	0.018	oz-in-sec <sup>2</sup>
	12.56	10 <sup>-5</sup> Kg-m <sup>2</sup>
Weight	4.5	lb
	2.04	kg
Shaft Diameter	0.375	in
	9.53	mm
Shaft, Radial Load	15	lb
	6.80	kg
Shaft, Axial Thrust Load	3	lb
	1.36	kg
DeviceNet Available	Yes	
PROFIBUS Available		
CANopen Available	Yes	

\*Default voltage is 48V. See graphs for additional voltages.



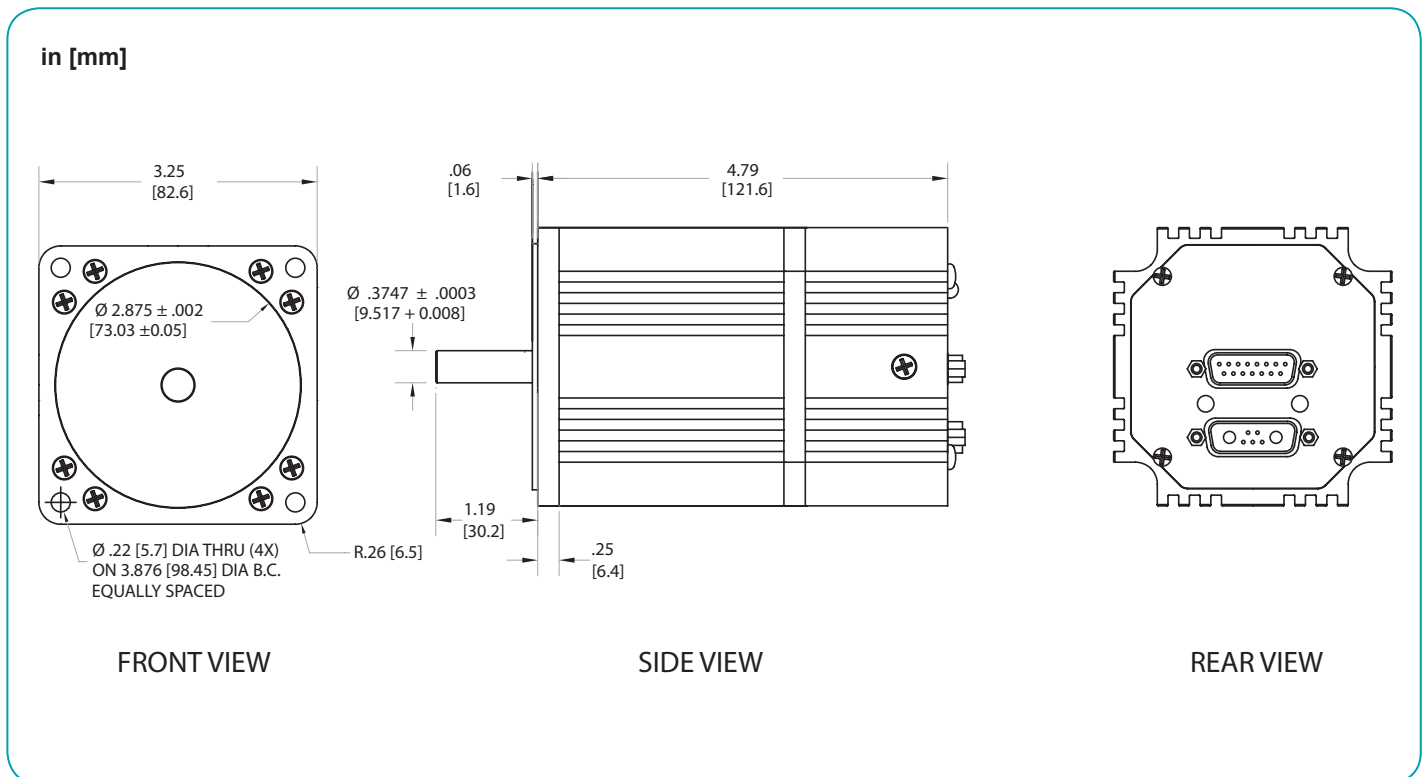
Operating temperature range: 0°C–85°C

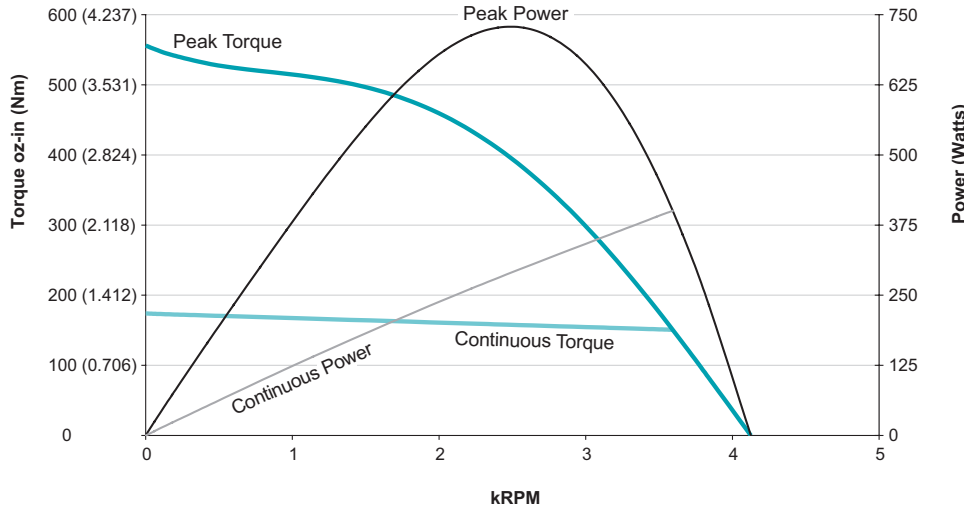
Storage temperature range: -10°C–85°C, noncondensing

**NOTE:** Motor specifications are subject to changes without notice. Consult website and factory for latest data.

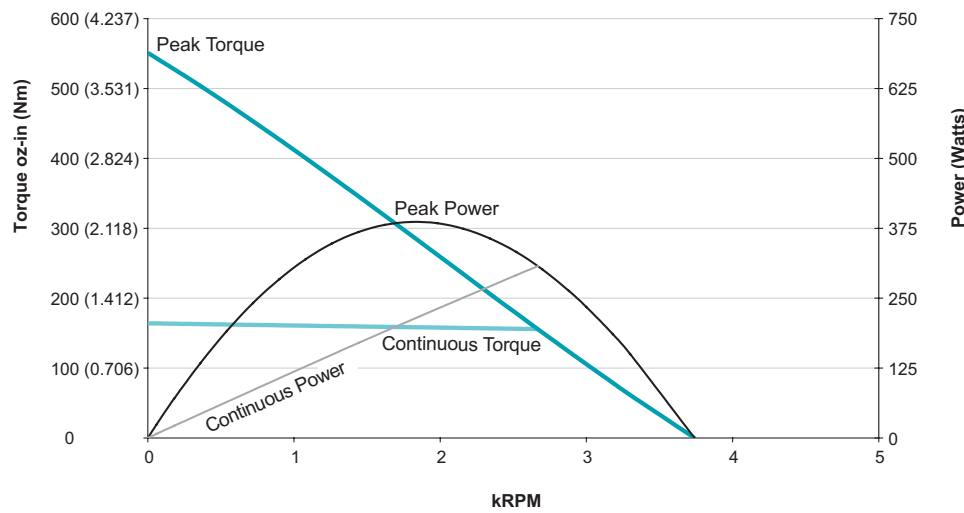


## Moog Animatics SmartMotor SM34305D (No Options) CAD Drawing

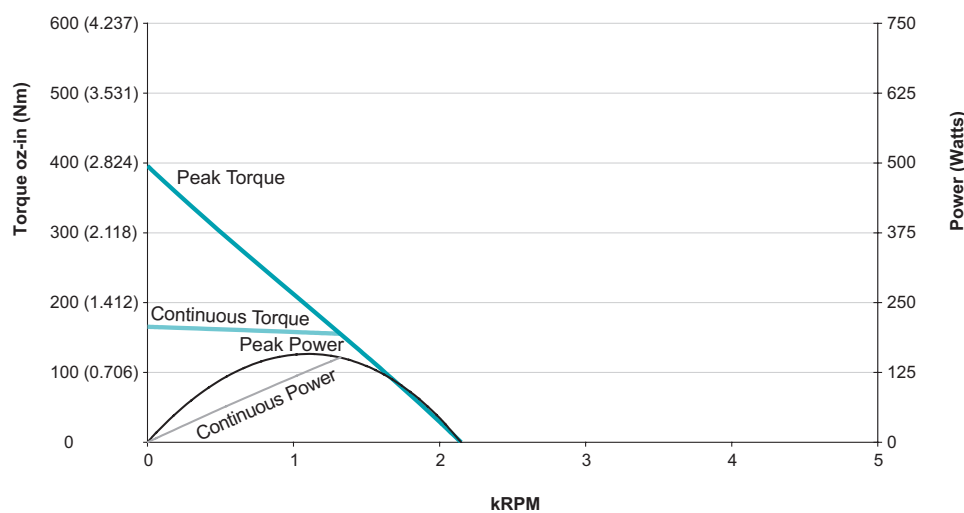




**SM34305D**  
**at 48 VDC**  
**at rise to 85°C**



**SM34305D**  
**at 42 VDC**  
**at rise to 85°C**



**SM34305D**  
**at 24 VDC**  
**at rise to 85°C**

All torque curves based on 25°C ambient.  
 Motors were operated using MDT (Trapezoidal Drive Mode) Commutation.  
 For ambient temperatures above 25°C, Continuous Torque must be linearly derated to 0% at 85°C.