

SM34405D		
Continuous Torque	12.94	in-lb
	207	oz-in
	1.46	N-m
Peak Torque	40.38	in-lb
	646	oz-in
	4.56	N-m
Nominal Continuous Power	438	Watt
No Load Speed	3,800	RPM
Max. Continuous Current* @ 3300 RPM	11.69	Amps
Peak Power @ 2350 RPM	820	Watts
Voltage Constant	12.9	V/kRPM
Inductance	0.913	mH
Encoder Resolution	8,000	Counts/Rev
Rotor Inertia	0.024	oz-in-sec <sup>2</sup>
	17.020	10 <sup>-5</sup> Kg-m <sup>2</sup>
Weight	5.5	lb
	2.49	kg
Shaft Diameter	0.375	in
	9.53	mm
Shaft, Radial Load	15	lb
	6.80	kg
Shaft, Axial Thrust Load	3	lb
	1.36	kg
DeviceNet Available	Yes	
PROFIBUS Available		
CANopen Available	Yes	



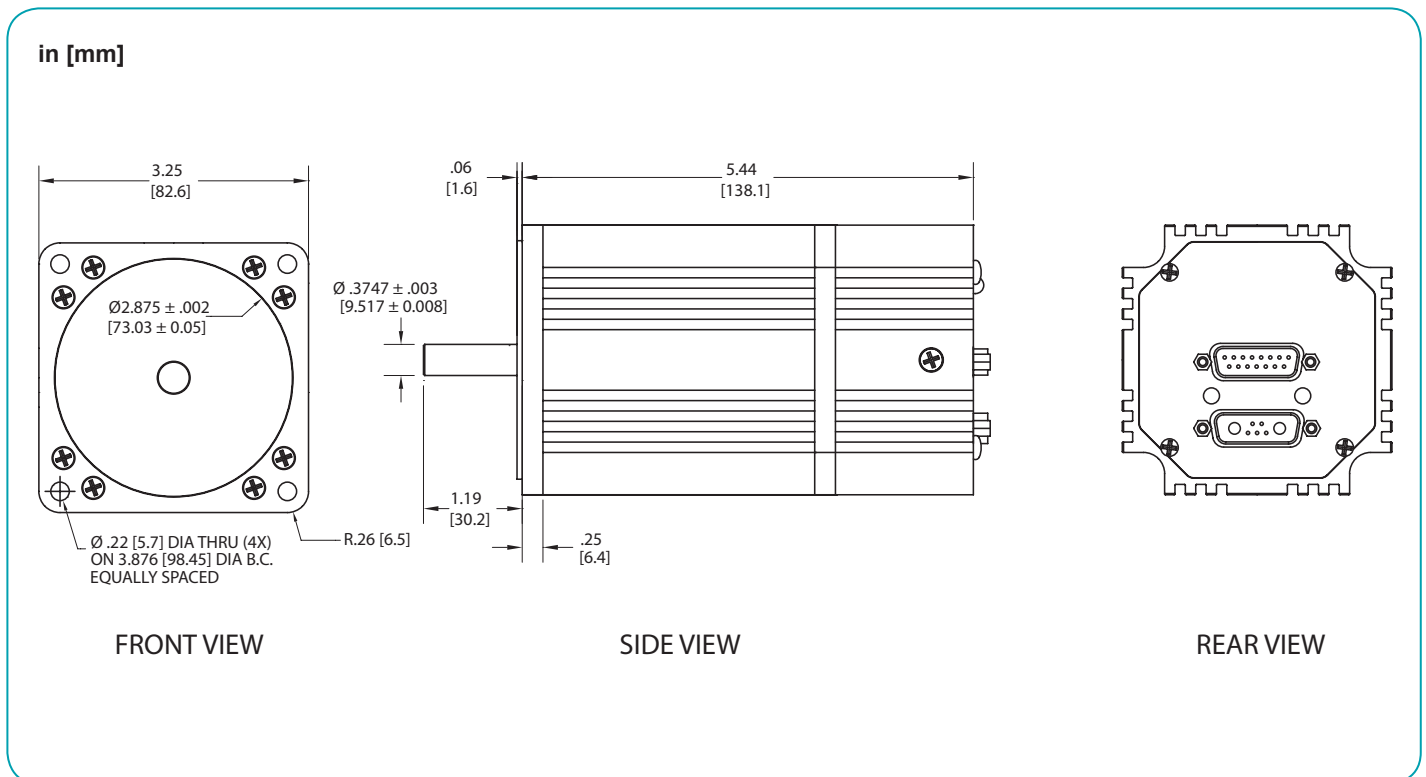
Operating temperature range: 0°C–85°C  
 Storage temperature range: -10°C–85°C, noncondensing

**NOTE: Motor specifications are subject to changes without notice. Consult website and factory for latest data.**

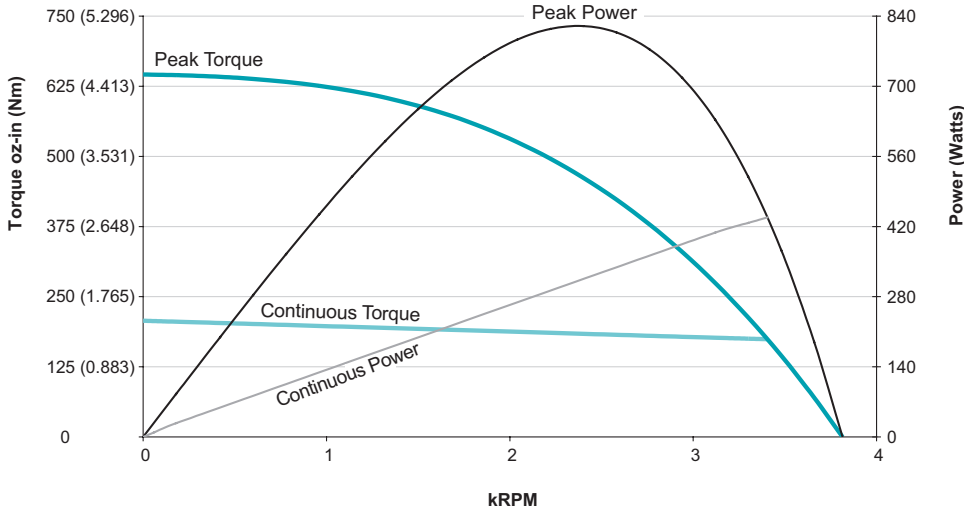


\*Default voltage is 48V. See graphs for additional voltages.

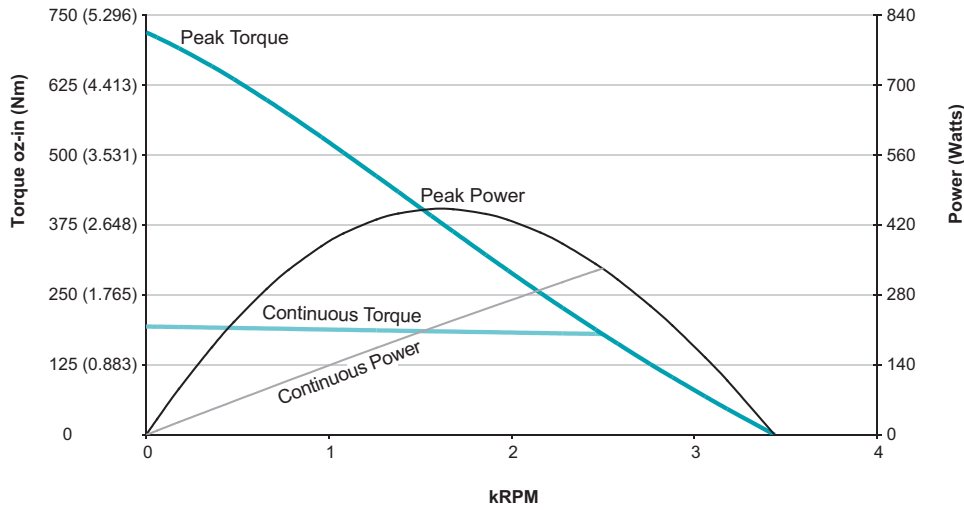
## Moog Animatics SmartMotor SM34405D (No Options) CAD Drawing



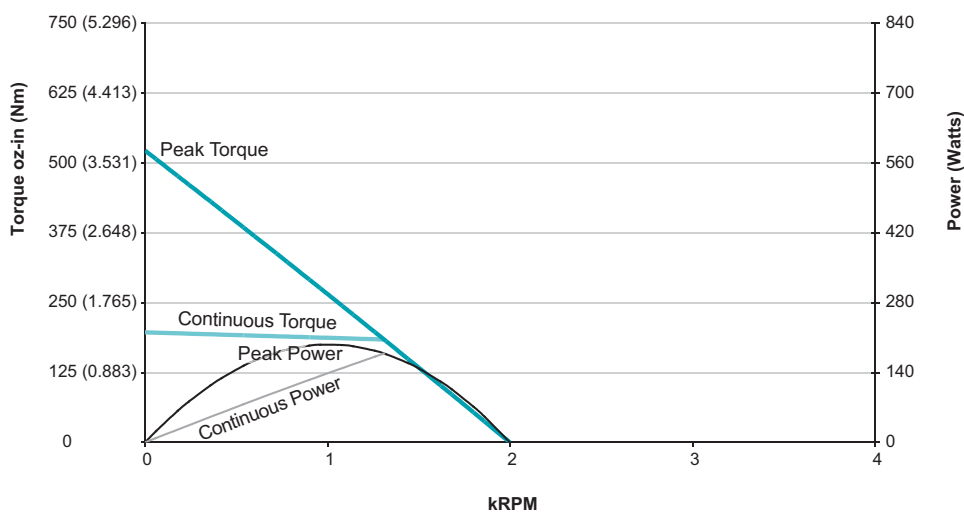
OVERVIEW  
SOFTWARE  
D-STYLE MOTORS  
D-STYLE CONNECTIVITY  
PERIPHERALS  
M-STYLE MOTORS  
M-STYLE CONNECTIVITY  
LINEAR SYSTEMS  
POWER SUPPLIES & SHUNTS  
GEAR HEADS  
APPENDIX



**SM34405D  
at 48 VDC  
at rise to 85°C**



**SM34405D  
at 42 VDC  
at rise to 85°C**



**SM34405D  
at 24 VDC  
at rise to 85°C**

All torque curves based on 25°C ambient.  
Motors were operated using MDT (Trapezoidal Drive Mode) Commutation.  
For ambient temperatures above 25°C, Continuous Torque must be linearly derated to 0% at 85°C.