

QTERM[®]-A12

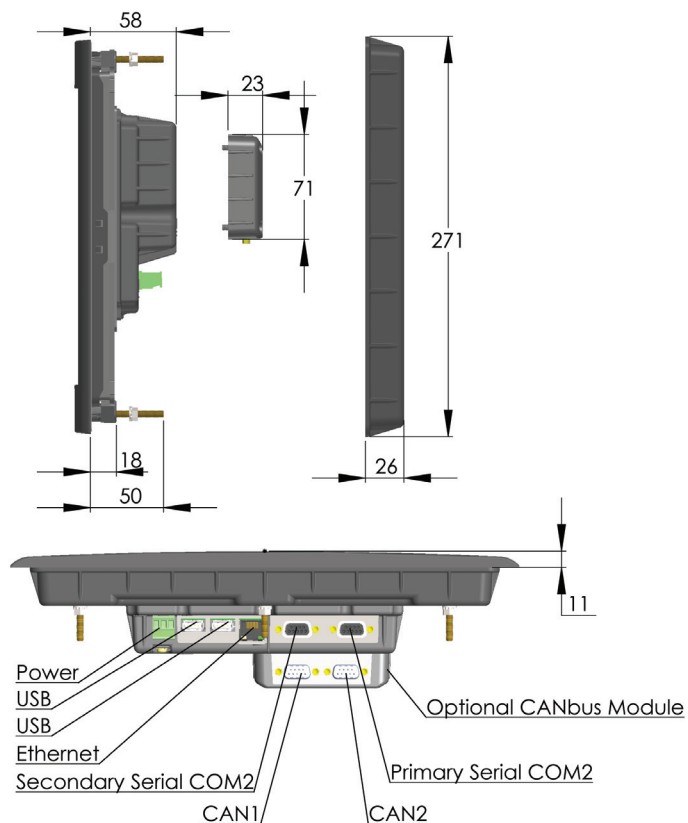
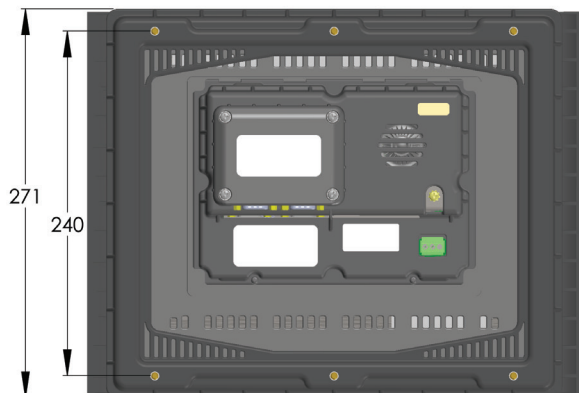
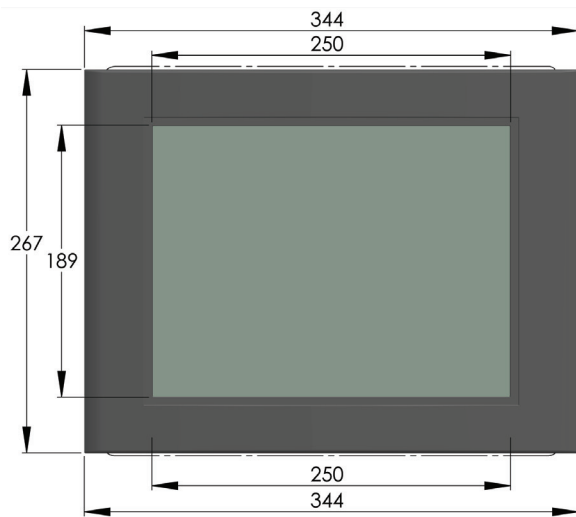
Large, 12.1" Graphic HMI with Universal Connectivity and Optional CANbus

The rugged QTERM-A12 human machine interface can connect to all your automation equipment. The QTERM-A12 includes a large touch screen display, optional CANbus, is UL listed Class I Div 2 and marine ABS certified and can operate in -30 to 70 °C.



Product Highlights

- ▶ 800 x 600 pixel SVGA, 12.1" (307 mm) diagonal, LED lighted, TFT color LCD touch screen display
- ▶ -30 to 70 °C operating temperature
- ▶ UL listed Class 1 Div 2 and marine ABS certified
- ▶ NEMA-4X and IP66 sealing for harsh environments
- ▶ Optional CANbus interface
- ▶ iX Software for automation control or Windows Embedded CE 6.0 development



Dimensions shown in mm.

Beijer
ELECTRONICS

QTERM-A12 Specifications

Feature	Detail	Description
Display	Type	800 x 600 SVGA, TFT color LCD
	Size	12.1" (307 mm) diagonal
	Lighting	LED
Touch Screen	Type	Analog-resistive
Interface	Ethernet	10/100Base-T, RJ-45
	Serial	One EIA-232/422/485 DB9f; one EIA-232 DB9f
	USB	Two 2.0 full-speed host ports (Type A connectors)
	Communication modules	Two isolated CANbus ports (optional)
Processor	Type	XScale™ PXA 300 ARM 624 MHz
Memory	RAM	128 MB
	Flash	4 GB
Realtime Clock	Standard	Battery-backed, 1 second resolution
Audio	Speaker	8 Ohms 0.7 Watts
Power	Input	10 to 32 VDC
	Consumption	9 Watts @ 24 VDC (typical), 13 Watts @ 24 VDC (max)
	PoE	10.5 Watts @ 48 VDC (typical), 14.2 Watts @ 48 VDC (max)
Mechanical	Type	Panel-mount
	Size	344.4 (W) x 267 (H) x 69.1 (D) mm
	Mass	2.05 kg
	Housing Material	Polymer

Environmental	Sealing - Front Panel	UL 50 Type 4X (outdoor), IP66, NEMA-4X
	Temperature	Operating: -30 to 70 °C; Storage: -40 to 85 °C
	Humidity	5 to 95%, non-condensing
	Vibration	4 g 10-1500 Hz
Certifications	Hazardous Locations	ANSI/ISA 12.12.01 (formerly UL 1604) Class I, Div 2
	UL	UL 508
	CE	EN55022, EN55024 and EN60950
	EMC	FCC Part 15
	Marine	ABS

Software	Operating System	Windows® Embedded CE 6.0
	Development Environments	Visual Studio®, iX Developer
	Development Languages	Visual Basic®, Visual C#®, Visual C++®, iX Software
	Runtime Environments	.NET Compact Framework, iX Runtime



US Office

Beijer Electronics, Inc.
1865 West 2100 South
Salt Lake City, Utah 84119-1303 USA
www.BeijerInc.com / 1-801-466-8770

Headquarters

Beijer Electronics Products AB
P.O. Box 426
201 24 Malmö, Sweden
www.BeijerElectronics.com / +46 40 35 86 00

M01-040-00 REV 07
16 December 2013

Copyright © 2013 Beijer Electronics. All rights reserved.

The information at hand is provided as available at the time of printing. Beijer Electronics reserves the right to change any information without updating this publication. Beijer Electronics does not assume any responsibility for any errors or omissions in this publication.