

QTERM®-G72

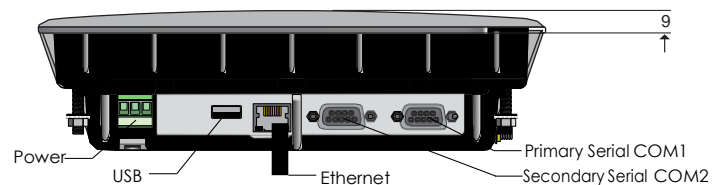
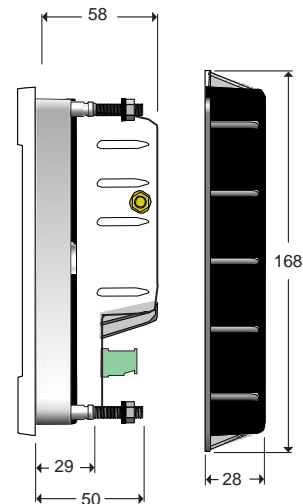
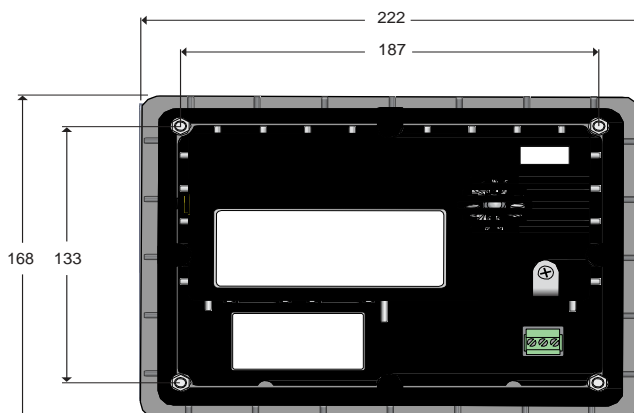
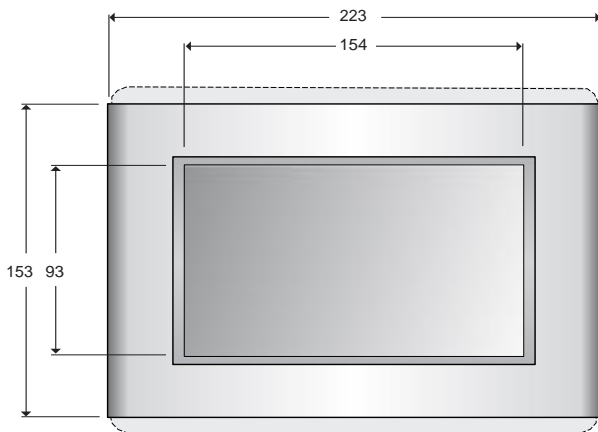
7" Widescreen, High-Resolution HMI

QSI The QTERM-G72 features a bright, widescreen display with touch screen. With the included 10/100Base-T Ethernet interface and two serial ports, this terminal is ready to connect to nearly any device.



Product Highlights

- 800 x 480 pixel WVGA, 7" (177 mm) diagonal, LED litged, TFT color LCD touch screen display
- 10/100Base-T Ethernet
- Two serial ports: EIA-232 and EIA-232/422/485
- NEMA-4X and IP66 sealing for harsh environments
- Qlarity 2 object-based programming language



Dimensions shown in mm.

QTERM-G72 Specifications

Feature	Detail	Description
Display	Type	800 x 480 WVGA, TFT color LCD
	Size	7" (177 mm) diagonal
	Lighting	LED
Touch Screen	Type	Analog-resistive
Interface	Ethernet	10/100Base-T, RJ-45
	Serial	One EIA-232/422/485 DB9f; one EIA-232 DB9f
	USB	2.0 full-speed host port for USB memory stick
Processor	Type	Atmel ARM-9 196 MHz
Memory	RAM	32 MB
	Flash	4 MB
Realtime Clock	Standard	Battery-backed, 1 second resolution
Audio	Speaker	8 Ohms 0.7 W
Power	Input	10 to 32 VDC
	Consumption	8 Watts @ 24 VDC
Mechanical	Type	Panel-mount
	Size	223 (W) x 153 (H) x 66 (D) mm
	Mass	1 kg
	Housing Material	Polymer

Environmental	Sealing - Front Panel	IP66, NEMA-4X
	Temperature	Operating: -20 to 70 °C; Storage: -30 to 85 °C
	Humidity	5 to 95%, non-condensing
	Vibration	4 g 10-1500 Hz
Certifications	UL	UL 508
	CE	EN55022, EN55024 and EN60950
	EMC	FCC Part 15

Software	Development Environment	Qlarity® Foundry
	Runtime Environment	Qlarity® 2



US Office

Beijer Electronics, Inc.
1865 West 2100 South
Salt Lake City, Utah 84119 USA

www.BeijerInc.com / 1-801-466-8770

Headquarters

Beijer Electronics Products AB
P.O. Box 426
201 24 Malmö, Sweden

www.BeijerElectronics.com / +46 40 35 86 00

M01-045-00 REV 05

DECEMBER 2014

Copyright © 2011-14 Beijer Electronics. All rights reserved.

The information at hand is provided as available at the time of printing. Beijer Electronics reserves the right to change any information without updating this publication. Beijer Electronics does not assume any responsibility for any errors or omissions in this publication.