

X2 migration guidelines

X2 series

Strong. Stylish. Smart.



The X2 series is the next generation of HMIs from Beijer Electronics. Six product families combine great design with strong performance to power your HMI solutions. Create smart integrated solutions boosted by iX HMI software and WARP Engineering Studio.

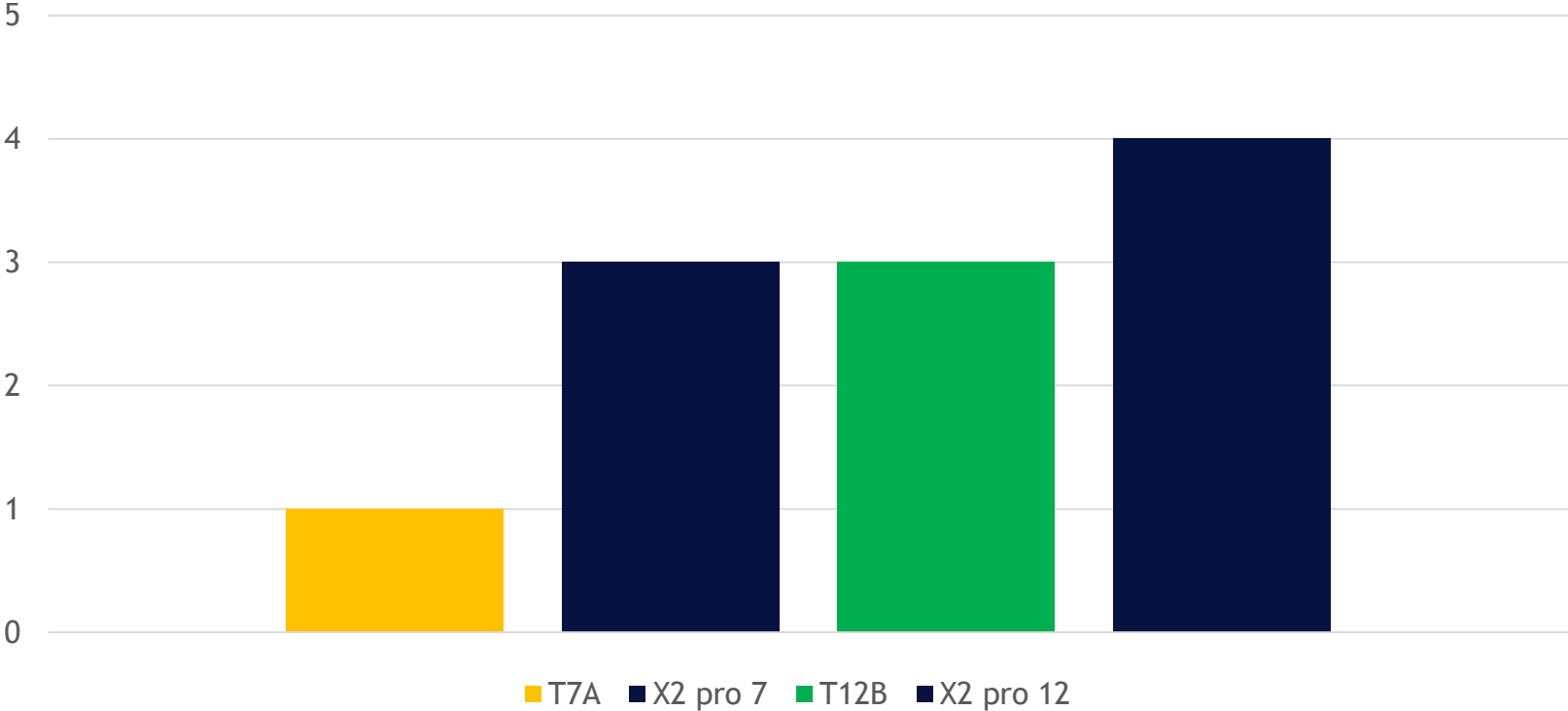
TxA, TxB vs X2

- ▶ X2 pro replaces both TxA and TxB and offers plenty of advantages offering higher performance, more certifications and an updated design.
- ▶ X2 pro offers a straight forward replacement for the TxA and TxB according to the table below. T7B has several options which are described on slide 7.

	TxA	TxB	X2 pro	Comment
4"	T4A		X2 pro 4	
7"	T7A	T7B	X2 pro 7	
10"	T10A		X2 pro 10	New cut-out
12"		T12B	X2 pro 12	
15"		T15B	X2 pro 15	

Performance

iX performance



Certifications and declarations

	TxA	TxB	X2 pro
CE	Yes	Yes	Yes
UL	Yes	Yes	Yes
Marine	DNV only	No	DNV, LR, GL, KR, ABS
Green Passport	Yes	No	Yes
MTBF	No	No	Yes

T7B to X2 migration

- ▶ T7B have several possible migration possibilities to the X2 series which depends on the reason why the customer selected a T7B over a T7A
 1. T7B has higher performance than T7A
 - a) Migrate to X2 pro 7
 2. T7B has two Ethernet ports
 - a) Migrate to X2 control 7
 - b) Migrate to X2 pro 10
 3. T7B has longer display backlight life
 - a) Migrate to X2 marine 7
 - b) Migrate to X2 pro 10

T7A, T7B vs X2

	T7A	T7B
No. of Ethernet ports	1	2
Display life	20 000 h	50 000 h
Performance	1	3
Size	7"	7"

	X2 pro 7	X2 pro 10	X2 marine 7	X2 control 7
No. of Ethernet ports	1	2	1	2
Display life	20 000 h	50 000 h	50 000 h	20 000 h
Performance	3	3	3	3
Size	7"	10"	7"	7"

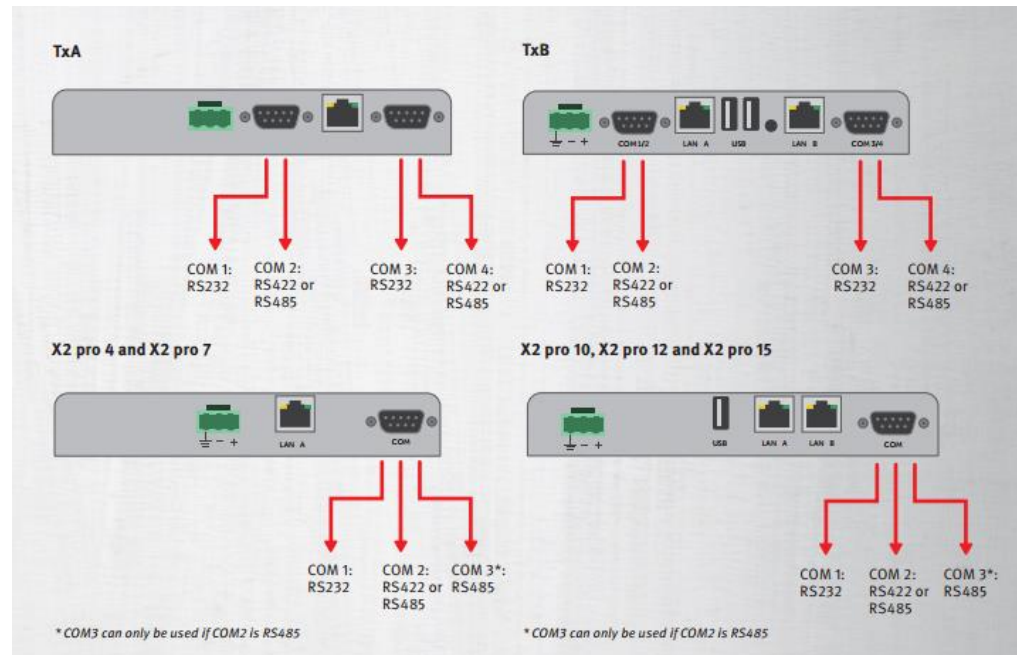
X2 pro serial ports vs TxA and TxB

- ▶ X2 pro, X2 marine, X2 control and X2 motion has one physical serial port with 3 possible pin outs

- 1x RS232 and 1x RS422
- or
- 1x RS232 and 1x RS485

▶ Cable Accessories

- CAB150 - 3 way splitter cable
 - Used when 2xRS485 are needed
- CAB153 - Termination plug
 - RS422 panel side termination plug.
 - Used when RS422 point to point communication is used
- CAB109 - 2 way splitter cable
 - Used when RS232 and RS422 is used



X2 series

Strong. Stylish. Smart.

Beijer
ELECTRONICS