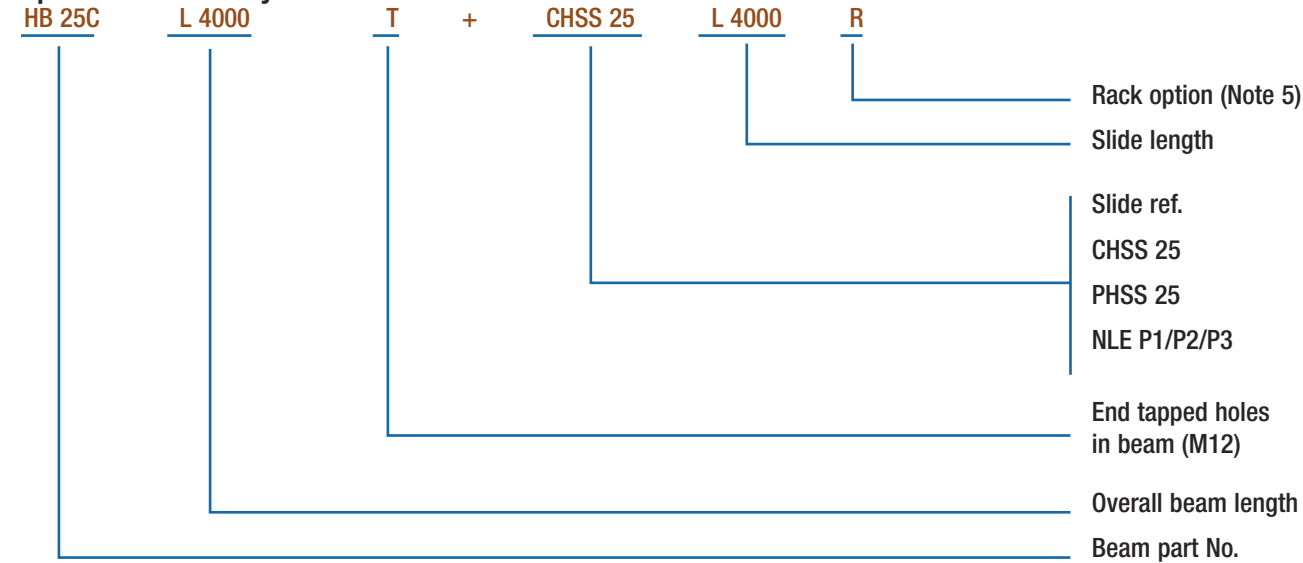


Ordering Details

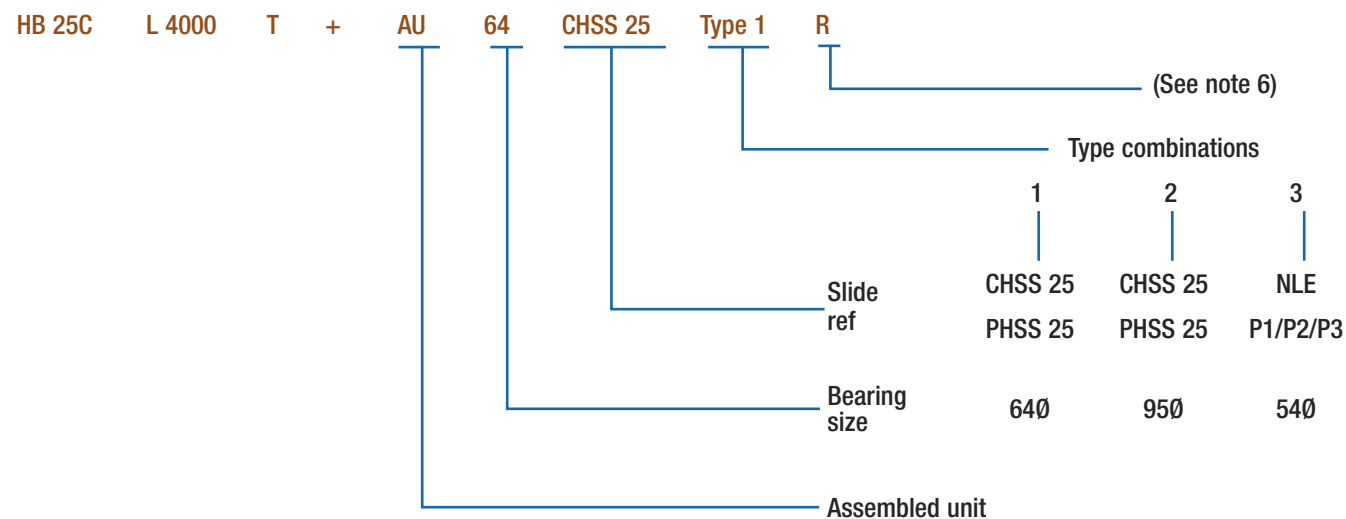
The Heavy Duty Compact Beam can be supplied in 4 formats.

1. With slides attached and bearings/cap wipers supplied separately. No carriage plate.
2. With slides attached complete with assembled carriage fitted to suit type 1, 2 or 3.
3. As a 2 stage telescopic unit - details will be provided.
4. As a Ball screw driven unit refer to HDCS leaflet.

Option 1. Beam only with slides fitted.



Option 2. Beam with slides and assembled carriage fitted.



Option 3 and 4.

Ordering details will be provided

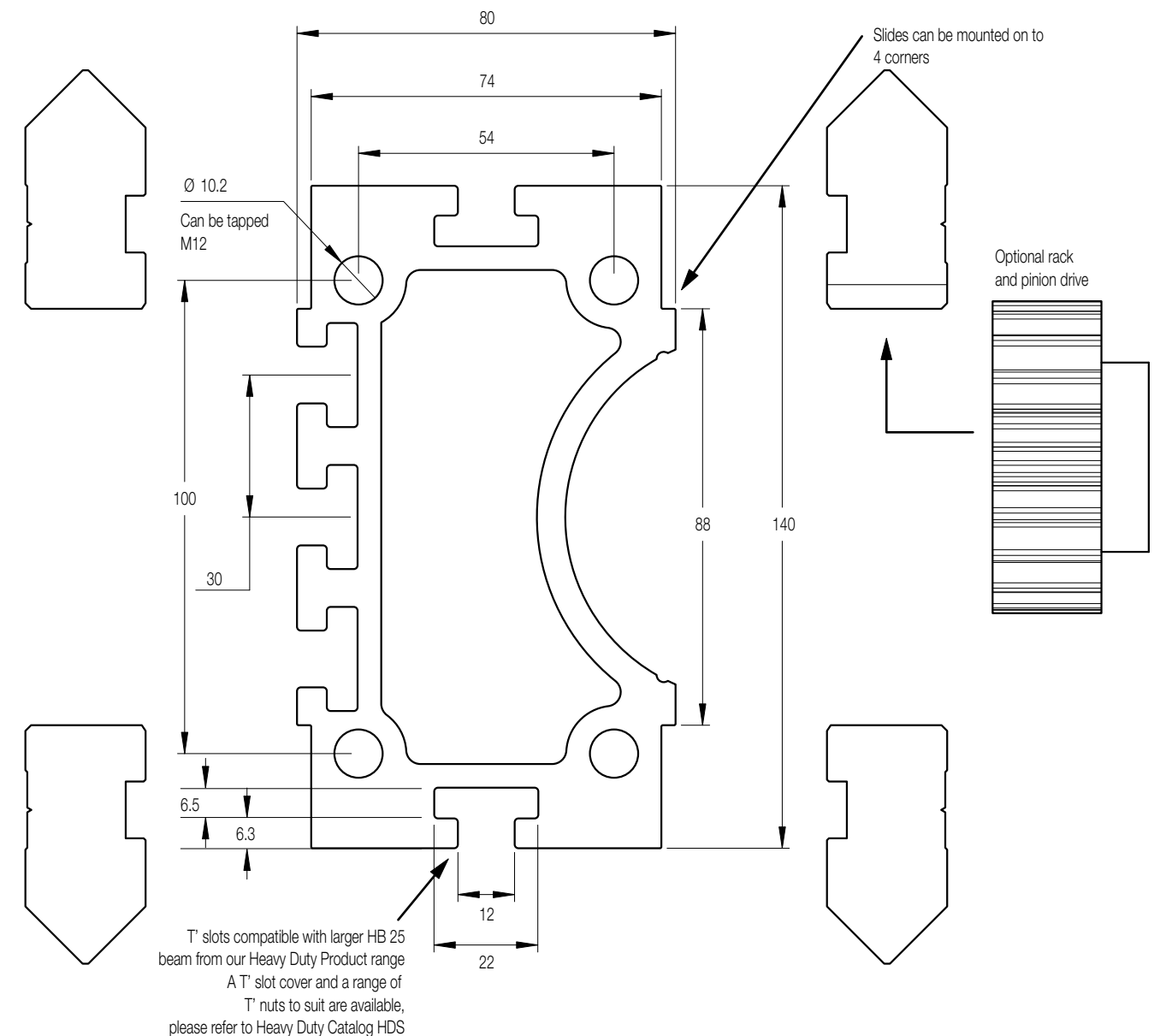
Note 5 - Mod 2.5 rack is standard option. Hardened mod 3 can be supplied on request.

Note 6 - The carriage design for a rack driven assembled unit will be different to illustration, our Sales Department will provide details.

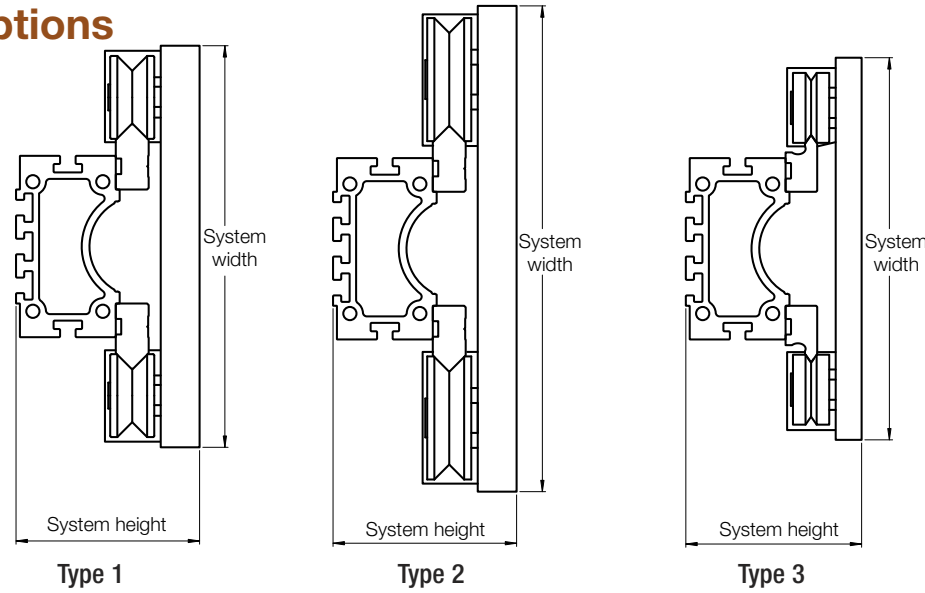
HepcoMotion® HDCB Heavy Duty Compact Beam Data Sheet

A versatile addition to our Heavy Duty product the compact section aluminum beam has the facility to mount slides on all 4 corners. In addition to its use as a single axis unit the compact beam can be made into a 2 stage telescopic axis. The curved recess feature is to allow the inclusion of a ball screw drive where applicable, details of this product are shown in a separate leaflet HDCS (Heavy Duty Compact Screw). Units can also be rack driven by the inclusion of a rack on the back face of the single edge slides. A range of standard carriage plates is offered for ease of mounting.

Max beam length in one piece = 6 meters



Assembled Options



| Type | Fitted Slide | Used with bearing | System height | System width | Rack driven option | Ballscrew driven option HDCS |
|------|--------------|-------------------|---------------|--------------|--------------------|------------------------------|
| 1 | PHSS/CHSS25 | 64Ø | 141,5 | 310 | Yes | Yes |
| 2 | PHSS/CHSS25 | 95Ø | 141,5 | 375 | Yes | Yes |
| 3 | NLE | 54Ø | 135,5 | 295 | Yes | No |

Notes

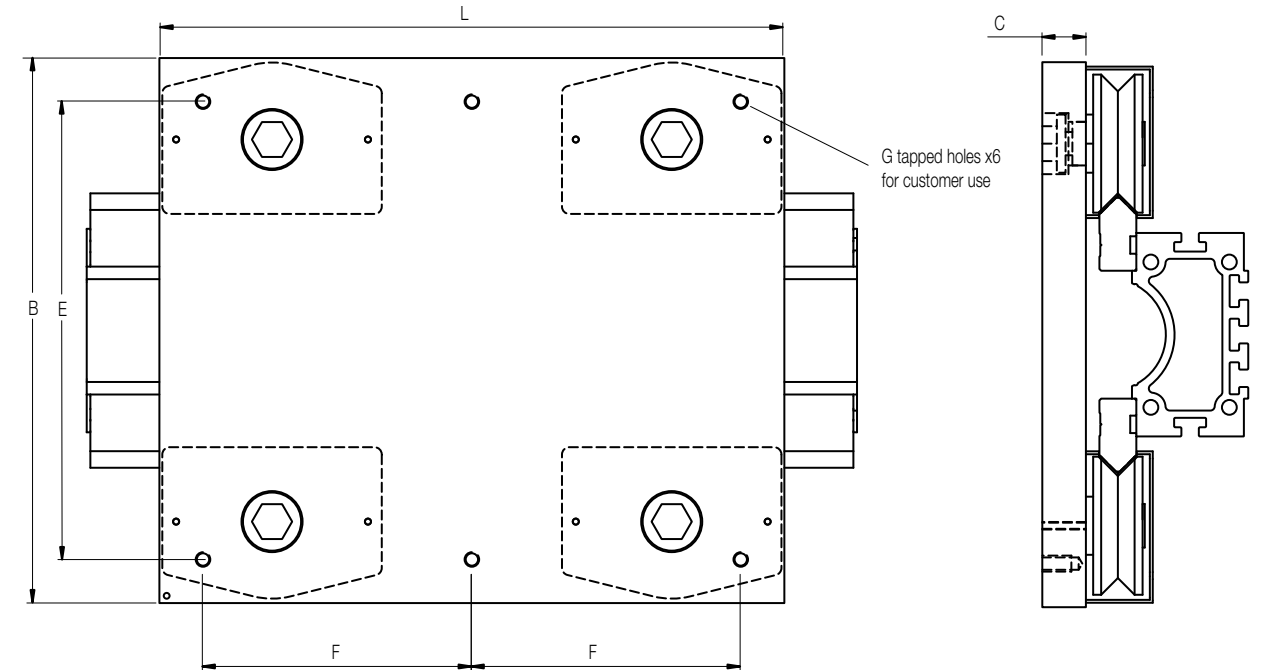
- Types 1 and 2 use single edge slides and bearings from our Heavy Duty Product, type 3 uses single edge spacer slides with bearings from our GV3 product range. Please refer to separate catalogs HDS and GV3 for further details.
- Slides can be fitted to opposite faces as illustrated if required.
- Construction of carriage plate for rack driven option may vary from above illustrations, details will be supplied.
- Beam units can be supplied with slides fitted without carriage plates if required.
- All assembled units are fitted with cap wipers for positive lubrication.
- Details of HDCS are available in a separate Product Data Sheet on request.
- Slides can be fitted to opposing faces than illustrated.

Load Capacities

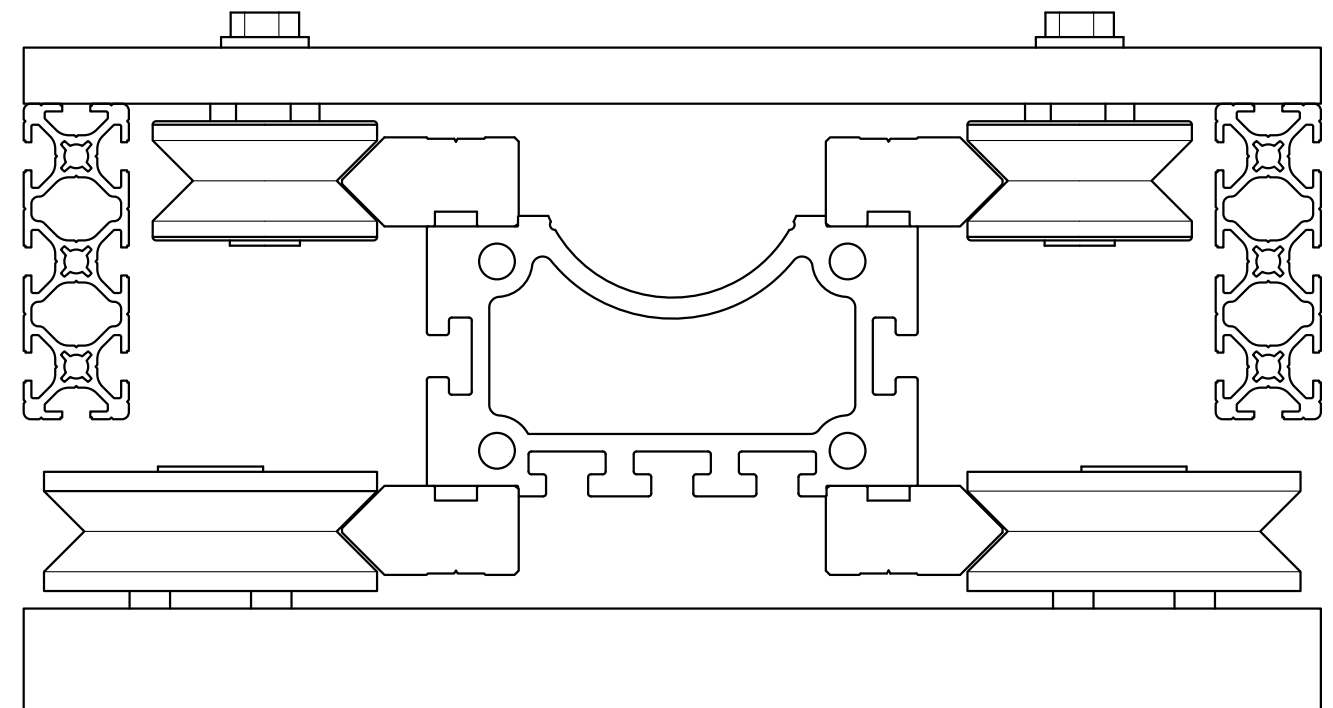
The table below shows the maximum loading for each possible loading mode. It also includes loads for 10,000km travel. This table is intended as a guide for initial selection only. Please complete and submit the Application Data Sheet on the Bishop-Wisecarver website and we will calculate the system Load/Life for you.

| Type* | L1 | L2 | Ms | Mv | M |
|-------|-------------------|--------------------|-------------------|--------------------|--------------------|
| 1 | max 10000N @300km | max 16000N @300km | max 940Nm @ 300km | max 1861Nm @300km | max 1135Nm @ 300km |
| | 3100N @ 10000km | 4960N @10000km | 291Nm @ 10000km | 563Nm @10000km | 352Nm @ 10000km |
| 2 | max 28000N @300km | max 40000N @ 300km | max 2632Nm @300km | max 5500Nm @ 300km | max 3850Nm @300km |
| | 8680N @10000km | 12400N @ 10000km | 816Nm @10000km | 1705Nm @ 10000km | 1193Nm @10000km |
| 3 | max 10000N @300km | max 10000N @300km | max 870Nm @300km | max 1290Nm @300km | max 1290Nm @300km |
| | 3490N @ 10000km | 3490N @10000km | 304Nm @10000km | 450Nm @10000km | 450Nm @10000km |

Carriage Plate Details



| Part No. | B | L | C | F | E | G | For use with |
|------------|-----|-----|----|-----|-----|---------------|--------------|
| CP-HDCB 64 | 310 | 350 | 30 | 145 | 250 | M10 x 20 deep | Type 1 |
| CP-HDCB 95 | 375 | 430 | 30 | 185 | 315 | M10 x 20 deep | Type 2 |
| CP-HDCB 54 | 295 | 360 | 20 | 165 | 265 | M10 through | Type 3 |



Due to its compact section and facility to mount slides on all 4-corners the Compact Beam lends itself very well to be used as a Telescopic Z axis. For lifting capacity and length availability please contact our sales department.