

# EPX2 PowerStations

The New Generation Affordable and Enhanced Reliability PowerStations for InteractX HMI Applications

**New  
No-Display  
and 6"  
Models**



The EPX2 family of PowerStations are designed to bring the award winning power of InteractX to machine level HMI applications. This update to the popular EPX family is focussed on increasing robustness and reliability. New features Include:

- Solid State CompactFlash based mass storage
- Fan-less convection cooling
- Windows® embedded standard operating system
- Elimination of all moving parts for enhanced reliability

These design enhancements place the EPX2 among the most rugged and reliable InteractX PowerStations ever!



InteractX runtime software pre-installed.

## Contact Information:

Parker Hannifin Corporation  
**Electromechanical Automation Division**  
 5500 Business Park Drive  
 Rohnert Park, CA 94928  
**phone 800.358.9068**  
[www.parkermotion.com/SCADA](http://www.parkermotion.com/SCADA)

Performance Features		
<b>CPU</b>	AMD LX800 (500 MHz)	
<b>DRAM</b>	512 MB	
<b>Operating System</b>	Windows® embedded standard 2009 (XP embedded)	
<b>Hard Drive</b>	8 GB CompactFlash	
Display Size	Resolution	Model Number
<b>No Display</b>	—	EPX200N-EUA3-1
<b>6" Display</b>	VGA (640 x 480)	EPX026T-EUA3-1
<b>8" Display</b>	VGA (640 x 480)	EPX208T-EUA3-1
<b>10" Display</b>	VGA (640 x 480)	EPX210T-EUA3-1
<b>15" Display</b>	XGA (1024 x 768)	EPX215T-EUA3-1



The new EPX2 industrial-hardened PowerStations provide big performance in a small platform. The EPX2 is the perfect platform for HMI only applications, offering the software power, features and flexibility normally reserved for SCADA level applications in a robust, cost effective hardware platform.

The small form factor EPX2 includes unlimited tag InteractX runtime Windows HMI. Unique InteractX screen scaling software allows advanced graphic applications to be downloaded and run on any EPX2 PowerStation\*.

*\* EPX2 is the perfect platform for InteractX HMI applications, however, it is not designed to support extensive additional 3rd party software. For applications requiring database software or other additions, IPX PowerStations are recommended.*

## EPX2 Features

EPX2 PowerStation enhanced updates and core features include:

- **No display, 6", 8", 10.4" and 15" touchscreen displays**
- **InteractX HMI Software**
- **CompactFlash storage**
- **AMD LX-800 CPU**
- **2 USB ports**
- **2 Serial ports**
- **100BaseT Ethernet port**
- **Multiple control device connectivity**
- **Slim profile with consistent features**
- **Quick and easy clip mounting**
- **NEMA 4X rating**
- **24 VDC power**

Windows® is a registered trademark of Microsoft Corporation.



ENGINEERING YOUR SUCCESS.

# EPX2 PowerStation Specifications

Features	EPX200	EPX206	EPX208	EPX210	EPX215	
<b>Size</b>	EPX200 has no display, but is pre-configured with a standard XGA output.	6" Color TFT 5.7" Diagonal	8" Color TFT 7.5" Diagonal	10" Color TFT 10.4" Diagonal	15" Color TFT 15" Diagonal	
<b>Resolution</b>		VGA (640x480)	VGA (640 X480)	VGA (640 x 480)	XGA (1024 x 768)	
<b>Display</b>	<b>Viewing Angle</b>	Can be used with our PHM Family monitors to create a "split" system	±80° L/R 80° U, 70° D	±70° L/R 60° U, 65° D	±70° L/R 50° U, 60° D	±80° L/R 80° U, 60° D
	<b>Brightness</b>		350 NIT	400 NIT	200 NIT	250 NIT
	<b>Bulb Life (hrs)</b>		75,000	50,000	50,000	40,000
<b>Weight (lbs)</b>	2.0	2.6	4.1	8.4	13.8	
<b>Dimensions Inches (HxWxD)</b>	6.05 x 4.12 x 2.52	6.00 x 7.40 x 2.99	7.60 x 10.20 x 3.06	11.00 x 13.78 x 4.01	13.30 x 16.80 x 5.19	
<b>Interface</b>	Analog Resistive Touchscreen					
<b>Power Requirement*</b>	12/24VDC @ 18W (Range: min 11 VDC, 28 VDC Max)		24 VDC @ 22W (Range: min 18 VDC, 28 VDC max)			
<b>HMI Software</b>	InteractX Runtime (pre-installed)*					
<b>Processor</b>	AMD LX800 (500 MHz)					
<b>CompactFlash Storage</b>	8 GB CompactFlash (Minimum- Actual storage volumes may be higher)					
<b>Ports</b>	<b>Keyboard</b>	USB 2.0				
	<b>Mouse</b>	USB 2.0				
	<b>USB</b>	(2) USB 2.0, Type A				
	<b>Serial</b>	(1) RS-232, (1) RS-232/422/485				
	<b>Ethernet</b>	(1) 10/100Base-T w/ RJ45				
<b>Environment</b>	<b>Temperature</b>	0 – 50°C				
	<b>Rel. Humidity</b>	5-95% (non-condensing)				
	<b>Vibration</b>	10-500 Hz 2grms (Random)				
<b>Shock</b>	10G, 11 msec (operating); 30G, 11 msec (non-operating)					
<b>Agency Approval</b>	CE; UL/CUL, NEMA 4X (Indoor Only); Class 1 Div. 2 (Available as an option)					



\* Units use P1X-PWARC power supply which can be mounted on back of 10" and 15" units.

## EPX2 Ordering Information

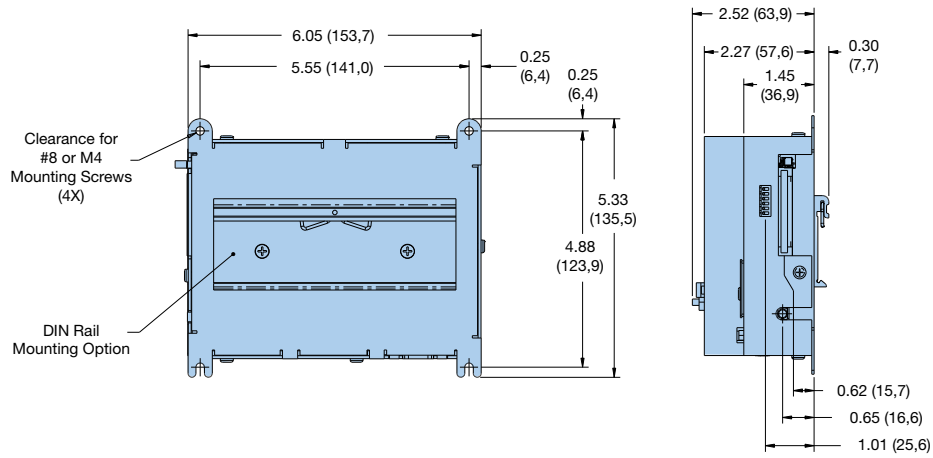
①	②	③	④	⑤	⑥
<b>Order Example:</b>	<b>EPX2</b>	<b>00N</b>	<b>- E</b>	<b>U</b>	<b>A 1 - 1</b>

Select an option from each numbered field to create a complete model order code.

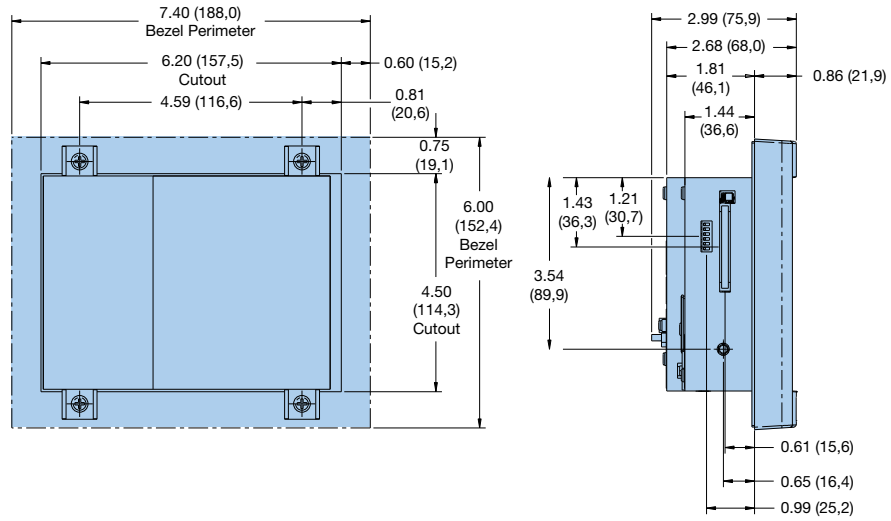
- |   |   |   |
|---|---|---|
| <p>① <b>Series</b><br/><b>EPX2</b> Industrial PC</p>  | <p>③ <b>Operating System</b><br/><b>E</b> Windows XP Embedded</p> | <p>⑤ <b>Agency Approval</b><br/><b>1</b> No approvals<br/><b>3</b> UL/CUL/CE<br/><b>5</b> UL/CUL/CE Class 1 Div 2</p> |
| <p>② <b>Display</b><br/><b>00N</b> No display<br/><b>06T</b> 6" VGA (640x480 pixels)<br/><b>08T</b> 8" VGA (640x480 pixels)<br/><b>10T</b> 10" VGA (640x480 pixels)<br/><b>15T</b> 15" XGA (1024x768 pixels)<br/><b>15A</b> 15" XGA (1024x768 pixels)<br/>Stainless Steel bezel</p> | <p>④ <b>Storage</b><br/><b>U</b> 8 GB CompactFlash</p>            | <p>⑥ <b>CPU</b><br/><b>1</b> AMD LX800 (500 MHz)</p>  |

# Cutout Dimensions

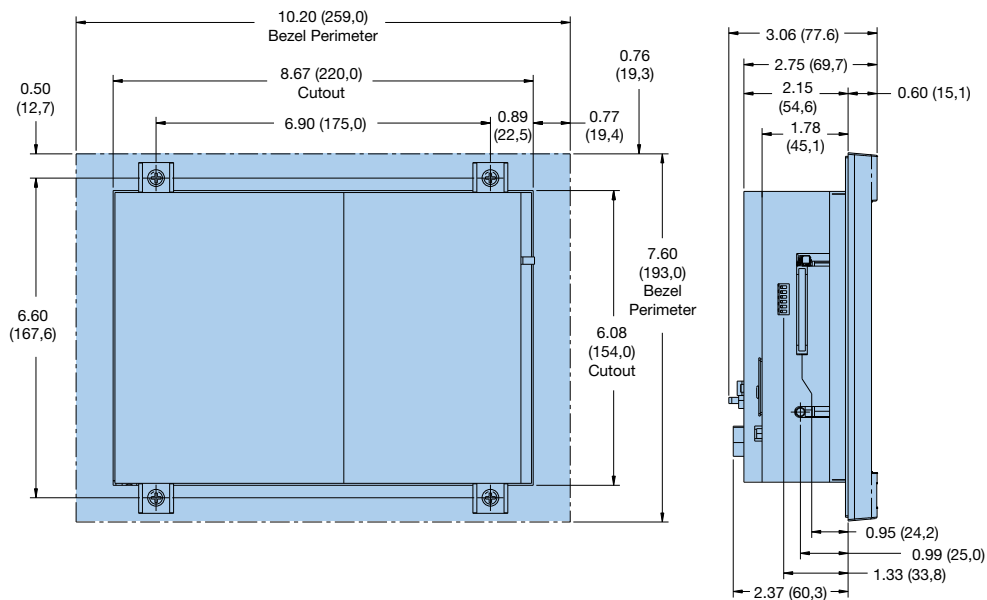
## EPX200



## EPX206

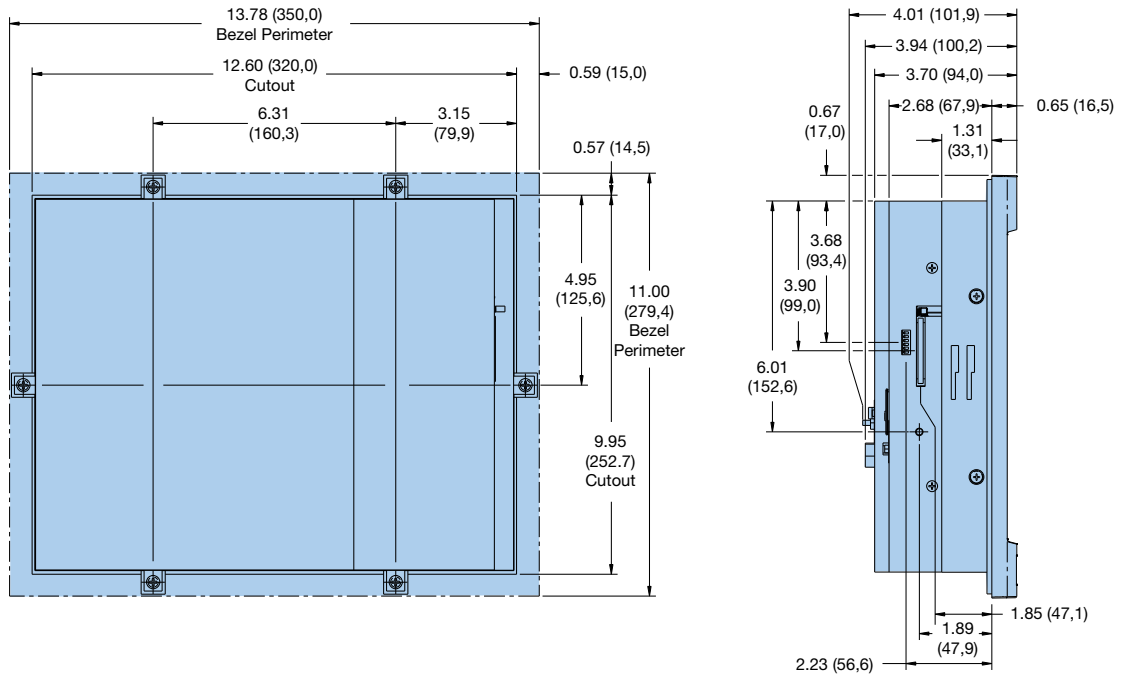


## EPX208

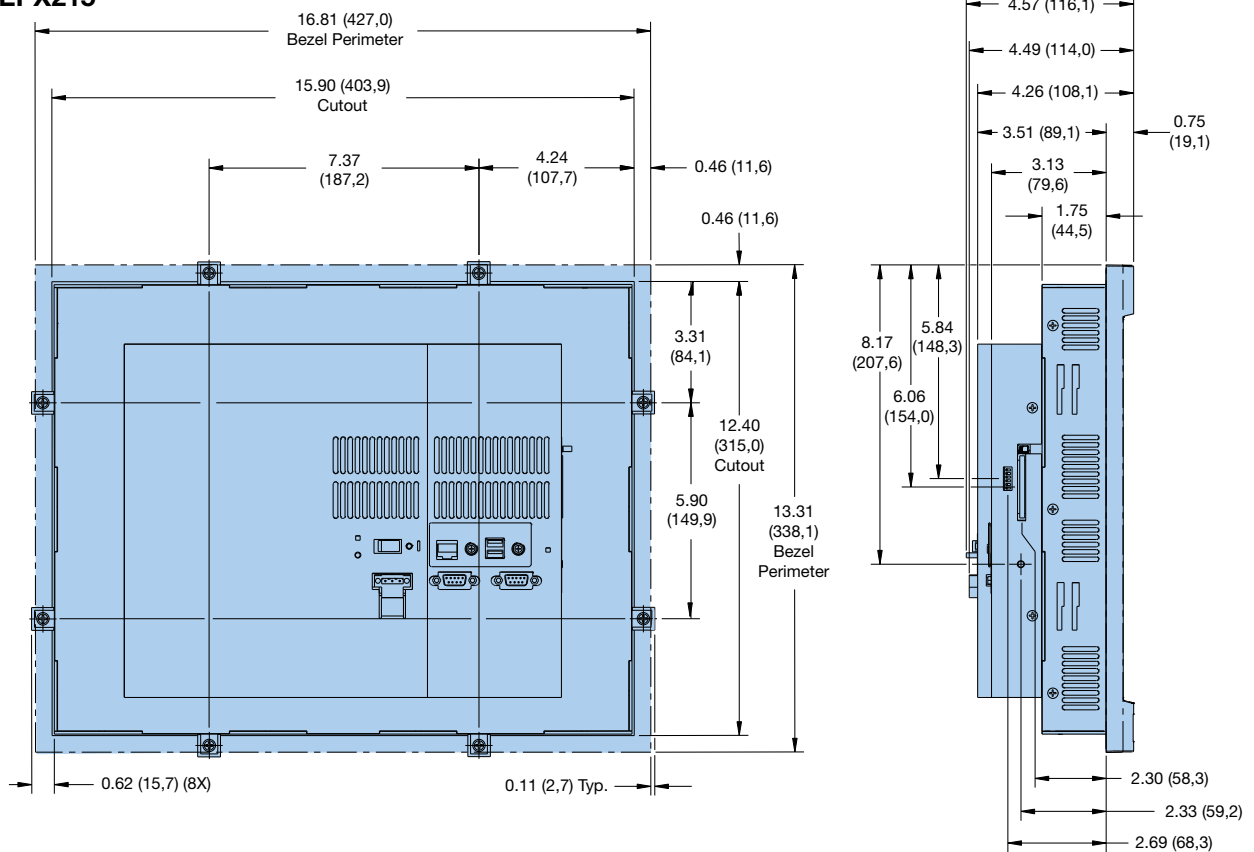


# Cutout Dimensions

## EPX210



## EPX215



ENGINEERING YOUR SUCCESS.