

CATALOG EXCERPTS



LEVEL MOUNT



ELASTOMER-SPRINGS



PHNEUMO-DEVICES



SCHWINGMETALL®

Effbe GmbH

Hanauer Landstraße 16
63628 Bad Soden-Salmuenster
Germany
Phone: +49 (0) 6056 78 74 00
Fax: +49 (0) 6056 78 79 66
Email: info@effbe.de
Internet: www.effbe.de

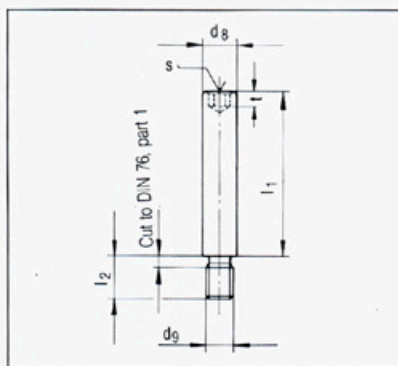
Product Range

Guide Bolts Spring Collars



**Table and Stock List of Guide Bolts
(DIN 9835, Form B)**

Nom. Ø d_8 h_{11}	6	8	10	13	16	20	25
d_9	M 4	M 6	M 8	M 10	M 12	M 16	M 20
l_2	6	9	15	15	18	25	30
S	3	4	5	6	8	10	14
t	2.5	3	4	5	6	8	10
Length	Stock Sizes (subject to changes)						
20	x	x	x				
25	x	x	x				
32	x	x	x	x	x	x	x
40		x	x	x	x	x	x
50		x	x	x	x	x	x
63			x	x	x	x	x
80				x	x	x	x
95				x	x	x	x
118					x	x	x
140					x	x	x
180							x



How to order

Example:

\varnothing 10 x Length 40 = B 10 x 40

How to order

Example:

\varnothing A 50

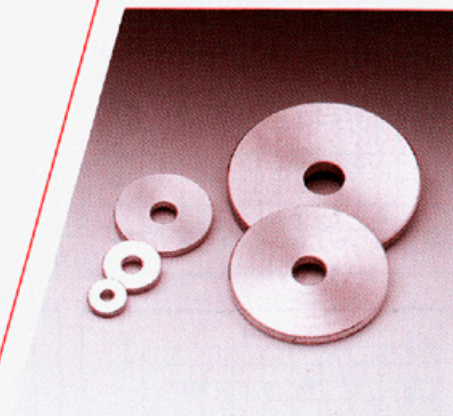
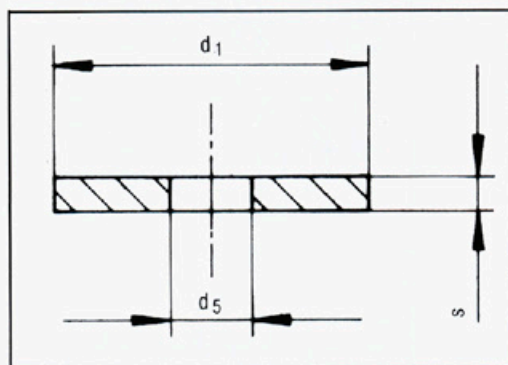


Table and Stock List - Spring Collars (DIN 9835, Form A)

Ref. No.	A 20	A 25	A 30	A 40	A 50	A 60	A 80	A 100	A 120	A 150
for Spring	Ø 16	Ø 20	Ø 25	Ø 32	Ø 40	Ø 50	Ø 63	Ø 80	Ø 100	Ø 125
d_1	20	25	30	40	50	60	80	100	120	150
d_5	6.5	8.5	10.5	13.5	13.5	16.5	16.5	20.5	20.5	26
s	4	4	5	5	5	6	6	8	8	8