

# NEMA 3R & NEMA 12 PRE-ENGINEERED PANELS

VARIABLE FREQUENCY DRIVE PANELS

Defined model configurations and popular options for quick deliveries



# VARIABLE FREQUENCY DRIVE PANELS



Three levels of pre-engineered panels with defined options allows for ease of ordering, quick delivery, simple installation and commissioning.

Base, Standard and Bypass models

The most common features are included

Other popular options can also be added



Base Model	Standard Model	Bypass Model
Features:	All Base Features PLUS:	All Standard features PLUS:
<ul style="list-style-type: none"> <li>- NEMA 3R enclosure</li> <li>- AC input line reactor</li> <li>- Hitachi L300P VFD</li> <li>- Thermostat-controlled exhaust fans</li> <li>- Filters for large &amp; small particles</li> <li>- Terminals for line input, motor leads, control I/O</li> </ul>	<ul style="list-style-type: none"> <li>- Input power disconnect</li> <li>- Input power fuses</li> <li>- Keypad mounted on door</li> <li>- 2nd inner door where keypad mounts</li> </ul>	<ul style="list-style-type: none"> <li>- 2 contactor bypass</li> <li>- Drive/Bypass mode switch</li> </ul>
<b>230 VOLT</b>	<b>230 VOLT</b>	<b>230 VOLT</b>
7.5 HP 230 V - L3F2007X	7.5 HP 230 V - L3T2007X	7.5 HP 230 V - L3Y2007X
10.0 HP 230 V - L3F2010X	10.0 HP 230 V - L3T2010X	10.0 HP 230 V - L3Y2010X
15.0 HP 230 V - L3F2015X	15.0 HP 230 V - L3T2015X	15.0 HP 230 V - L3Y2015X
20.0 HP 230 V - L3F2020X	20.0 HP 230 V - L3T2020X	20.0 HP 230 V - L3Y2020X
25.0 HP 230 V - L3F2025X	25.0 HP 230 V - L3T2025X	25.0 HP 230 V - L3Y2025X
30.0 HP 230 V - L3F2030X	30.0 HP 230 V - L3T2030X	30.0 HP 230 V - L3Y2030X
40.0 HP 230 V - L3F2040X	40.0 HP 230 V - L3T2040X	40.0 HP 230 V - L3Y2040X
50.0 HP 230 V - L3F2050X	50.0 HP 230 V - L3T2050X	50.0 HP 230 V - L3Y2050X
60.0 HP 230 V - L3F2060X	60.0 HP 230 V - L3T2060X	60.0 HP 230 V - L3Y2060X
75.0 HP 230 V - L3F2075X	75.0 HP 230 V - L3T2075X	75.0 HP 230 V - L3Y2075X
<b>460 VOLT</b>	<b>460 VOLT</b>	<b>460 VOLT</b>
7.5 HP 460 V - L3F4007X	7.5 HP 460 V - L3T4007X	7.5 HP 460 V - L3Y4007X
10.0 HP 460 V - L3F4010X	10.0 HP 460 V - L3T4010X	10.0 HP 460 V - L3Y4010X
15.0 HP 460 V - L3F4015X	15.0 HP 460 V - L3T4015X	15.0 HP 460 V - L3Y4015X
20.0 HP 460 V - L3F4020X	20.0 HP 460 V - L3T4020X	20.0 HP 460 V - L3Y4020X
25.0 HP 460 V - L3F4025X	25.0 HP 460 V - L3T4025X	25.0 HP 460 V - L3Y4025X
30.0 HP 460 V - L3F4030X	30.0 HP 460 V - L3T4030X	30.0 HP 460 V - L3Y4030X
40.0 HP 460 V - L3F4040X	40.0 HP 460 V - L3T4040X	40.0 HP 460 V - L3Y4040X
50.0 HP 460 V - L3F4050X	50.0 HP 460 V - L3T4050X	50.0 HP 460 V - L3Y4050X
60.0 HP 460 V - L3F4060X	60.0 HP 460 V - L3T4060X	60.0 HP 460 V - L3Y4060X
75.0 HP 460 V - L3F4075X	75.0 HP 460 V - L3T4075X	75.0 HP 460 V - L3Y4075X
100.0 HP 460 V - L3F4100X	100.0 HP 460 V - L3T4100X	100.0 HP 460 V - L3Y4100X
125.0 HP 460 V - L3F4125X	125.0 HP 460 V - L3T4125X	125.0 HP 460 V - L3Y4125X
150.0 HP 460 V - L3F4150X	150.0 HP 460 V - L3T4150X	150.0 HP 460 V - L3Y4150X

Notes: 1) Available to 600 hp on a quotation basis 2) Part numbers shown above are for models with NO options; for available options, see below.

**OPTIONS (Contact Your Hitachi Distributor for Pricing)**

- Transient surge suppressor (lightning strikes) (W)
- Output reactor (R)
- Manual disconnect (bypass version only) (M)
- Local-Off-Remote switch (not available on BASE models) (E)
- NO OPTIONS (X)
- Leg mounts (A)
- Pole mounts (P)
- Wintertime space heater (C)
- NEMA 12 (J)

**HOW TO ORDER**

Example:

**L3 T 4 015 CPW** \_ \_ \_

↑ ↑ ↑ ↑ ↑      1 to 999 - special versions; blank = no specials

Options (in alpha order, use 'X' for NO options)

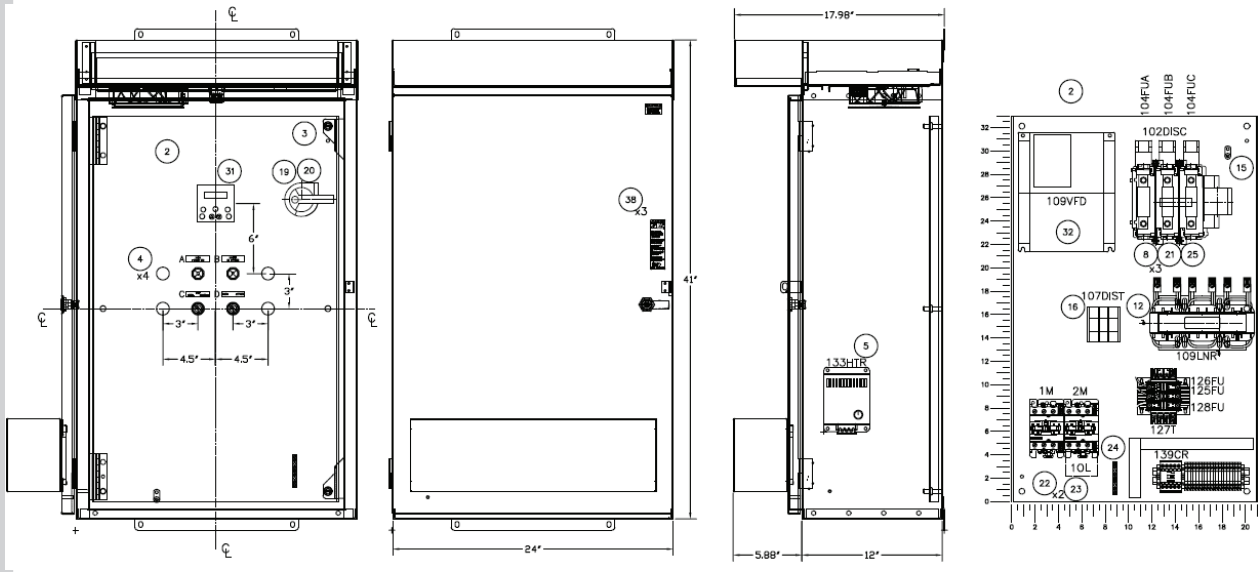
hp (007 for 7.5 hp, 015 for 15 hp, etc.- always 3 characters)

2 = 230 V class; 4 = 460 V class

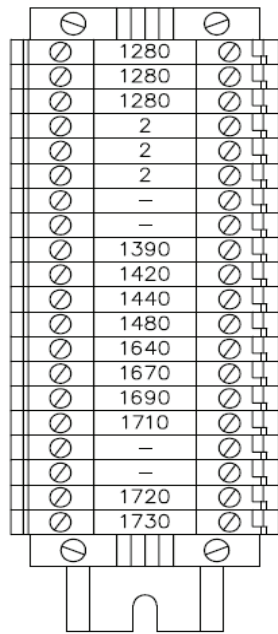
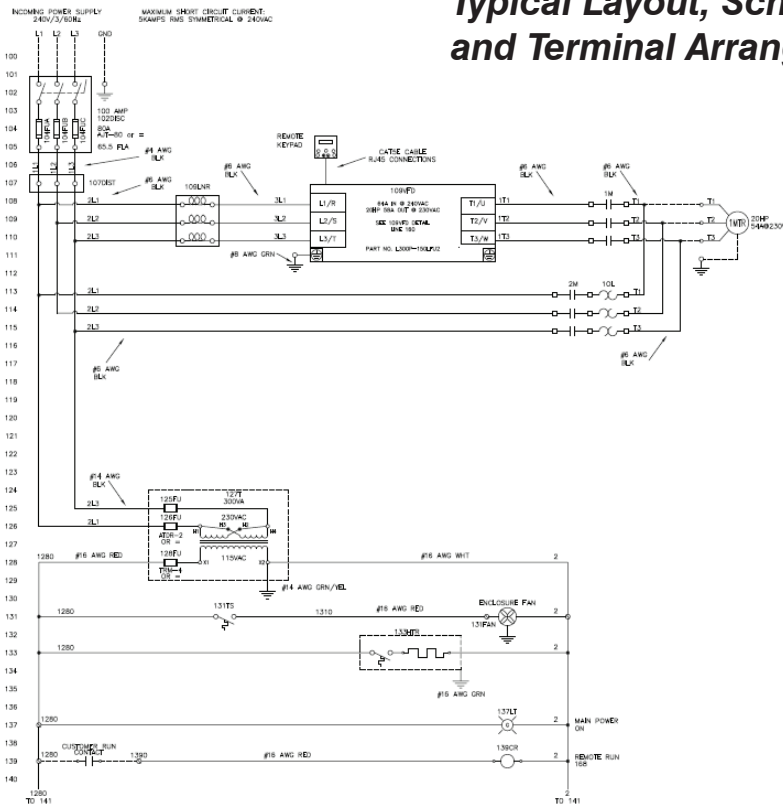
F = Base; T = Standard; Y = Bypass

L3 = L300P; S7 = SJ700 (price adder)





**Typical Layout, Schematic and Terminal Arrangement**



**For more information, contact:**

Hitachi America, Ltd.  
 Industrial Sales Division, 50 Prospect Avenue, Tarrytown, NY 10591  
 262.787.4975 [inverterinfo@hal.hitachi.com](mailto:inverterinfo@hal.hitachi.com)  
[www.hitachi-america.us/inverters](http://www.hitachi-america.us/inverters)