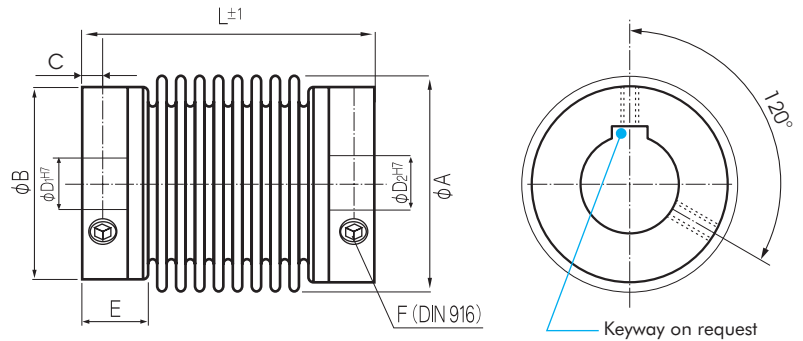


Metal Bellows Coupling



Order Code: KB 1 / 45 - 40 - 10 - 18 - S

Type / Size Length L Ø D1 (H7) Ø D2 (H7) Options

	Torque T _{KN} (Nm)	Dimensions (mm)							Technical Ratings							
		L	Ø A	D1/D2	Ø B	C	E	F	Mass (g)	Moment of Inertia J (g cm ²)	Spring Stiffness			Misalignment		
		Length (±1)	Outer Ø	Bore Sizes (H7) min ~ max	Hub Ø		Hub- Length	Screw (DIN 916) T _A (Nm)			torsional C _T (Nm/rad)	radial C _R (N/mm)	axial C _A (N/mm)	radial ΔK _r (mm)	axial ΔK _a (mm)	angular ΔK _w (°)
KB1/1	0.1	23	10	1-4 3*	10	2	6	M3	3	0.45	65	10	14	0.12	0.2	1.2
								0.5								
KB1/5	0.5	19	15	3-8 6*	13.5	2	6	M3	4	1.3	260	43	13	0.1	0.2	1
		23						4.5	1.5	200	18	10	0.15	0.3	1.5	
		27						5	1.6	160	9	8	0.2	0.4	2	
KB1/10	1	21	15	3-8 6*	13.5	2	6	M3	5.5	1.8	510	74	27	0.1	0.2	1
		25						6	2	380	31	20	0.15	0.3	1.5	
		29						7	2.3	310	16	16	0.2	0.4	2	
KB1/15	1.5	26	19	3-12 6*	19	3	8	M4	10	6	750	59	15	0.1	0.3	1.5
		30						1.5	12	7.4	700	20	9	0.15	0.4	2
KB1/20	2	22	24	3-14 6/10*	21.5	3	6	M4	11	9.2	1500	67	12	0.15	0.3	1.5
		28						13	12.6	1300	21	11	0.2	0.4	1.5	
		32						1.5	15	13.5	1050	11	9	0.25	0.5	2
KB1/45	4.5	40	32	6-18 10*	29	4	12	M6	44	68	6500	168	32	0.1	0.3	1.5
		48						3	50	79	4200	41	20	0.2	0.5	2
KB1/100	10	45	40	6-24 10*	36	4	12	M6	60	150	8100	120	27	0.15	0.4	1.5
		55						3	79	210	6800	29	17	0.3	0.6	2

*Standard Bore Sizes (H7)

- ⊙ Speed: max. 15000 min⁻¹
- ⊙ Hub: Bore Tolerance: H7 Keyway acc. DIN 6885 optional
- ⊙ Material: Bellows - Stainless Steel
Hub - Aluminium (also available in Stainless Steel)
- ⊙ Temperature Range: -30° ~ 120° C