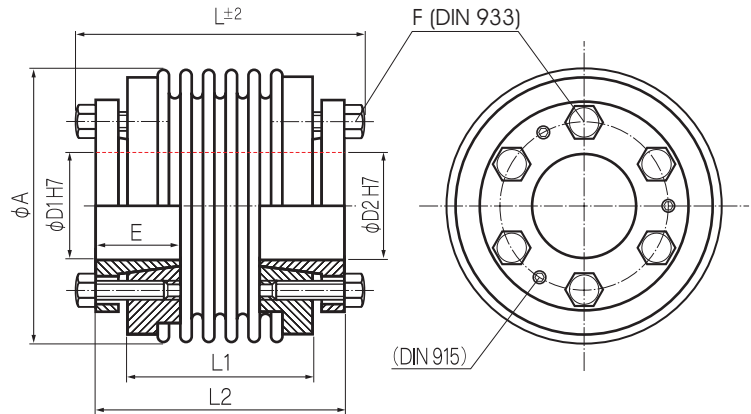


### Metal Bellows Coupling



**Order Code: KB 5 / 60 - 73 - 20 - 25 - S**

Type / Size      Length      Ø D1 (H7)      Ø D2 (H7)      Options

	Torque $T_{KN}$ (Nm)	Dimensions (mm)							Technical Ratings								
		L	Ø A	D1/D2	E	L1	L2	F	Mass (kg)	Moment of Inertia J (kg m <sup>2</sup> )	Spring Stiffness			Misalignment			
		Length (±2)	Outer Ø	Bore Size (H7)	Hub Length			Screw (DIN 933) T <sub>A</sub> (Nm)			torsional C <sub>T</sub> (Nm/rad)	radial C <sub>R</sub> (N/mm)	axial C <sub>A</sub> (N/mm)	radial ΔK <sub>r</sub> (mm)	axial ΔK <sub>a</sub> (mm)	angular ΔK <sub>w</sub> (°)	
<b>KB5/18</b>	18	63	47	10-18	20	38	56	4xM5	0.36	0.075	20	205	50	0.2	1	1.5	
		71				46	64	4.5	0.37	0.078	15	82	36	0.25	1	2	
<b>KB5/30</b>	30	53	56	12-20	20	30	46	6xM5	0.4	0.11	38	720	50	0.15	1	1.5	
		61				38	54	4.5	0.42	0.12	28	225	25	0.25	1	2	
<b>KB5/60</b>	60	62	66	15-25	25	36	54	6xM6	0.77	0.32	75	1150	90	0.15	1	1.5	
		73				47	65	8.5	0.79	0.34	50	340	50	0.25	1	2	
<b>KB5/80</b>	80	78	82	20-35	30	50	70	6xM6	1.34	1.05	128	1200	80	0.2	1	1.5	
		90				62	82	10	1.39	1.11	75	400	50	0.25	1	2	
<b>KB5/150</b>	150	78	82	20-35	30	50	70	6xM6	1.36	1.15	155	2020	145	0.2	1	1.5	
		90				62	82	15	1.41	1.21	105	595	85	0.25	1	2	
<b>KB5/200</b>	200	78	90	20-40	30	50	70	6xM6	1.59	1.39	175	2500	145	0.2	1	1.5	
		91				63	83	15	1.66	1.49	120	460	82	0.25	1	2	
<b>KB5/300</b>	300	90	110	25-50	37	56	80	6xM8	3.26	4.66	502	6300	280	0.2	1	1.5	
		102				67	91	17	3.32	4.81	285	1400	145	0.25	1	2	
<b>KB5/500</b>	500	101	122	35-55	40	66	90	6xM8	3.78	6.11	690	7790	100	0.2	1	1.5	
		112				77	101	25	3.87	6.38	320	970	85	0.25	1	2	
<b>KB5/800</b>	800	170	157	50-70	60	110	150	6xM16 45	9.05	24.05	760	500	185	0.2	1	1.8	
<b>KB5/1400</b>	1400	170	157	50-70	60	110	150	6xM16 80	9.15	24.2	1270	700	275	0.2	1	1.8	
<b>KB5/3000</b>	3000	170	157	55-75	60	110	150	6xM16 115	9.43	25.7	2810	2945	305	0.2	1	1.5	
<b>KB5/5000</b>	5000	206	208	60-90	65	146	186	6xM16 210	19.9	96.7	4810	4915	505	0.2	1	1.5	

Material: Bellows - Stainless Steel      Hub - Steel (also available in Stainless Steel)

Temperature Range: -30° ~ 120° C