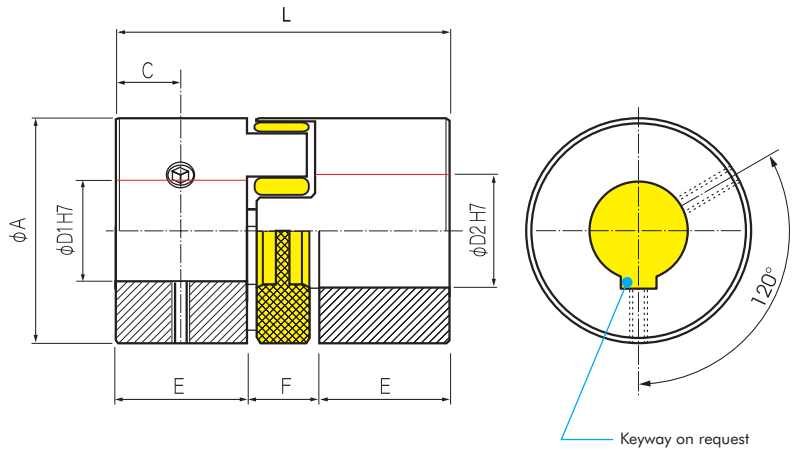


Servo Insert Coupling



Order Code: KBE 1 - 14 - 10H7 - 12H7 - S
 Type Size Bore D1(H7) Bore D2(H7) Options

	Dimensions (mm)							Technical Ratings			
	ϕA	L	$\phi D1-D2$	E	F	C	F	Maximum Speed	Mass (per Hub)	Moment of Inertia J	Torque
	Outer ϕ	Length	Bore Sizes (H7) min ~ max				Screw (DIN 916) T _A (Nm)	rpm. (1/min)	(g)	(kg mm ²)	(Nm)
KBE 1 - 7	14	22	4 - 7	7	8	3.5	M3 1.3	34000	3	0.2	1.2
KBE 1 - 9	20	30	6 - 9	10	10	5	M3 1.3	24000	9	1.1	3
KBE 1 - 14	30	35	6 - 16	11	13	5	M4 3	16000	20	5.6	7.5
KBE 1 - 19	40	66	10 - 24	25	16	10	M5 6	12000	26	36	10
KBE 1 - 24	55	78	16 - 28	30	18	10	M5 6	8500	132	150	35
KBE 1 - 28	65	90	20 - 38	35	20	15	M6 11	7200	253	330	160
KBE 1 - 38	80	114	20 - 45	45	24	15	M8 25	6000	455	960	325
KBE 1 - 42	95	126	20 - 55	50	26	20	M8 25	4800	1850	4900	450
KBE 1 - 48	105	140	20 - 60	56	28	20	M8 25	4300	2520	8300	525
KBE 1 - 55	120	160	25 - 70	65	30	22	M10 45	3900	3800	15000	685
KBE 1 - 65	135	185	25 - 75	75	35	22	M10 45	3500	4500	25000	940

Material: Insert (KBE1-7; KBE1-9): Polyurethan 92 Sh A (yellow)
 Insert (KBE1-14 bis KBE1-65): Polyurethan 98 Sh A (red)
 Hub: Aluminium