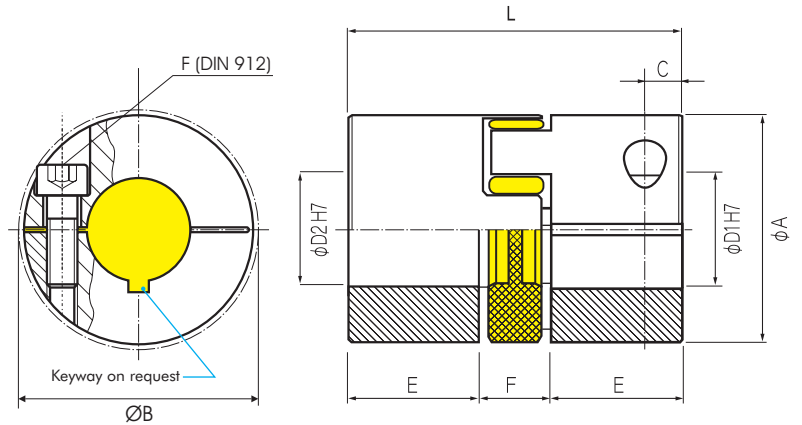


Servo Insert Coupling



Oder Code: **KBE 2 - 14 - 10H7 - 12H7 - S**
 Type Size Ø D1(H7) Ø D2(H7) Options

	Dimensions (mm)							Technical Ratings				
	ØA	L	Ø D1-D2	E	F	C	B	F	Maximum Speed	Mass (per Hub)	Moment of Inertia J	Torque
		Length	Bore Sizes (H7) min ~ max				Max. Ø	Screw (DIN 912) T _A (Nm)	rpm. (1/min)	(g)	(kg cm ²)	(Nm)
KBE 2 - 7	14	22	4 - 7	7	8	3.5	15	M2 0.37	27000	3	0.2	1.2
KBE 2 - 9	20	30	4 - 9	10	10	5	23.4	M2.5 0.75	19000	9	1.1	3
KBE 2 - 14	30	35	4 - 14	11	13	5	32.2	M3 1.4	13000	20	5.6	12.5
KBE 2 - 19	40	66	10 - 20	25	16	12	45.7	M6 11	10000	26	36	17

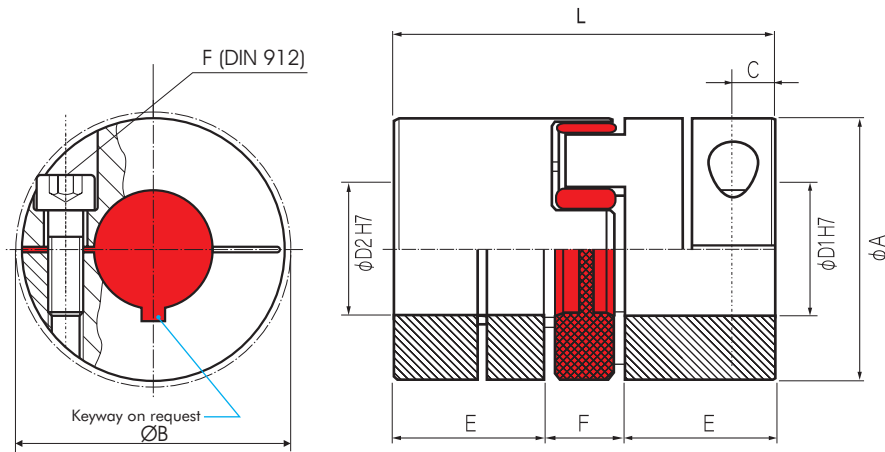
Transmissible Torque (Nm) of the Hubs

	Ø Bore (mm)														
	3	4	5	6	7	8	9	10	11	12	14	15	16	19	20
KBE 2 - 7	0.8	0.9	0.95	1	1.1										
KBE 2 - 9		2.1	2.2	2.3	2.4	2.5	2.6	2.7	2.8						
KBE 2 - 14		3.4	3.5	3.6	3.7	3.9	4	4.1	4.2	4.3	4.6	4.7	4.8		
KBE 2 - 19								27	27	29	30	31	32	32	34

Hub: Bore Tolerance: H7 Keyway acc. DIN 6885 optional

Material: Insert - Polyurethan
Hub - Aluminium

Hardness: up to Size 9: 92 Sh A (yellow)
from Size 14: 98 Sh A (red)



Order Code: KBE 2 - 38 - 20H7 - 40H7 - S
 Type Size Ø D1(H7) Ø D2(H7) Options

	Dimensions (mm)								Technical Ratings			
	ØA	L	Ø D1-D2	E	F	C	B	F	Maximum Speed	Mass (per Hub)	Moment of Inertia J	Torque
		Total Length	Bore Sizes (H7) min ~ max				Max. Ø	Screw (DIN 912) T _A (Nm)	rpm. (1/min)	(g)	(kg cm ²)	(Nm)
KBE 2 - 24	55	78	15 - 28	30	18	14	56.4	M6 11	27000	0.13	150	60
KBE 2 - 28	65	90	19 - 35	35	20	15	72.6	M8 25	19000	0.25	330	160
KBE 2 - 38	80	114	20 - 45	45	24	20	83.3	M8 25	13000	0.45	960	325
KBE 2 - 42	95	126	28 - 45	50	26	20	88.8	M8 25	10000	1.9	4900	450
KBE 2 - 48	105	140	25 - 50	56	28	22	90.6	M10 49	10000	2.5	8300	525

Transmissible Torque (Nm) of the Hubs

	Ø Bore (mm)																
	15	16	19	20	22	24	25	28	30	32	35	38	40	42	45	48	50
KBE 2 - 24	39	43	44	46	47	49	50	52									
KBE 2 - 28			91	93.5	96	98	100	104	107	110	113						
KBE 2 - 38				107	110	112	114	118	121	123	127	131	134	137	141		
KBE 2 - 42								250	255	260	267	279	281	288	298		
KBE 2 - 48										445	457	470	472	508	520	534	543

Hub: Bore Tolerance: H7 Keyway acc. DIN 6885 optional

Material: Insert - Polyurethan
 Hub - Aluminium

Shorehärte: 98 Sh A (red)