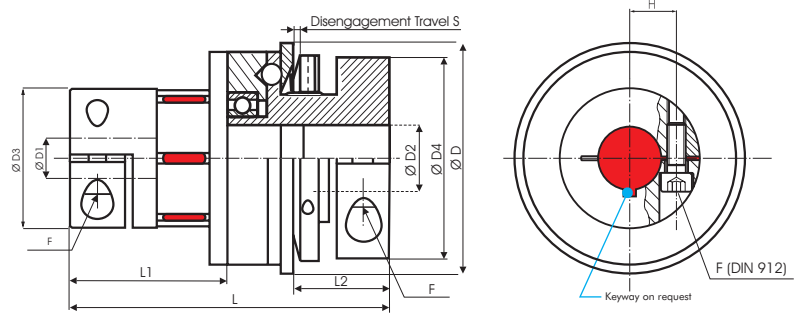


Torque Limiting



Oder Code: KBK/EK - 24 - 16H7 - 14H7 - 20Nm - CoderD - 2

Type - Size

Bore D1(H7)

Bore D2(H7)

Disengagement Torque

CoderD - 2

Overload Torque Range

C = Single Position, D = Multi Position Engagement

KBK/EK-x	Dimensions (mm)											Technical Ratings								
	Ø D	L	Ø D1	Ø D2	Ø D3	Ø D4	H	F	L1	L2	S	Maximum Speed rpm. (1/min)	Mass (kg)	Moment of Inertia J (kg cm ²)	Torque T _{KN} (Nm)	Overload Torque adjustable		Misalignment		
	Outer Ø	Length	Bore (H7) min ~ max	Bore (H7) min ~ max				Screw (DIN 912) T _A (Nm)								1 T _{KN} (Nm)	2 T _{KN} (Nm)	radial ΔK _r (mm)	axial ΔK _a (mm)	angular ΔK _w (°)
-14	49	65	4-14	6-19	30	40	15.5	M4 5.1	16	20	0.7	11690	0.3	1.4	12.5	3-7	5-10	0.06	1.2	0.9
-19	64	100	10-20	10-20	40	56	24.5	M6 15	25	22	1.2	8950	0.5	3	17	5-15	10-19	0.06	1.2	0.9
-24	79	115	15-28	14-23	55	66	29	M8 36	30	28	1.2	7630	0.7	5.4	60	12-35	20-60	0.08	1.3	0.9
-28	94	142	19-35	20-35	65	82	33.5	M10 72	33	42	2	6030	1.4	9.7	160	50-130	65-150	0.1	1.4	0.9
-38	119	160	20-45	32-40	80	110	38	M12 125	38	38	2	4980	2.2	23	325	60-200	100-300	0.11	1.5	0.9
-42	129	195	28-45	35-50	95	122	42	M12 125	42	56	2	4440	4.6	80	450	80-250	200-500	0.12	1.8	0.9

Material: Insert: Polyurethan 98 Sh A red
Hub (KBK/EK-14, KBK/EK-19, KBK/EK-24, KBK/EK-28): Aluminium
Hub (KBK/EK-38, KBK/EK-42): Steel

Keyway acc. DIN 6885 optional

Temperature Range: -30°C ~ 90°C

Form of Hubs (KBK/EK-14, KBK/EK-19): Single Slit
Form of Hubs (KBK/EK-24, KBK/EK-28, KBK/EK-38, KBK/EK-42): Double Slit