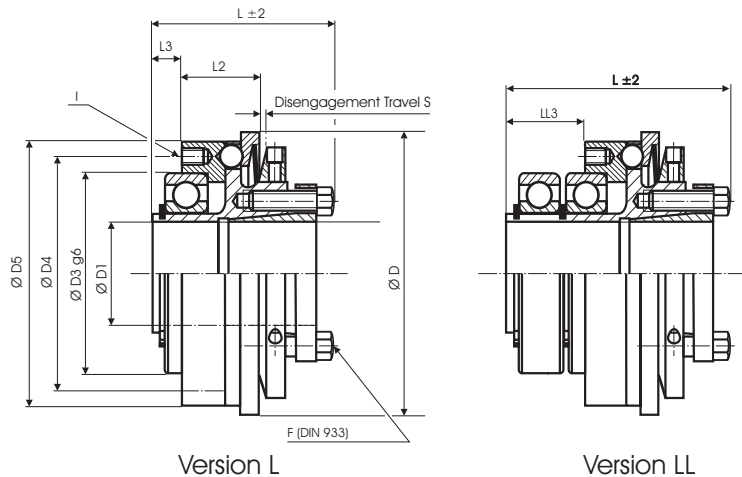


Safety Coupling



Order Code: KBK/L - 60 - 20H7 - 20Nm - C oder D - 2

Type - Size

Bore D1 (H7)

Disengagement Torque

Overload Torque Range

Single Position = C

D = Multi Position Engagement

KBK/L-x KBK/LL-x	Dimensions (mm)											Technical Ratings				
	Ø D	Ø D1	Ø D3	Ø D4	Ø D5	L · LL	L2	L3 · LL3	S	I	F	Overload Torque adjustable		Maximum Speed rpm. (1/min)	Mass (kg)	Moment of Inertia J (kg cm ²)
	Outer	Bore Size (H7) min ~ max				Length KBK/L KBK/LL		KBK/L KBK/LL	6x	Screw (DIN 933) T _A (Nm)	1 TKN (Nm)	2 TKN (Nm)				
-10	49	6-16	37	42	47	36	15	5	0.7	M3	M3	2-5	5-10	12000	0.25	1
						46		15			4					
-30	64	8-20	47	53	60	43	18	6	1.2	M4	M5	5-15	10-30	9400	0.5	3
						60		20			6					
-60	79	12-25	62	69	75	58	25	8	1.2	M5	M6	13-35	20-65	7800	1	6
						75		26			8.5					
-80	94	15-35	68	80	90	60	26	10	2	M6	M6	15-40	30-80	6400	1.6	17
						76		27			14					
-150	94	15-35	68	80	90	60	26	10	2	M6	M6	50-130	65-150	5500	1.7	17
						76		27			14					
-200	109	20-40	80	90	105	66	30	10	2	M6	M6	30-90	80-200	5500	2.6	27
						85		28			14					
-300	119	30-46	90	102	115	75	32	10	2	M8	M8	60-200	100-300	5000	3.6	39
						95		31			20					
-500	129	35-50	100	112	125	75	32	10	2	M8	M8	80-250	200-500	4500	4.4	80
						95		31			26					
-800	169	40-60	110	125	165	110	50	15	2	M12	M16	260-600	500-900	3500	12	278
						133		38			45					
-1400	169	40-60	110	125	165	110	50	15	2	M12	M16	450-900	800-1400	3500	12	278
						113		38			80					
-1600	194	60-90	150	168	190	125	60	19	2	M12	M14	500-1000	900-1600	3000	16	325
						133		47			100					

Keyway acc. DIN 6885 optional

Temperature Range: -30° ~ 120° C