

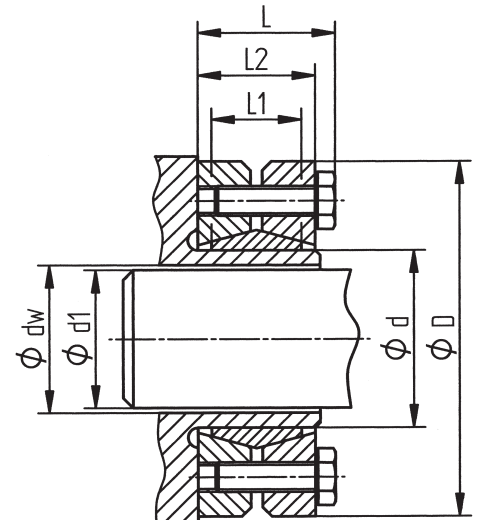
Schrumpfscheibe Shrink Disc

Die empfohlenen Bearbeitungstoleranzen für die Druckflächen sind:

Welle d h 9

Recommended machining tolerances:

Shaft d h 9



BESTELLBEISPIEL: ORDER CODE:

Bei einer Hohlwelle mit $\varnothing 36$ mm und max. Drehmoment 770 Nm
For a hollow shaft with $d=36$ mm and a transmissible torque value lower than or equal to 440 Nm

KBS 19 - 36 x 72

Hohlwelle Hollow shaft	Welle Shaft	Außen Outer	Dreh- moment Torque	Abmessungen Dimensions				Flächen- druck Surface pressure	Spannschrauben Screws			Gewicht Mass
				L	L 1	L 2	Passungs- spiel tolerance max. mm		Welle Shaft Pw N/mm ²	n St.	Size DIN 933	
$\varnothing d$ mm	$\varnothing dw$ mm	$\varnothing D$ mm	T Nm	L mm	L 1 mm	L 2 mm						
24	19	50	220	23	14	20	0.017	189	6	M5x18	4	0.2
24	20	50	280	23	14	20	0.017	209	6	M5x18	4	0.2
24	21	50	330	23	14	20	0.017	228	6	M5x18	4	0.2
30	24	60	350	25	16	22	0.017	159	7	M5x18	4	0.3
30	25	60	400	25	16	22	0.017	172	7	M5x18	4	0.3
30	26	60	470	25	16	22	0.017	184	7	M5x18	4	0.3
36	28	72	770	27.5	18	23.5	0.032	232	8	M6x20	12	0.4
36	30	72	960	27.5	18	23.5	0.032	250	8	M6x20	12	0.4
36	31	72	980	27.5	18	23.5	0.032	240	8	M6x20	12	0.4
44	32	80	1200	29.5	20	25.5	0.032	225	7	M6x20	12	0.6
44	35	80	1400	29.5	20	25.5	0.032	235	7	M6x20	12	0.6
44	36	80	1500	29.5	20	25.5	0.032	244	7	M6x20	12	0.6
50	38	90	1500	31.5	22	27.5	0.032	204	8	M6x25	12	0.8
50	40	90	1800	31.5	22	27.5	0.032	219	8	M6x25	12	0.8
50	42	90	2100	31.5	22	27.5	0.032	232	8	M6x25	12	0.8
55	42	100	1700	34.5	23	30.5	0.032	176	8	M6x25	12	1.1
55	45	100	2100	34.5	23	30.5	0.032	193	8	M6x25	12	1.1
55	48	100	2600	34.5	23	30.5	0.032	210	8	M6x25	12	1.1
62	48	110	2700	34.5	23	30.5	0.048	213	10	M6x25	12	1.3
62	50	110	3000	34.5	23	30.5	0.048	222	10	M6x25	12	1.3
62	52	110	3200	34.5	23	30.5	0.048	218	10	M6x25	12	1.3
68	50	115	2500	34.5	23	30.5	0.048	184	10	M6x25	12	1.4
68	55	115	3100	34.5	23	30.5	0.048	188	10	M6x25	12	1.4
68	60	115	4100	34.5	23	30.5	0.048	212	10	M6x25	12	1.4
75	55	138	3500	37.8	25	32.5	0.048	199	7	M8x30	30	2.3
75	60	138	4700	37.8	25	32.5	0.048	221	7	M8x30	30	2.3
75	65	138	6000	37.8	25	32.5	0.048	241	7	M8x30	30	2.3
80	60	145	4100	37.8	25	32.5	0.048	192	7	M8x30	30	2.6
80	65	145	5200	37.8	25	32.5	0.048	211	7	M8x30	30	2.6
80	70	145	6600	37.8	25	32.5	0.048	228	7	M8x30	30	2.6
90	65	155	6200	44.3	30	39	0.048	206	10	M8x35	30	3.4
90	70	155	7700	44.3	30	39	0.048	222	10	M8x35	30	3.4
90	75	155	9400	44.3	30	39	0.048	236	10	M8x35	30	3.4
100	70	170	7600	49.3	34	44	0.048	194	12	M8x35	30	4.6
100	75	170	9300	49.3	34	44	0.048	207	12	M8x35	30	4.6
100	80	170	11300	49.3	34	44	0.048	220	12	M8x35	30	4.6
110	75	185	9100	56.4	39	50	0.048	176	9	M10x40	59	6.0
110	80	185	11000	56.4	39	50	0.048	188	9	M10x40	59	6.0
110	85	185	12200	56.4	39	50	0.048	183	9	M10x40	59	6.0
125	85	215	13300	60.4	42	54	0.069	186	12	M10x40	59	8.3
125	90	215	15800	60.4	42	54	0.069	198	12	M10x40	59	8.3
125	95	215	18600	60.4	42	54	0.069	209	12	M10x40	59	8.3