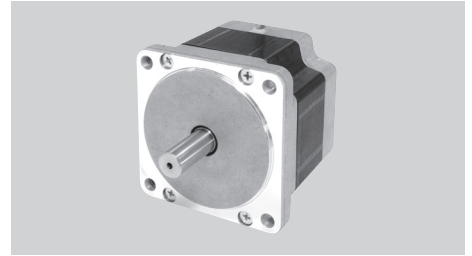


34HC SERIES 1.2°

Key Features

- Very Low Noise
- Very Smooth Movement
- Low Vibration



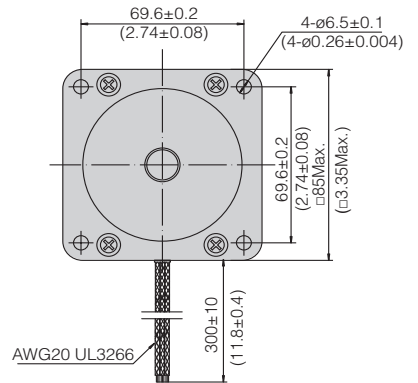
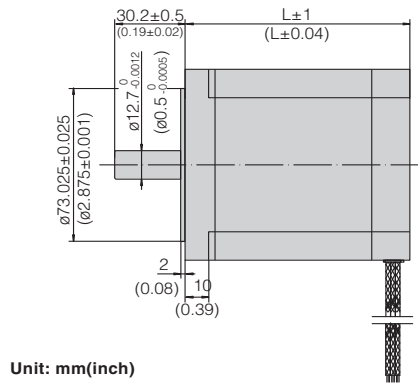
General Specifications

Series & Length	Model Number	Holding Torque		Rated Current	Resistance per Phase	Inductance per Phase	Detent Torque		Rotor Inertia	
		mNm	oz-in	A	ohm	mH	mNm	oz-in	g.cm ²	oz-in ²
34HC0 66.5 mm (2.62 in.)	34HC0301	2200	311.8	3	1.8	11.5	100	14.16	1100	6.05
34HC1 96 mm (3.78 in.)	34HC1301	4800	680.3	2	4.6	37	150	21.25	1850	10.17
34HC2 125.5 mm (4.94 in.)	34HC2301	6600	935.4	5.2	1.2	10.5	200	28.33	2750	15.12

- Wiring Connection, Lead Wires, Schematic Diagrams & Stepping Sequence.....Page 62 - 64

Mechanical Dimension

Series	L	Mass
	mm (in.)	kg (lb.)
34HC0	66.5 (2.62)	1.6 (3.53)
34HC1	96 (3.78)	2.7 (5.95)
34HC2	125.5 (4.94)	3.8 (8.38)

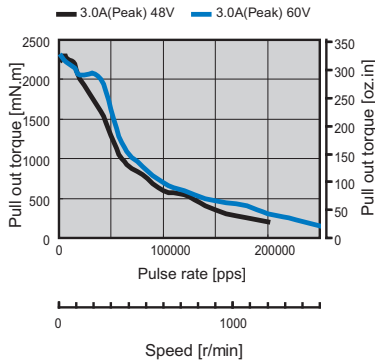


Unit: mm(inch)

Dynamic Torque Curves

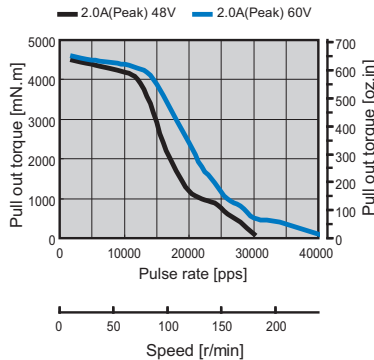
34HC0301

Conditions: 3-Phase Constant Current Driver
Driver: Moons' MS3ST10
Mode: 10000 Step/Rev



34HC1301

Conditions: 3-Phase Constant Current Driver
Driver: Moons' MS3ST10
Mode: 10000 Step/Rev



34HC2301

Conditions: 3-Phase Constant Current Driver
Driver: Moons' MS3ST10
Mode: 10000 Step/Rev

