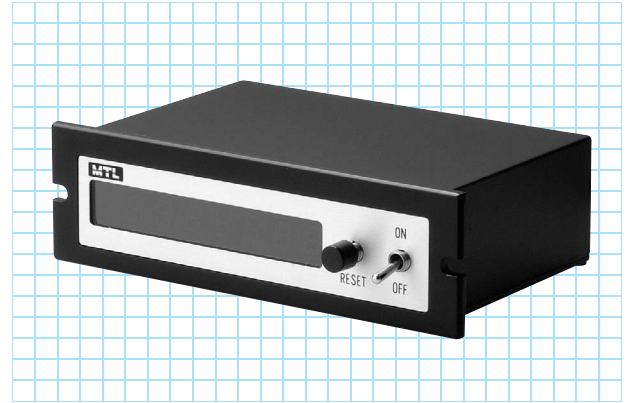
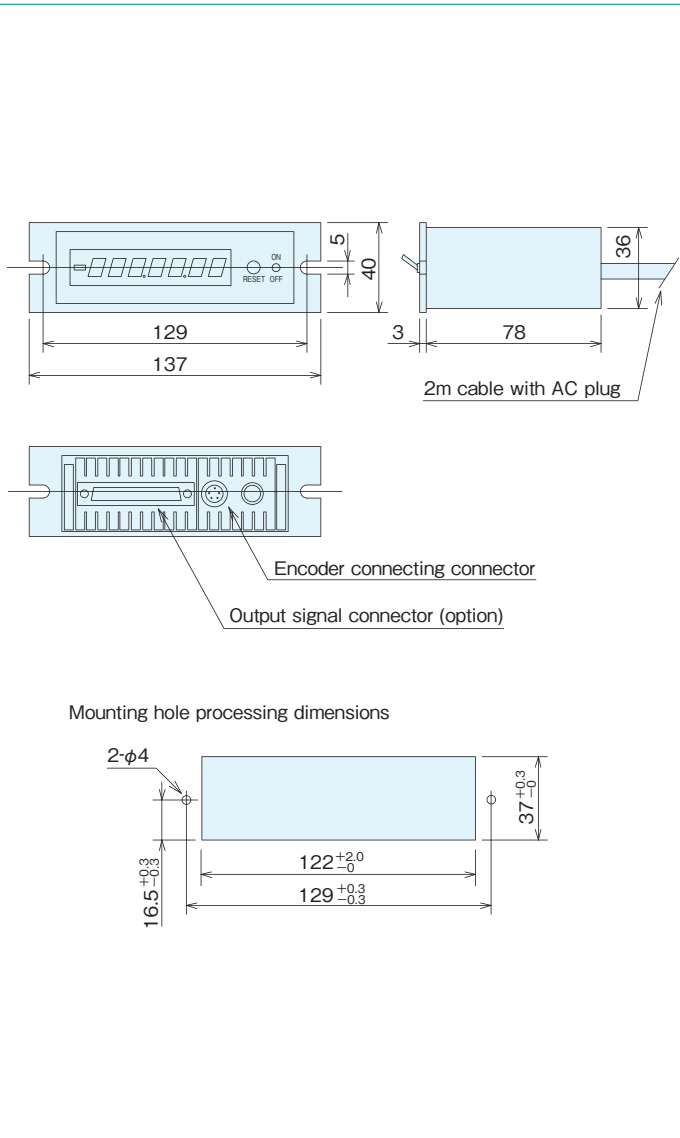


DC series

[Measuring Angle/Measuring Length]



Outside dimensions



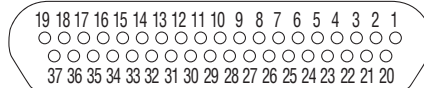
Counter specifications

Item	Type name	DC-※ ×× ** ○ △ □					
		①	②	③	④	⑤	⑥
		① Count mode	② Divider/multiplier	③ Display Units	④ BCD output	⑤ Z Reset	⑥ No. decimal places
Count mode (※)	7:Angle	6:Decimal					
Indicating function	With (-) indication, reversible						
Indicating range	-359.59.59~0 ~359.59.59	-9999.999~0 ~9999.999					
Display Units (**)	S1:1sec, S10:10sec, S15:15sec, S30:30sec, M1:1min, M5:5min, M10:10min, D1:1°						
Display unit	7 segment red LED (7.6mm high)						
Counter input signal	2 square wave inputs with 90° phase difference from encoder Input signal H: 4.0V to 5.0V, L: 0 to 0.5V						
Response frequency	500kHz or less (BCD output response speed 1kHz)						
Frequency divider/multiplier (xx)	×Q:1/4, ×H:1/2, ×1:1, ×2:2, ×4:4						
Power supply	AC 100V±10V 50/60Hz						
Encoder supply	DC5V 100mA/DC12V 150mA (option)						
Working ambient temperature/humidity	0°C~+60°C 95%RH or less no dewing						
Cable	2m cable with AC plug						
Mass	500g or less (excluding cable)						

※BCD external output and Z reset are optional

Option

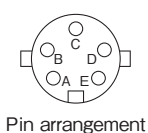
●BCD parallel output (output IC 74HC573)



Terminal No.	Signal name	Terminal No.	Signal name	Terminal No.	Signal name
1	2 ⁰ (A)×10 ⁰	14	2 ² (C)×10 ⁶	27	2 ³ (D)×10 ³
2	2 ² (C)×10 ⁰	15	NC	28	2 ¹ (B)×10 ⁴
3	2 ⁰ (A)×10 ¹	16	NC	29	2 ³ (D)×10 ⁴
4	2 ² (C)×10 ¹	17	External latch input	30	2 ¹ (B)×10 ⁵
5	2 ⁰ (A)×10 ²	18	External reset input	31	2 ³ (D)×10 ⁵
6	2 ² (C)×10 ²	19	GND	32	2 ¹ (B)×10 ⁶
7	2 ⁰ (A)×10 ³	20	2 ¹ (B)×10 ⁰	33	2 ³ (D)×10 ⁶
8	2 ² (C)×10 ³	21	2 ³ (D)×10 ⁰	34	NC
9	2 ⁰ (A)×10 ⁴	22	2 ¹ (B)×10 ¹	35	Take-in prohibiting signal
10	2 ² (C)×10 ⁴	23	2 ³ (D)×10 ¹	36	SIGN
11	2 ⁰ (A)×10 ⁵	24	2 ¹ (B)×10 ²	37	GND
12	2 ² (C)×10 ⁵	25	2 ³ (D)×10 ²		
13	2 ⁰ (A)×10 ⁶	26	2 ¹ (B)×10 ³		

Output signal connector (Japan Aviation Electronics Industry: DC-37SAF-N)
Attached product (Japan Aviation Electronics Industry: DASP-JP37P)

Input signal connector (Tajimi Electronics: R05-R5M) cord side: R05-PB5F



A:5V
B:A phase
C:B phase
D:GND
E:Z phase
RESET
Shield) Option

