



17-Bit Absolute Encoder

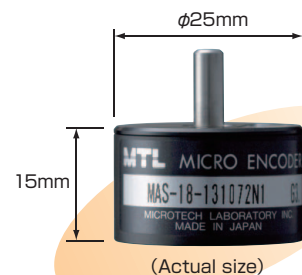


MAS-18-131072N1



17-Bit Absolute Encoder MAS-18-131072N1

- Outside dimension: $\phi 25\text{mm}$
- Height: 15mm
- Resolution: 131072
- SSI interface



MICROTECH LABORATORY INC.

MAS-18 series

[Absolute]

- Outside dimension: $\Phi 25\text{mm} \times \text{Height: } 15\text{mm}$
17-Bit absolute encoder
- Resolution: 131072, SSI interface

NEW



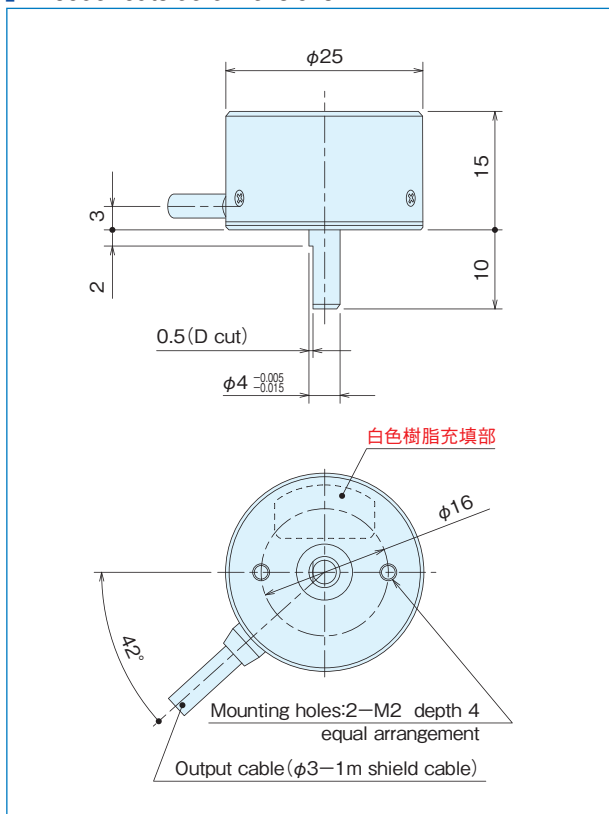
Encoder specifications

Item	Type name	MAS-18-131072N1
Supply voltage		DC5V $\pm 5\%$
Current consumption		80mA or less (under no load)
Resolution		131072, 65536, 32768
Allowable revolutions		6000rpm
Allowable load of shaft (electrical)	Radial	1.9N (200gf)
	Thrust	1.9N (200gf)
Working temperature/humidity		$-10^{\circ}\text{C} \sim +70^{\circ}\text{C}$ / RH35% $\sim 90\%$
Storage temperature		$-20^{\circ}\text{C} \sim +80^{\circ}\text{C}$
Vibration resistance		Durability 55Hz, double amplitude 1.5mm 2 hours each in X, Y, and Z directions
Impact resistance		Durability 500m/s^2 (about 50G) 3 times each in X, Y, and Z directions
Cable		Outside diameter $\phi 3$ —8-core vinyl wire Insulated shield cable AWG30 (length 1m)
Mass		40g

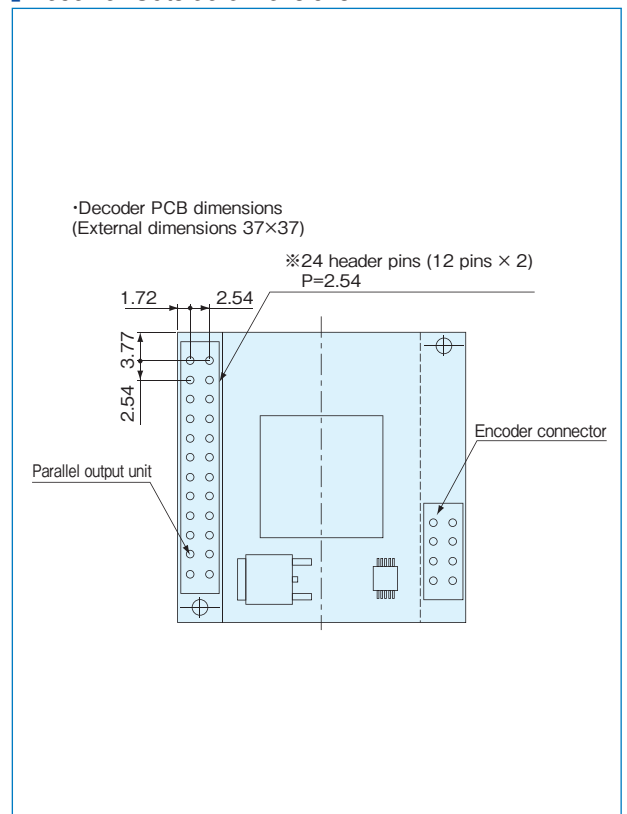
Receiver Specifications (■37×37 PCB)

Item	Type name	MMS-DECODER
Supply voltage		DC5V $\pm 5\%$
Current consumption		60mA or less (140mA or less including encoder)
Parallel data update cycle		$60\mu\text{s}$ (16.7kHz)
Output circuit		NPN open collector output (when using parallel output)
Output capacity		Sink current 20mA max. Load voltage 35Vmax. Residual voltage 0.4V or less
Logic		Negative logic (H=0, L=1)
Connection		Power supply and parallel signal output by P=2.54 header pins (see diagram below)

Encoder outside dimensions



Receiver Outside dimensions



MICROTECH LABORATORY INC.

Head office: 8-1-46 Honcho, Kamitsuruma, minami-ku Sagami-hara-shi Kanagawa 252-0318, Japan PHONE 81-42-746-0123 FAX 81-42-746-0960 E-mail: mtl@mtl.co.jp

<http://www.mtl.co.jp/liste/indexe.html>