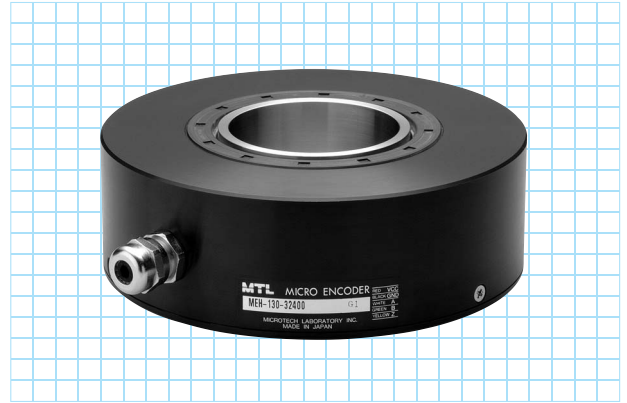


MEH-130-P series

[Square Wave/Incremental]



Specifications

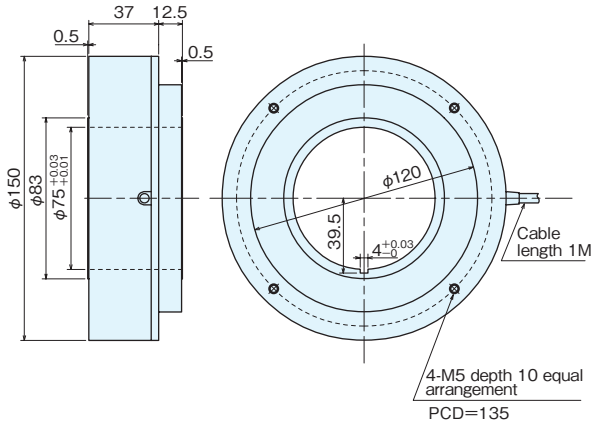
Type name		MEH-130- <input type="checkbox"/> P <input type="checkbox"/>		
Item		Pulse number Output circuit ●No entry=voltage output ●C=open collector output ●E=line driver output ●S=sine wave output ●ST <input type="checkbox"/> (2·4·5·8·10·16·20)		
		Square wave	Built-in multiplication circuit (x2·x4·x5·x8·x10·x16·x20)	
Supply voltage		Voltage/Open collector:DC5V-5%~12V+10% Open collector DC24V:DC24V±10% Line driver:DC5V±5%	Voltage:DC5V-5%~12V+10% Open collector:DC5V-5%~24V+10% Line driver:DC5V±5%	
Current consumption		1,024 pulse or less 60mA or less 4,500 pulse or more 100mA or less (under no load)	150mA or less (under no load)	
Detection system		Incremental	Incremental	
Output	Output pulse number (Standard) [Pulse number/rotation]	360 512 600 1,024 4,500	5,000 9,000 11,250(*) 20,250(*) 25,000(*)	28,125(*) 32,400(*) 36,000(*)
	Output phase	A, B, Z phase		
	Output form	Square wave		
	Output capacity	Sink current:20mA Residual voltage:0.5V or less (at 10mA)		
	Maximum response frequency (response pulse number)	100kHz		
	Output phase difference	A, B phase difference 90°±45° (T/4±T/8) Z phase T±T/2 (see Output Waveform)		
	Waveform rise/fall time	2μs or less (output cable 1m or less)		
Allowable load of shaft (electrical)	Radial	19.6N (2kgf)		
	Thrust	9.8N (1kgf)		
Maximum allowable revolutions (mechanical)	1,000r/min		1,000r/min	
Working ambient temperature/humidity	0°C~60°C RH35%~90% no dewing		0°C~60°C RH35%~90% no dewing	
Storing ambient temperature	-20°C~80°C		-20°C~80°C	
Vibration resistance	Durability 55Hz, double amplitude 1.5mm 2 hours each in X, Y, and Z directions		Durability 55Hz, double amplitude 1.5mm 2 hours each in X, Y, and Z directions	
Impact resistance	Durability 500m/s ² (about 50G) 3 times each in X, Y, and Z directions		Durability 500m/s ² (about 50G) 3 times each in X, Y, and Z directions	
Cable	Outside diameter φ4.2 vinyl wire (1024P/R or less) Outside diameter φ6.5 (14-core) vinyl wire (4500P/R or more) Insulated shield cable (length 1m)		Outside diameter φ6.5 14-core vinyl wire Insulated shield cable (length 1m)	
Mass	3kg		3kg	

※Handled by built-in multiplier circuit

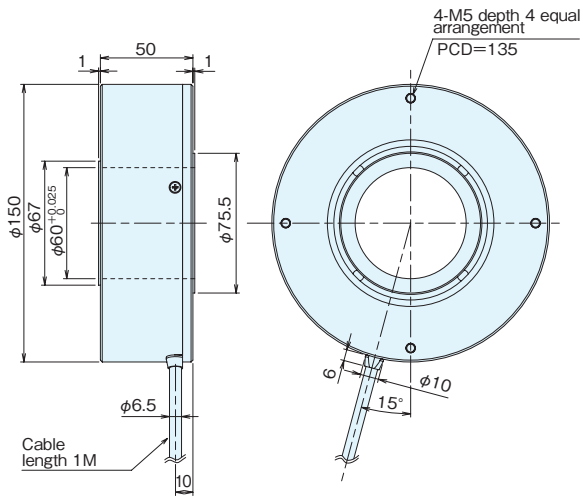
Outside dimensions

MEH-130-P

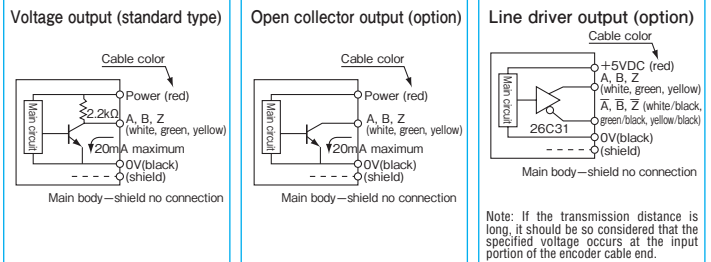
※1,024 pulse or less



**MEH-130-P (4,500 pulse or more)
MEH-130-PS, MEH-130-PST**

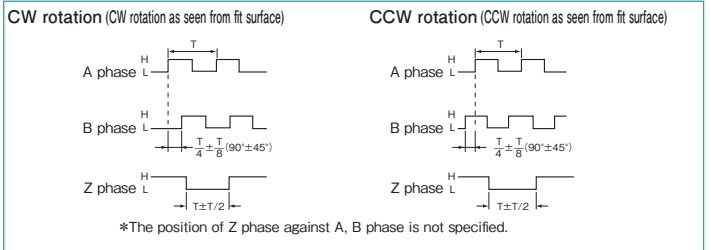


Output circuit diagram

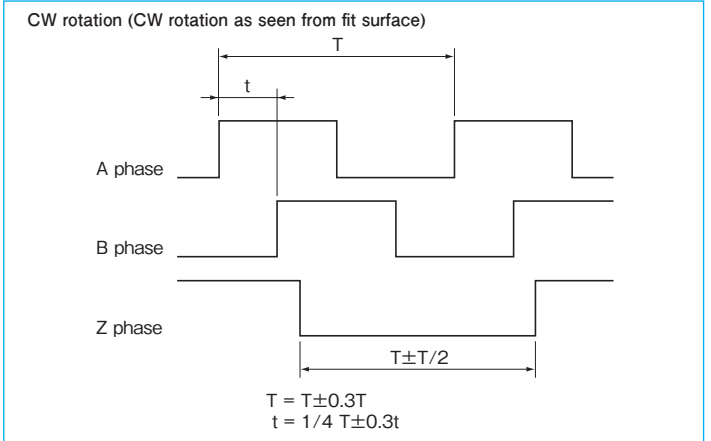


A capacitor (0.1μF) is connected between 0V and FG (frame ground).

Output waveform (Square wave)



Output waveform / Built-in multiplication circuit (x2·x4·x5·x8·x10·x16·x20)



Spring flange MEH-130 (Option)

