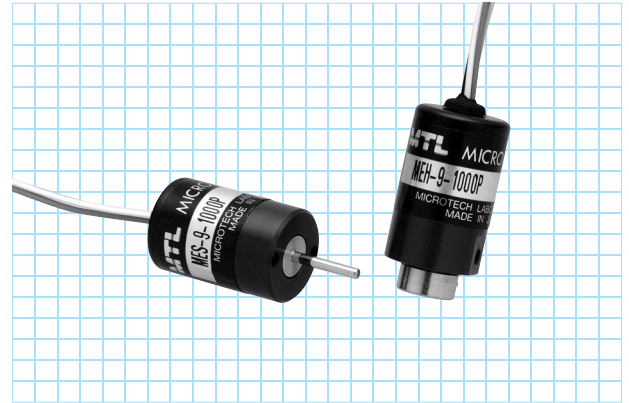


ME-9-P series

[Square Wave/Incremental]



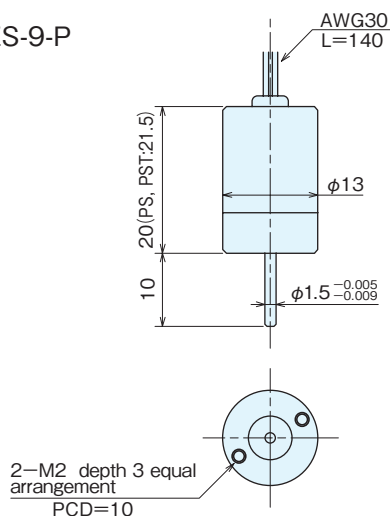
Specifications

Type name		ME□-9-□P□			
Item	Shaft shape		Output circuit		
	●S=single shaft	●H=hollow shaft	●Noentry=Voltage output ●C=open collector output ●E=line driver output		
		Pulse number	●S=sine wave output ●ST□(2·4·8·16)		
		Square wave			
		Built-in multiplication circuit (×2·×4·×8·×16)			
Supply voltage	DC5V ±10%		DC5V ±5%		
Current consumption	40mA or less (under no load)		50mA or less (under no load)		
Detection system	Incremental		Incremental		
Output	Output pulse number (Standard) [Pulse number/rotation]	32 100 200 256	300 360 500	900(※) 1,000(※) 1,024	
	Output phase	A, B, Z phase (Z="H")		A, B, Z phase	
	Output form	Square wave		Square wave	
	Output capacity	Sink current:20mA Residual voltage:0.5V or less (at 10mA) Open collector output:Load voltage DC13.2V max		Sink current:20mA max. Residual voltage:0.5V or less (at 10mA) Open collector output:Load voltage DC13.2V max	
	Maximum response frequency (response pulse number)	100kHz		Open collector output:100kHz Line driver output:50kHz× (by multiplication)	
	Output phase difference	A, B phase difference 90°±45° (T/4±T/8) Z phase T±T/2 (see Output Waveform)		Refer to the figure on the right	
	Waveform rise/fall time	2μs or less (output cable 140mm or less)		1μs or less (output cable 140mm or less)	
	Allowable load of shaft (electrical)	Radial	1.9N(200gf)	0.98N(100gf)	0.98N(100gf)
		Thrust	1.9N(200gf)	0.98N(100gf)	0.98N(100gf)
	Maximum allowable revolutions (mechanical)	6,000r/min		6,000r/min	
Working ambient temperature/humidity	0°C~60°C RH35%~90% no dewing		0°C~60°C RH35%~90% no dewing		
Storing ambient temperature	-20°C~80°C		-20°C~80°C		
Vibration resistance	Durability 55Hz, double amplitude 1.5mm 2 hours each in X, Y, and Z directions		Durability 55Hz, double amplitude 1.5mm 2 hours each in X, Y, and Z directions		
Impact resistance	Durability 500m/s ² (about 50G) 3 times each in X, Y, and Z directions		Durability 500m/s ² (about 50G) 3 times each in X, Y, and Z directions		
Cable	Voltage·Open collector:Vinyl wire(AWG30) Cable length 140mm Line driver·Vinyl wire(AWG32) Cable length 330±10mm		Open collector:Vinyl wire(AWG30) Cable length 140mm Line driver·Vinyl wire(AWG32) Cable length 330±10mm		
Mass	10g		20g		

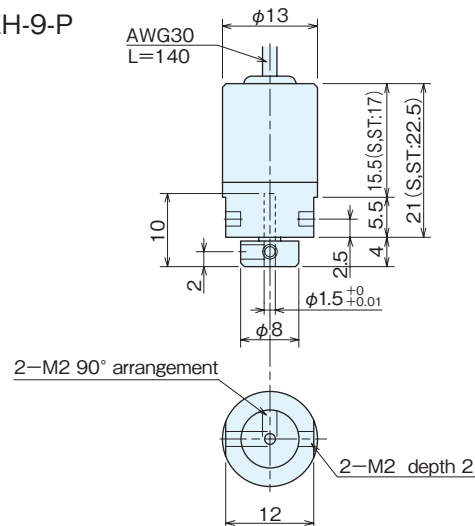
※Handled by built-in multiplier circuit

Outside dimensions

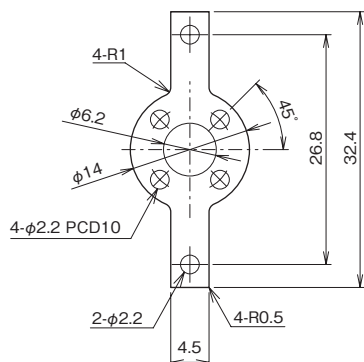
MES-9-P



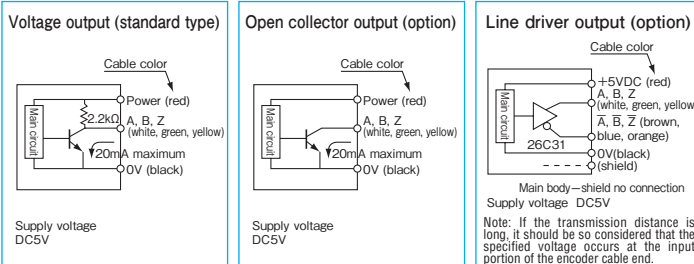
MEH-9-P



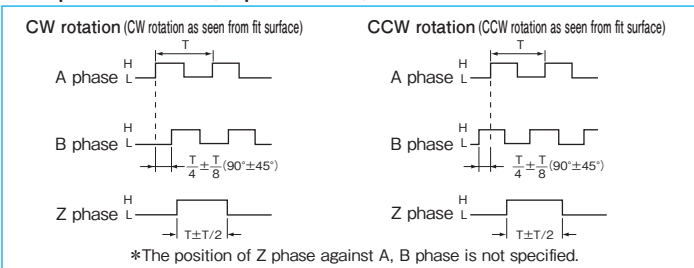
Spring flange MEH-9 (Included)



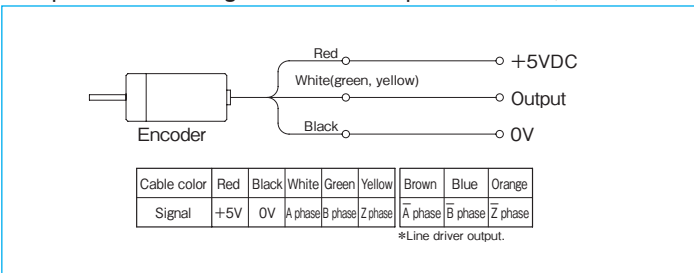
Output circuit diagram (Square wave)



Output waveform (Square wave)



Output connection diagram / Built-in multiplication circuit (x2·x4·x8·x16)



Output waveform / Built-in multiplication circuit (x2·x4·x8·x16)

