

## PD4-C/CB series

### Software



### Pin configuration PD4-C/-CB

X1 4 pin	
CONNECTOR/PIN	FUNCTION
1	GND
2	Analog input (0-10 V)
3	Output (open drain)
4	+12 V (voltage output, max. 100 mA)

X2 10 pin	
CONNECTOR/PIN	FUNCTION
1	Input1 (+24 V)
2	Input2 (+24 V)
3	Input3 (+24 V)
4	-Enable +5/+24 V
5	Enable +5/+24 V
6	-Direction +5/+24 V
7	Direction +5/+24 V
8	-Clock +5/+24 V
9	Clock +5/+24 V
10	GND

X3 2 pin	
CONNECTOR/PIN	FUNCTION
1	+Vcc
2	GND

### Pin configuration PD4-C-CAN/CB-CAN

X1 4 pin	
CONNECTOR/PIN	FUNCTION
1	+UB external
2	CAN+
3	CAN-
4	GND

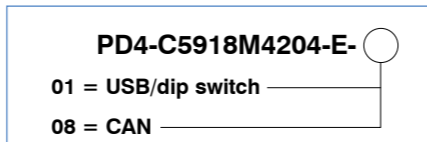
  

X2 10 pin	
CONNECTOR/PIN	FUNCTION
1	GND
2	Analog input (0-10 V)
3	+12 V (voltage output, max. 100 mA)
4	Output1 (open drain)
5	Output2 (open drain)
6	Input1 (+5/+24 V)
7	Input2 (+5/+24 V)
8	Input3 (+5/+24 V)
9	Input4 (+5/+24 V)
10	GND

X3 2 pin	
CONNECTOR/PIN	FUNCTION
1	+Vcc
2	GND

### Order identifier



### Technical data of motor

Version:	PD4-C	PD4-CB
Type:	High-pole DC servo (stepper motor)	Low-pole DC servo (BLDC)
Operating voltage:	12-48 V	12-24 V
Phase current eff.	4,2 A	8 A
RMS for 1S:	Max. 6,3 A	Max. 20 A

### Technical data of I/O

Version:	01(USB)	08(CAN)
Operating types:	Torque, speed, position, homing	
Target value specification/programming:	Clock-direction, analog input, V2, USB	CANopen, analog input, CANopen
Inputs:	Single/differential Clock/direction/enable (+5 V/+24 V), 3 digital inputs (+24 V) 1 analog input (0-10 V)	4 digital input (+5 V/+24 V), 1 analog input (0-10 V)
Outputs:	1 output, max. 0.5 A, open drain	2 outputs, max. 0.5 A, open drain

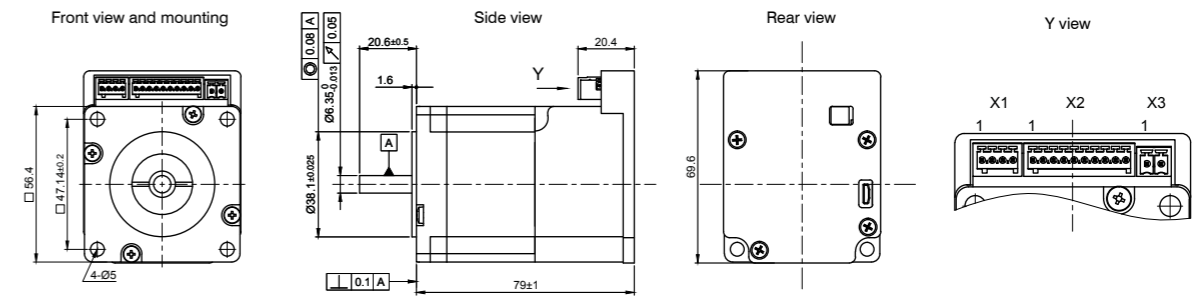
**Integrated encoder:** single turn, magnetic absolute encoder, 1024 CPR

### Available versions (others on request)

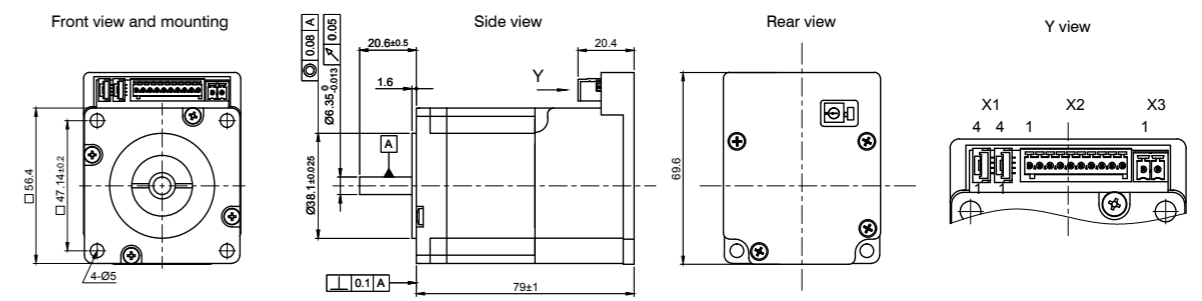
Type	Holding torque Ncm	Nom./peak torque Ncm	Nominal Speed (rpm)	Length mm	Weight kg
PD4-C5918M4204-E-01/-08	110			79	0,8
PD4-C6018L4204-E-01/-08	350			112,5	1,5
PD4-CB59M024035-E-01	370	37 (110)	3500	95	0,9

### Dimension image (in mm)

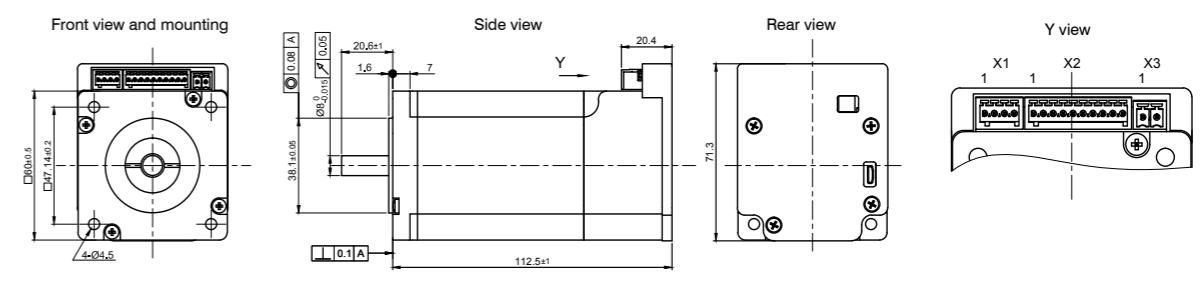
#### PD4-C5918M4204-E-01



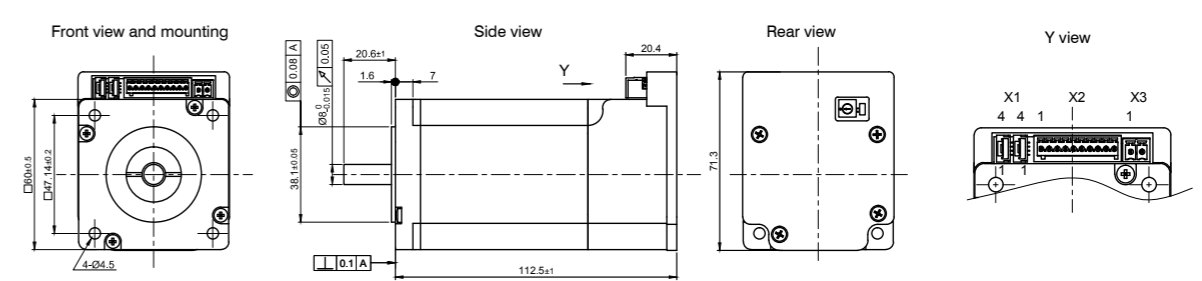
#### PD4-C5918M4204-E-08



#### PD4-C6018L4204-E-01



#### PD4-C6018L4204-E-08



#### PD4-CB59M024035-E-01

